



Is Now Part of



**ON Semiconductor®**

To learn more about ON Semiconductor, please visit our website at  
[www.onsemi.com](http://www.onsemi.com)

ON Semiconductor and the ON Semiconductor logo are trademarks of Semiconductor Components Industries, LLC dba ON Semiconductor or its subsidiaries in the United States and/or other countries. ON Semiconductor owns the rights to a number of patents, trademarks, copyrights, trade secrets, and other intellectual property. A listing of ON Semiconductor's product/patent coverage may be accessed at [www.onsemi.com/site/pdf/Patent-Marking.pdf](http://www.onsemi.com/site/pdf/Patent-Marking.pdf). ON Semiconductor reserves the right to make changes without further notice to any products herein. ON Semiconductor makes no warranty, representation or guarantee regarding the suitability of its products for any particular purpose, nor does ON Semiconductor assume any liability arising out of the application or use of any product or circuit, and specifically disclaims any and all liability, including without limitation special, consequential or incidental damages. Buyer is responsible for its products and applications using ON Semiconductor products, including compliance with all laws, regulations and safety requirements or standards, regardless of any support or applications information provided by ON Semiconductor. "Typical" parameters which may be provided in ON Semiconductor data sheets and/or specifications can and do vary in different applications and actual performance may vary over time. All operating parameters, including "Typicals" must be validated for each customer application by customer's technical experts. ON Semiconductor does not convey any license under its patent rights nor the rights of others. ON Semiconductor products are not designed, intended, or authorized for use as a critical component in life support systems or any FDA Class 3 medical devices or medical devices with a same or similar classification in a foreign jurisdiction or any devices intended for implantation in the human body. Should Buyer purchase or use ON Semiconductor products for any such unintended or unauthorized application, Buyer shall indemnify and hold ON Semiconductor and its officers, employees, subsidiaries, affiliates, and distributors harmless against all claims, costs, damages, and expenses, and reasonable attorney fees arising out of, directly or indirectly, any claim of personal injury or death associated with such unintended or unauthorized use, even if such claim alleges that ON Semiconductor was negligent regarding the design or manufacture of the part. ON Semiconductor is an Equal Opportunity/Affirmative Action Employer. This literature is subject to all applicable copyright laws and is not for resale in any manner.

## 74LVT16373 • 74LVTH16373

### Low Voltage 16-Bit Transparent Latch with 3-STATE Outputs

#### General Description

The LVT16373 and LVTH16373 contain sixteen non-inverting latches with 3-STATE outputs and is intended for bus oriented applications. The device is byte controlled. The flip-flops appear transparent to the data when the Latch Enable (LE) is HIGH. When LE is LOW, the data that meets the setup time is latched. Data appears on the bus when the Output Enable ( $\overline{OE}$ ) is LOW. When  $\overline{OE}$  is HIGH, the outputs are in a high impedance state.

The LVTH16373 data inputs include bushold, eliminating the need for external pull-up resistors to hold unused inputs.

These latches are designed for low-voltage (3.3V)  $V_{CC}$  applications, but with the capability to provide a TTL interface to a 5V environment. The LVT16373 and LVTH16373 are fabricated with an advanced BiCMOS technology to achieve high speed operation similar to 5V ABT while maintaining a low power dissipation.

#### Features

- Input and output interface capability to systems at 5V  $V_{CC}$
- Bushold data inputs eliminate the need for external pull-up resistors to hold unused inputs (74LVTH16373), also available without bushold feature (74LVT16373)
- Live insertion/extraction permitted
- Power Up/Power Down high impedance provides glitch-free bus loading
- Outputs source/sink -32 mA/+64 mA
- Functionally compatible with the 74 series 16373
- Latch-up performance exceeds 500 mA
- ESD performance:
  - Human-body model > 2000V
  - Machine model > 200V
  - Charged-device model > 1000V
- Also packaged in plastic Fine-Pitch Ball Grid Array (FBGA) (Preliminary)

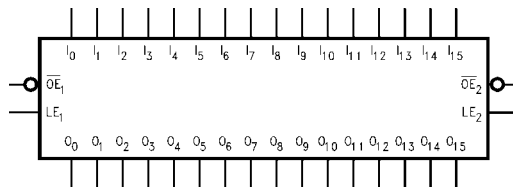
#### Ordering Code:

| Order Number               | Package Number          | Package Description   |
|----------------------------|-------------------------|---|
| 74LVT16373GX<br>(Note 1)   | BGA54A<br>(Preliminary) | 54-Ball Fine-Pitch Ball Grid Array (FBGA), JEDEC MO-205, 5.5mm Wide [TAPE and REEL] |
| 74LVT16373MEA<br>(Note 2)  | MS48A                   | 48-Lead Small Shrink Outline Package (SSOP), JEDEC MO-118, 0.300" Wide              |
| 74LVT16373MTD<br>(Note 2)  | MTD48                   | 48-Lead Thin Shrink Small Outline Package (TSSOP), JEDEC MO-153, 6.1mm Wide         |
| 74LVTH16373GX<br>(Note 1)  | BGA54A<br>(Preliminary) | 54-Ball Fine-Pitch Ball Grid Array (FBGA), JEDEC MO-205, 5.5mm Wide [TAPE and REEL] |
| 74LVTH16373MEA<br>(Note 2) | MS48A                   | 48-Lead Small Shrink Outline Package (SSOP), JEDEC MO-118, 0.300" Wide              |
| 74LVTH16373MTD<br>(Note 2) | MTD48                   | 48-Lead Thin Shrink Small Outline Package (TSSOP), JEDEC MO-153, 6.1mm Wide         |

**Note 1:** BGA package available in Tape and Reel only.

**Note 2:** Device also available in Tape and Reel. Specify by appending suffix letter "X" to the ordering code.

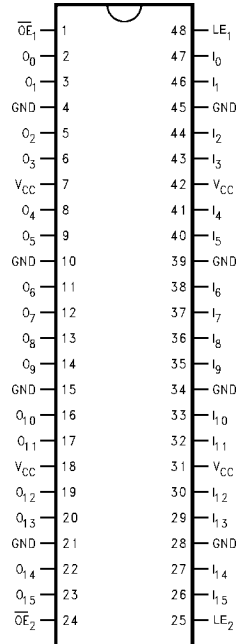
#### Logic Symbol



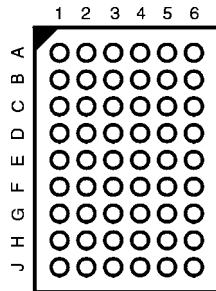
74LVT16373 • 74LVTH16373 Low Voltage 16-Bit Transparent Latch with 3-STATE Outputs

## Connection Diagrams

Pin Assignment for SSOP and TSSOP



Pin Assignment for FBGA



(Top Thru View)

## Pin Descriptions

| Pin Names         | Description                      |
|-------------------|----------------------------------|
| $\overline{OE}_n$ | Output Enable Input (Active LOW) |
| $LE_n$            | Latch Enable Input               |
| $I_0-I_{15}$      | Inputs                           |
| $O_0-O_{15}$      | 3-STATE Outputs                  |
| NC                | No Connect                       |

## FBGA Pin Assignments

|          | 1        | 2        | 3                 | 4        | 5        | 6        |
|----------|----------|----------|-------------------|----------|----------|----------|
| <b>A</b> | $O_0$    | NC       | $\overline{OE}_1$ | $LE_1$   | NC       | $I_0$    |
| <b>B</b> | $O_2$    | $O_1$    | NC                | NC       | $I_1$    | $I_2$    |
| <b>C</b> | $O_4$    | $O_3$    | $V_{CC}$          | $V_{CC}$ | $I_3$    | $I_4$    |
| <b>D</b> | $O_6$    | $O_5$    | GND               | GND      | $I_5$    | $I_6$    |
| <b>E</b> | $O_8$    | $O_7$    | GND               | GND      | $I_7$    | $I_8$    |
| <b>F</b> | $O_{10}$ | $O_9$    | GND               | GND      | $I_9$    | $I_{10}$ |
| <b>G</b> | $O_{12}$ | $O_{11}$ | $V_{CC}$          | $V_{CC}$ | $I_{11}$ | $I_{12}$ |
| <b>H</b> | $O_{14}$ | $O_{13}$ | NC                | NC       | $I_{13}$ | $I_{14}$ |
| <b>J</b> | $O_{15}$ | NC       | $\overline{OE}_2$ | $LE_2$   | NC       | $I_{15}$ |

## Truth Tables

| Inputs |                   |           | Outputs   |
|--------|-------------------|-----------|-----------|
| $LE_1$ | $\overline{OE}_1$ | $I_0-I_7$ | $O_0-O_7$ |
| X      | H                 | X         | Z         |
| H      | L                 | L         | L         |
| H      | L                 | H         | H         |
| L      | L                 | X         | $O_0$     |

| Inputs |                   |              | Outputs      |
|--------|-------------------|--------------|--------------|
| $LE_2$ | $\overline{OE}_2$ | $I_8-I_{15}$ | $O_8-O_{15}$ |
| X      | H                 | X            | Z            |
| H      | L                 | L            | L            |
| H      | L                 | H            | H            |
| L      | L                 | X            | $O_0$        |

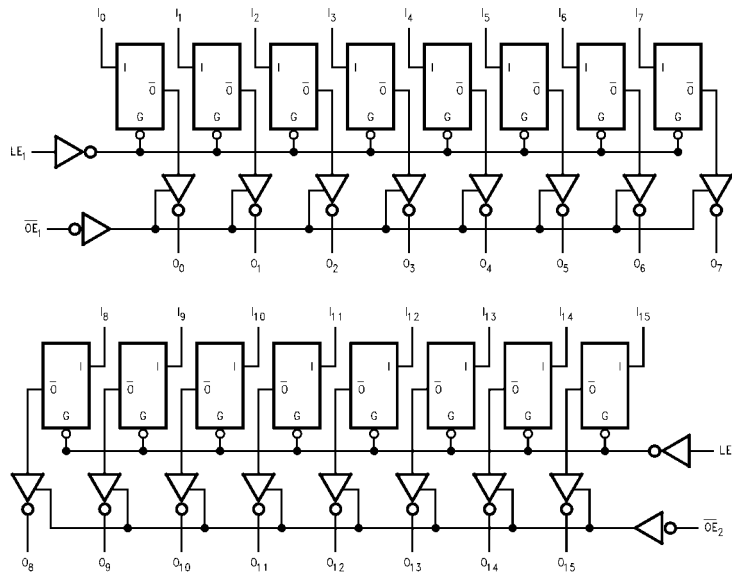
H = HIGH Voltage Level  
 L = LOW Voltage Level  
 X = Immaterial  
 Z = HIGH Impedance  
 $O_0$  = Previous output prior to HIGH-to-LOW transition of LE

## Functional Description

The LVT16373 and LVTH16373 contain sixteen D-type latches with 3-STATE standard outputs. The device is byte controlled with each byte functioning identically, but independent of the other. Control pins can be shorted together to obtain full 16-bit operation. The following description applies to each byte. When the Latch Enable ( $LE_n$ ) input is HIGH, data on the  $D_n$  enters the latches. In this condition the latches are transparent, i.e., a latch output will change states each time its D input changes. When  $LE_n$  is LOW,

the latches store information that was present on the D inputs a setup time preceding the HIGH-to-LOW transition of  $LE_n$ . The 3-STATE standard outputs are controlled by the Output Enable ( $\overline{OE}_n$ ) input. When  $\overline{OE}_n$  is LOW, the standard outputs are in the 2-state mode. When  $\overline{OE}_n$  is HIGH, the standard outputs are in the high impedance mode but this does not interfere with entering new data into the latches.

## Logic Diagrams



Please note that these diagrams are provided only for the understanding of logic operations and should not be used to estimate propagation delays.

| Absolute Maximum Ratings (Note 3) |                                  |              |                                      |  |             |
|-----------------------------------|----------------------------------|--------------|--------------------------------------|--|-------------|
| Symbol                            | Parameter                        | Value        | Conditions                           |  | Units       |
| $V_{CC}$                          | Supply Voltage                   | -0.5 to +4.6 |                                      |  | V           |
| $V_I$                             | DC Input Voltage                 | -0.5 to +7.0 |                                      |  | V           |
| $V_O$                             | DC Output Voltage                | -0.5 to +7.0 | Output in 3-STATE                    |  | V           |
|                                   |                                  | -0.5 to +7.0 | Output in HIGH or LOW State (Note 4) |  |             |
| $I_{IK}$                          | DC Input Diode Current           | -50          | $V_I < GND$                          |  | mA          |
| $I_{OK}$                          | DC Output Diode Current          | -50          | $V_O < GND$                          |  | mA          |
| $I_O$                             | DC Output Current                | 64           | $V_O > V_{CC}$ Output at HIGH State  |  | mA          |
|                                   |                                  | 128          | $V_O > V_{CC}$ Output at LOW State   |  |             |
| $I_{CC}$                          | DC Supply Current per Supply Pin | $\pm 64$     |                                      |  | mA          |
| $I_{GND}$                         | DC Ground Current per Ground Pin | $\pm 128$    |                                      |  | mA          |
| $T_{STG}$                         | Storage Temperature              | -65 to +150  |                                      |  | $^{\circ}C$ |

| Recommended Operating Conditions |   |     |     |             |  |
|----------------------------------|---|-----|-----|-------------|--|
| Symbol                           | Parameter   | Min | Max | Units       |  |
| $V_{CC}$                         | Supply Voltage  | 2.7 | 3.6 | V           |  |
| $V_I$                            | Input Voltage   | 0   | 5.5 | V           |  |
| $I_{OH}$                         | HIGH Level Output Current                               |     | -32 | mA          |  |
| $I_{OL}$                         | LOW Level Output Current                                |     | 64  | mA          |  |
| $T_A$                            | Free-Air Operating Temperature                          | -40 | 85  | $^{\circ}C$ |  |
| $\Delta t/\Delta V$              | Input Edge Rate, $V_{IN} = 0.8V-2.0V$ , $V_{CC} = 3.0V$ | 0   | 10  | ns/V        |  |

**Note 3:** Absolute Maximum continuous ratings are those values beyond which damage to the device may occur. Exposure to these conditions or conditions beyond those indicated may adversely affect device reliability. Functional operation under absolute maximum rated conditions is not implied.

**Note 4:**  $I_O$  Absolute Maximum Rating must be observed.

### DC Electrical Characteristics

| Symbol                    | Parameter  | $V_{CC}$<br>(V) | $T_A = -40^{\circ}C$ to $+85^{\circ}C$ |           | Units   | Conditions  |                        |
|---------------------------|--|-----------------|--|-----------|---------|---|------------------------|
|                           |  |                 | Min                                    | Max       |         |   |                        |
| $V_{IK}$                  | Input Clamp Diode Voltage                        | 2.7             |  | -1.2      | V       | $I_I = -18$ mA                                    |                        |
| $V_{IH}$                  | Input HIGH Voltage                               | 2.7-3.6         | 2.0                                    |           | V       | $V_O \leq 0.1V$ or<br>$V_O \geq V_{CC} - 0.1V$    |                        |
| $V_{IL}$                  | Input LOW Voltage                                | 2.7-3.6         |  | 0.8       | V       |   |                        |
| $V_{OH}$                  | Output HIGH Voltage                              | 2.7-3.6         | $V_{CC} - 0.2$                         |           | V       | $I_{OH} = -100$ $\mu A$                           |                        |
|                           |  | 2.7             | 2.4                                    |           |         | $I_{OH} = -8$ mA                                  |                        |
|                           |  | 3.0             | 2.0                                    |           |         | $I_{OH} = -32$ mA                                 |                        |
| $V_{OL}$                  | Output LOW Voltage                               | 2.7             |  | 0.2       | V       | $I_{OL} = 100$ $\mu A$                            |                        |
|                           |  | 2.7             |  | 0.5       |         | $I_{OL} = 24$ mA                                  |                        |
|                           |  | 3.0             |  | 0.4       |         | $I_{OL} = 16$ mA                                  |                        |
|                           |  | 3.0             |  | 0.5       |         | $I_{OL} = 32$ mA                                  |                        |
|                           |  | 3.0             |  | 0.55      |         | $I_{OL} = 64$ mA                                  |                        |
| $I_{I(HOLD)}$<br>(Note 5) | Bushold Input Minimum Drive                      | 3.0             | 75                                     |           | $\mu A$ | $V_I = 0.8V$                                      |                        |
|                           |  |                 | -75                                    |           |         | $V_I = 2.0V$                                      |                        |
| $I_{I(OD)}$<br>(Note 5)   | Bushold Input Over-Drive Current to Change State | 3.0             | 500                                    |           | $\mu A$ | (Note 6)  |                        |
|                           |  |                 | -500                                   |           |         | (Note 7)  |                        |
| $I_I$                     | Input Current                                    | 3.6             |  | 10        | $\mu A$ | $V_I = 5.5V$                                      |                        |
|                           |  | Control Pins    | 3.6                                    |           |         | $\pm 1$   | $V_I = 0V$ or $V_{CC}$ |
|                           |  |                 | Data Pins                              | 3.6       |         |   | -5                     |
|                           |  |                 |  | 1         |         | $V_I = V_{CC}$                                    |                        |
| $I_{OFF}$                 | Power Off Leakage Current                        | 0               |  | $\pm 100$ | $\mu A$ | $0V \leq V_I$ or $V_O \leq 5.5V$                  |                        |
| $I_{PU/PD}$               | Power Up/Down 3-STATE Output Current             | 0-1.5V          |  | $\pm 100$ | $\mu A$ | $V_O = 0.5V$ to $3.0V$<br>$V_I = GND$ or $V_{CC}$ |                        |
| $I_{OZL}$                 | 3-STATE Output Leakage Current                   | 3.6             |  | -5        | $\mu A$ | $V_O = 0.5V$                                      |                        |
| $I_{OZH}$                 | 3-STATE Output Leakage Current                   | 3.6             |  | 5         | $\mu A$ | $V_O = 3.0V$                                      |                        |
| $I_{OZH+}$                | 3-STATE Output Leakage Current                   | 3.6             |  | 10        | $\mu A$ | $V_{CC} < V_O \leq 5.5V$                          |                        |

**DC Electrical Characteristics** (Continued)

| Symbol                        | Parameter                                    | V <sub>CC</sub><br>(V) | T <sub>A</sub> = -40°C to +85°C |      | Units | Conditions  |
|-------------------------------|--|------------------------|---------------------------------|------|-------|---|
|                               |  |                        | Min                             | Max  |       |   |
| I <sub>CCH</sub>              | Power Supply Current                         | 3.6                    |                                 | 0.19 | mA    | Outputs HIGH  |
| I <sub>CCL</sub>              | Power Supply Current                         | 3.6                    |                                 | 5    | mA    | Outputs LOW   |
| I <sub>CCZ</sub>              | Power Supply Current                         | 3.6                    |                                 | 0.19 | mA    | Outputs Disabled  |
| I <sub>CCZ</sub> <sup>†</sup> | Power Supply Current                         | 3.6                    |                                 | 0.19 | mA    | V <sub>CC</sub> ≤ V <sub>O</sub> ≤ 5.5V,<br>Outputs Disabled                  |
| ΔI <sub>CC</sub>              | Increase in Power Supply Current<br>(Note 8) | 3.6                    |                                 | 0.2  | mA    | One Input at V <sub>CC</sub> - 0.6V<br>Other Inputs at V <sub>CC</sub> or GND |

**Note 5:** Applies to bushold versions only (74LVTH16373).

**Note 6:** An external driver must source at least the specified current to switch from LOW-to-HIGH.

**Note 7:** An external driver must sink at least the specified current to switch from HIGH-to-LOW.

**Note 8:** This is the increase in supply current for each input that is at the specified voltage level rather than V<sub>CC</sub> or GND.

**Dynamic Switching Characteristics** (Note 9)

| Symbol           | Parameter                                    | V <sub>CC</sub><br>(V) | T <sub>A</sub> = 25°C |      |     | Units | Conditions<br>C <sub>L</sub> = 50 pF, R <sub>L</sub> = 500Ω |
|------------------|--|------------------------|-----------------------|------|-----|-------|---|
|                  |  |                        | Min                   | Typ  | Max |       |   |
| V <sub>OLP</sub> | Quiet Output Maximum Dynamic V <sub>OL</sub> | 3.3                    |                       | 0.8  |     | V     | (Note 10)   |
| V <sub>OLV</sub> | Quiet Output Minimum Dynamic V <sub>OL</sub> | 3.3                    |                       | -0.8 |     | V     | (Note 10)   |

**Note 9:** Characterized in SSOP package. Guaranteed parameter, but not tested.

**Note 10:** Max number of outputs defined as (n). n-1 data inputs are driven 0V to 3V. Output under test held LOW.

**AC Electrical Characteristics**

| Symbol            | Parameter   | T <sub>A</sub> = -40°C to +85°C, C <sub>L</sub> = 50pF, R <sub>L</sub> = 500Ω |     |                        |     | Units |
|-------------------|---|---|-----|------------------------|-----|-------|
|                   |   | V <sub>CC</sub> = 3.3V ± 0.3V   |     | V <sub>CC</sub> = 2.7V |     |       |
|                   |   | Min   | Max | Min                    | Max |       |
| t <sub>PHL</sub>  | Propagation Delay<br>D <sub>n</sub> to O <sub>n</sub> | 1.5   | 3.9 | 1.5                    | 4.3 | ns    |
| t <sub>PLH</sub>  | Propagation Delay<br>LE to O <sub>n</sub>             | 1.5   | 3.8 | 1.5                    | 4.2 |       |
| t <sub>PHL</sub>  | Propagation Delay<br>LE to O <sub>n</sub>             | 1.9   | 4.2 | 1.9                    | 4.4 | ns    |
| t <sub>PLH</sub>  | Propagation Delay<br>D <sub>n</sub> to O <sub>n</sub> | 1.6   | 4.3 | 1.6                    | 4.8 |       |
| t <sub>PZL</sub>  | Output Enable Time                                    | 1.3   | 4.3 | 1.3                    | 4.9 | ns    |
| t <sub>PZH</sub>  | Output Disable Time                                   | 1.0   | 4.3 | 1.0                    | 5.1 |       |
| t <sub>PLZ</sub>  | Output Enable Time                                    | 1.5   | 4.7 | 1.5                    | 4.8 | ns    |
| t <sub>PHZ</sub>  | Output Disable Time                                   | 2.0   | 5.0 | 2.0                    | 5.4 |       |
| t <sub>S</sub>    | Setup Time, D <sub>n</sub> to LE                      | 1.0   |     | 0.8                    |     | ns    |
| t <sub>H</sub>    | Hold Time, D <sub>n</sub> to LE                       | 1.0   |     | 1.1                    |     | ns    |
| t <sub>W</sub>    | LE Pulse Width  | 3.0   |     | 3.0                    |     | ns    |
| t <sub>OSHL</sub> | Output to Output Skew (Note 11)                       |   | 1.0 |                        | 1.0 | ns    |
| t <sub>OSLH</sub> | Output to Output Skew (Note 11)                       |   | 1.0 |                        | 1.0 |       |

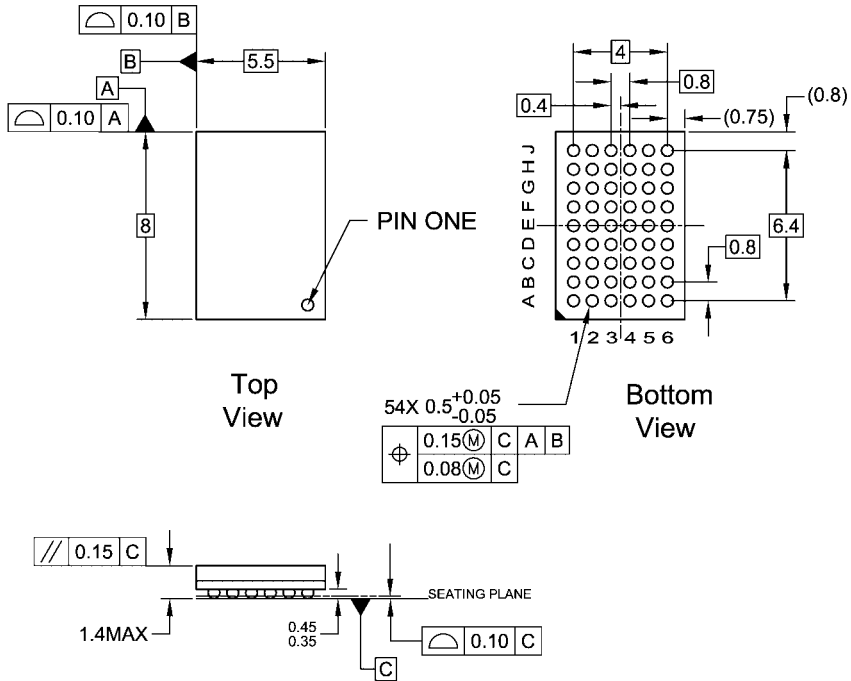
**Note 11:** Skew is defined as the absolute value of the difference between the actual propagation delay for any two separate outputs of the same device. The specification applies to any outputs switching in the same direction, either HIGH-to-LOW (t<sub>OSHL</sub>) or LOW-to-HIGH (t<sub>OSLH</sub>).

**Capacitance** (Note 12)

| Symbol           | Parameter          | Conditions   | Typical | Units |
|------------------|--------------------|--|---------|-------|
| C <sub>IN</sub>  | Input Capacitance  | V <sub>CC</sub> = Open, V <sub>I</sub> = 0V or V <sub>CC</sub> | 4       | pF    |
| C <sub>OUT</sub> | Output Capacitance | V <sub>CC</sub> = 3.0V, V <sub>O</sub> = 0V or V <sub>CC</sub> | 8       | pF    |

**Note 12:** Capacitance is measured at frequency f = 1 MHz, per MIL-STD-883, Method 3012.

**Physical Dimensions** inches (millimeters) unless otherwise noted



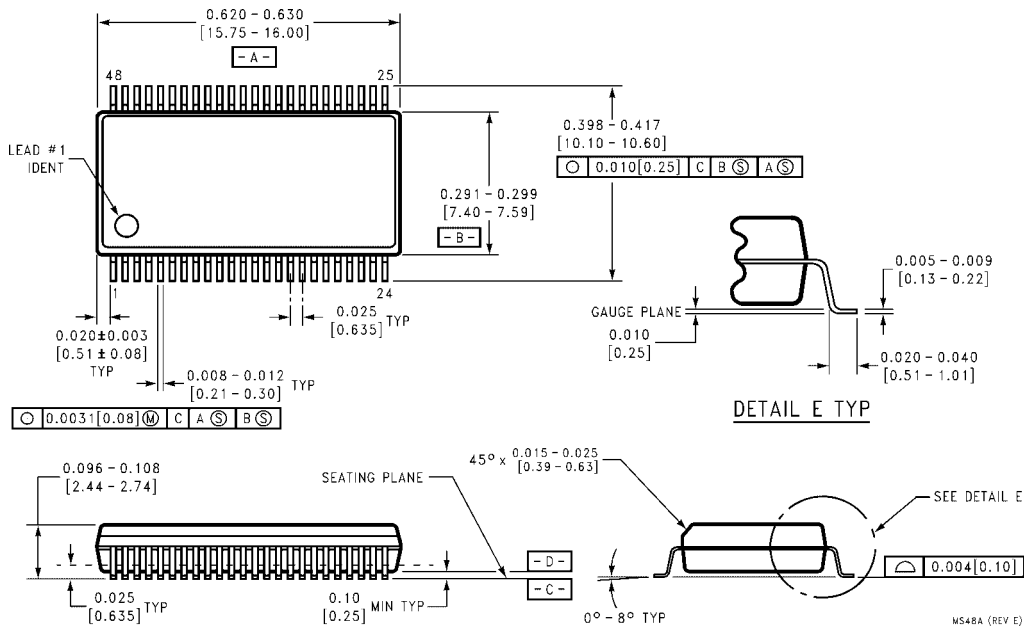
**NOTES:**

- A. THIS PACKAGE CONFORMS TO JEDEC M0-205
- B. ALL DIMENSIONS IN MILLIMETERS
- C. LAND PATTERN RECOMMENDATION: NSMD (Non Solder Mask Defined)  
.35MM DIA PADS WITH A SOLDERMASK OPENING OF .45MM CONCENTRIC TO PADS
- D. DRAWING CONFORMS TO ASME Y14.5M-1994

BGA54ArevD

**54-Ball Fine-Pitch Ball Grid Array (FBGA), JEDEC MO-205, 5.5mm Wide**  
**Package Number BGA54A**  
**Preliminary**

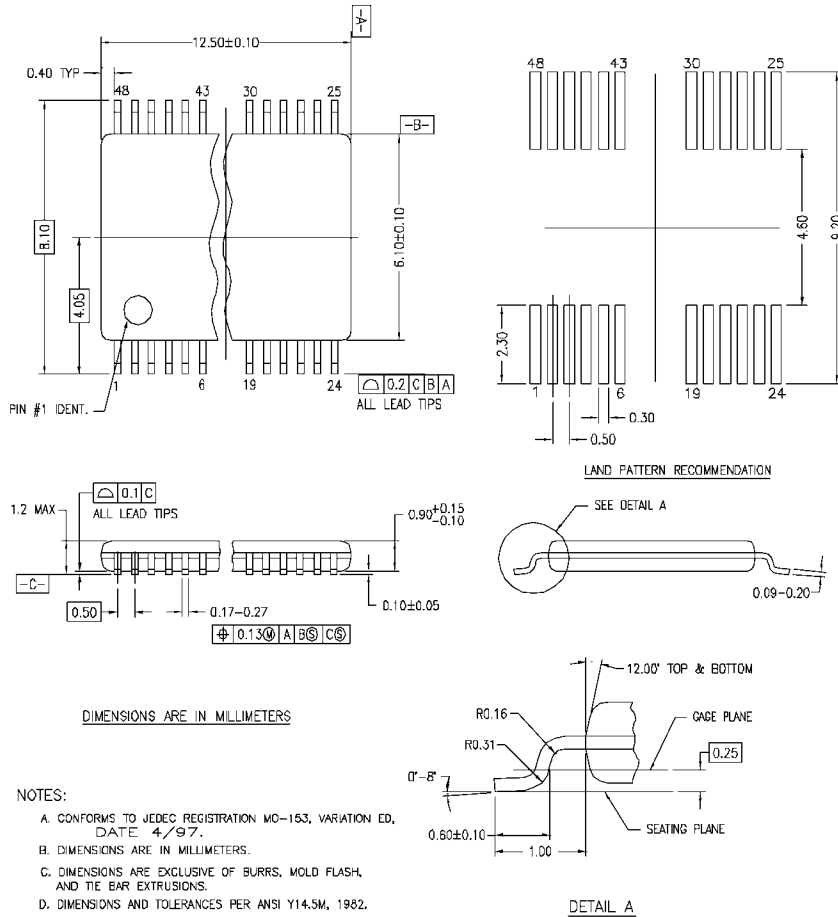
**Physical Dimensions** inches (millimeters) unless otherwise noted (Continued)



**48-Lead Small Shrink Outline Package (SSOP), JEDEC MO-118, 0.300" Wide  
Package Number MS48A**



**Physical Dimensions** inches (millimeters) unless otherwise noted (Continued)



MTD48REV C

**48-Lead Thin Shrink Small Outline Package (TSSOP), JEDEC MO-153, 6.1mm Wide Package Number MTD48**

Fairchild does not assume any responsibility for use of any circuitry described, no circuit patent licenses are implied and Fairchild reserves the right at any time without notice to change said circuitry and specifications.

**LIFE SUPPORT POLICY**

FAIRCHILD'S PRODUCTS ARE NOT AUTHORIZED FOR USE AS CRITICAL COMPONENTS IN LIFE SUPPORT DEVICES OR SYSTEMS WITHOUT THE EXPRESS WRITTEN APPROVAL OF THE PRESIDENT OF FAIRCHILD SEMICONDUCTOR CORPORATION. As used herein:

1. Life support devices or systems are devices or systems which, (a) are intended for surgical implant into the body, or (b) support or sustain life, and (c) whose failure to perform when properly used in accordance with instructions for use provided in the labeling, can be reasonably expected to result in a significant injury to the user.
2. A critical component in any component of a life support device or system whose failure to perform can be reasonably expected to cause the failure of the life support device or system, or to affect its safety or effectiveness.

[www.fairchildsemi.com](http://www.fairchildsemi.com)

ON Semiconductor and  are trademarks of Semiconductor Components Industries, LLC dba ON Semiconductor or its subsidiaries in the United States and/or other countries. ON Semiconductor owns the rights to a number of patents, trademarks, copyrights, trade secrets, and other intellectual property. A listing of ON Semiconductor's product/patent coverage may be accessed at [www.onsemi.com/site/pdf/Patent-Marking.pdf](http://www.onsemi.com/site/pdf/Patent-Marking.pdf). ON Semiconductor reserves the right to make changes without further notice to any products herein. ON Semiconductor makes no warranty, representation or guarantee regarding the suitability of its products for any particular purpose, nor does ON Semiconductor assume any liability arising out of the application or use of any product or circuit, and specifically disclaims any and all liability, including without limitation special, consequential or incidental damages. Buyer is responsible for its products and applications using ON Semiconductor products, including compliance with all laws, regulations and safety requirements or standards, regardless of any support or applications information provided by ON Semiconductor. "Typical" parameters which may be provided in ON Semiconductor data sheets and/or specifications can and do vary in different applications and actual performance may vary over time. All operating parameters, including "Typicals" must be validated for each customer application by customer's technical experts. ON Semiconductor does not convey any license under its patent rights nor the rights of others. ON Semiconductor products are not designed, intended, or authorized for use as a critical component in life support systems or any FDA Class 3 medical devices or medical devices with a same or similar classification in a foreign jurisdiction or any devices intended for implantation in the human body. Should Buyer purchase or use ON Semiconductor products for any such unintended or unauthorized application, Buyer shall indemnify and hold ON Semiconductor and its officers, employees, subsidiaries, affiliates, and distributors harmless against all claims, costs, damages, and expenses, and reasonable attorney fees arising out of, directly or indirectly, any claim of personal injury or death associated with such unintended or unauthorized use, even if such claim alleges that ON Semiconductor was negligent regarding the design or manufacture of the part. ON Semiconductor is an Equal Opportunity/Affirmative Action Employer. This literature is subject to all applicable copyright laws and is not for resale in any manner.

## PUBLICATION ORDERING INFORMATION

### LITERATURE FULFILLMENT:

Literature Distribution Center for ON Semiconductor  
19521 E. 32nd Pkwy, Aurora, Colorado 80011 USA  
**Phone:** 303-675-2175 or 800-344-3860 Toll Free USA/Canada  
**Fax:** 303-675-2176 or 800-344-3867 Toll Free USA/Canada  
**Email:** [orderlit@onsemi.com](mailto:orderlit@onsemi.com)

**N. American Technical Support:** 800-282-9855 Toll Free  
USA/Canada  
**Europe, Middle East and Africa Technical Support:**  
Phone: 421 33 790 2910  
**Japan Customer Focus Center**  
Phone: 81-3-5817-1050

**ON Semiconductor Website:** [www.onsemi.com](http://www.onsemi.com)  
**Order Literature:** <http://www.onsemi.com/orderlit>  
For additional information, please contact your local  
Sales Representative