



Is Now Part of



**ON Semiconductor®**

To learn more about ON Semiconductor, please visit our website at  
[www.onsemi.com](http://www.onsemi.com)

ON Semiconductor and the ON Semiconductor logo are trademarks of Semiconductor Components Industries, LLC dba ON Semiconductor or its subsidiaries in the United States and/or other countries. ON Semiconductor owns the rights to a number of patents, trademarks, copyrights, trade secrets, and other intellectual property. A listing of ON Semiconductor's product/patent coverage may be accessed at [www.onsemi.com/site/pdf/Patent-Marking.pdf](http://www.onsemi.com/site/pdf/Patent-Marking.pdf). ON Semiconductor reserves the right to make changes without further notice to any products herein. ON Semiconductor makes no warranty, representation or guarantee regarding the suitability of its products for any particular purpose, nor does ON Semiconductor assume any liability arising out of the application or use of any product or circuit, and specifically disclaims any and all liability, including without limitation special, consequential or incidental damages. Buyer is responsible for its products and applications using ON Semiconductor products, including compliance with all laws, regulations and safety requirements or standards, regardless of any support or applications information provided by ON Semiconductor. "Typical" parameters which may be provided in ON Semiconductor data sheets and/or specifications can and do vary in different applications and actual performance may vary over time. All operating parameters, including "Typicals" must be validated for each customer application by customer's technical experts. ON Semiconductor does not convey any license under its patent rights nor the rights of others. ON Semiconductor products are not designed, intended, or authorized for use as a critical component in life support systems or any FDA Class 3 medical devices or medical devices with a same or similar classification in a foreign jurisdiction or any devices intended for implantation in the human body. Should Buyer purchase or use ON Semiconductor products for any such unintended or unauthorized application, Buyer shall indemnify and hold ON Semiconductor and its officers, employees, subsidiaries, affiliates, and distributors harmless against all claims, costs, damages, and expenses, and reasonable attorney fees arising out of, directly or indirectly, any claim of personal injury or death associated with such unintended or unauthorized use, even if such claim alleges that ON Semiconductor was negligent regarding the design or manufacture of the part. ON Semiconductor is an Equal Opportunity/Affirmative Action Employer. This literature is subject to all applicable copyright laws and is not for resale in any manner.



# FLS-XS Series — Half-Bridge LLC Resonant Control IC for Lighting

## Features

- Variable Frequency Control with 50% Duty Cycle for Half-Bridge Resonant Converter Topology
- High Efficiency through Zero Voltage Switching (ZVS)
- Internal UniFET™ with Fast-Recovery Body Diode
- Fixed Dead Time (350ns) Optimized for MOSFETs
- Up to 300kHz Operating Frequency
- Auto-Restart Operation for All Protections with External LV<sub>CC</sub>
- Protection Functions: Over-Voltage Protection (OVP), Over-Current Protection (OCP), Abnormal Over-Current Protection (AOCP), Internal Thermal Shutdown (TSD)

## Applications

- General LED Lighting Power
- Industrial, Commercial, and Residential LED Lighting Fixtures
- Outdoor Lighting: Street, Roadway, Parking, Construction and Ornamental LED Lighting Fixtures

## Description

The FLS-XS series of general lighting power controllers includes highly integrated power switches for medium- to high-power lumens applications. Offering everything necessary to build a reliable and robust half-bridge resonant converter, the FLS-XS series simplifies designs and improves productivity, while improving performance. The FLS-XS series combines power MOSFETs with fast-recovery type body diodes, a high-side gate-drive circuit, an accurate current controlled oscillator, frequency limit circuit, soft-start, and built-in protection functions. The high-side gate-drive circuit has common-mode noise cancellation capability, which guarantees stable operation with excellent noise immunity. The fast-recovery body diode of the MOSFETs improves reliability against abnormal operation conditions, while minimizing the effect of reverse recovery. Using zero voltage switching (ZVS) dramatically reduces the switching losses and significantly improves efficiency. ZVS also reduces switching noise noticeably, which allows a small-sized Electromagnetic Interference (EMI) filter.

The FLS-XS series can be applied to resonant converter topologies such as series resonant, parallel resonant, and LLC resonant converters.

## Ordering Information

Part Number	Package	Operating Junction Temperature	R <sub>DS(ON_MAX)</sub>	Maximum Output Power without Heatsink (V <sub>IN</sub> =350~400V) <sup>(1,2)</sup>	Maximum Output Power with Heatsink (V <sub>IN</sub> =350~400V) <sup>(1,2)</sup>
FLS2100XS	9-SIP	-40 to +130°C	0.51Ω	180W	400W
FLS1800XS			0.95Ω	120W	260W
FLS1700XS			1.25Ω	100W	200W
FLS1600XS			1.55Ω	80W	160W

### Notes:

1. The junction temperature can limit the maximum output power.
2. Maximum practical continuous power in an open-frame design at 50°C ambient.

### Application Circuit Diagram

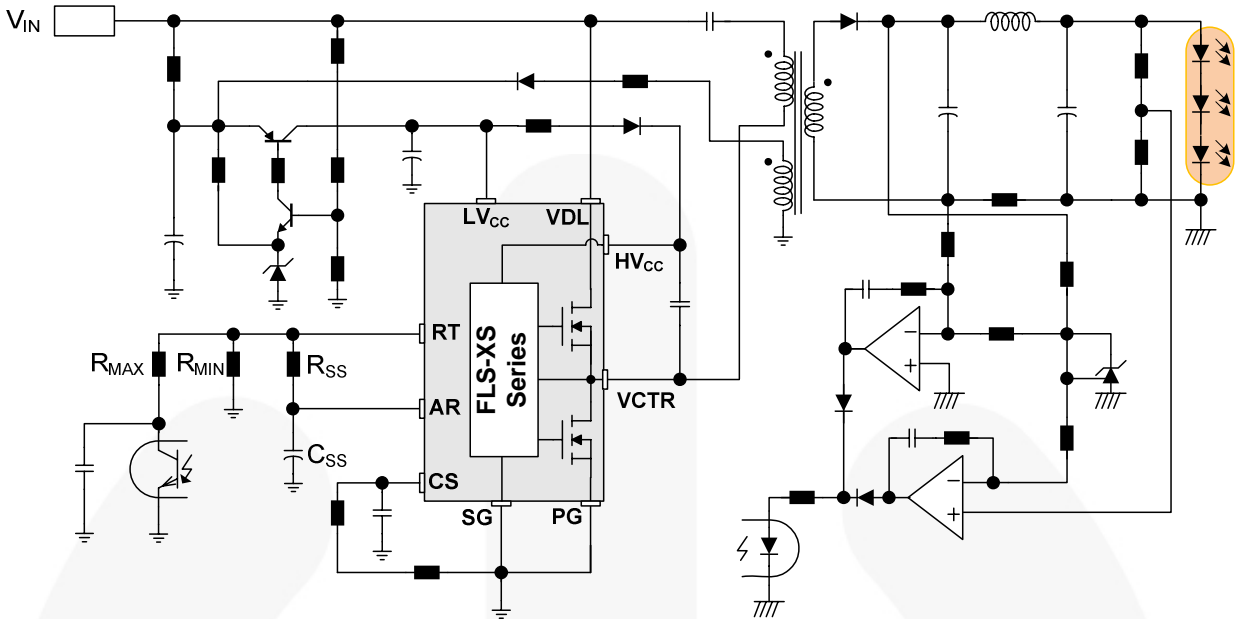


Figure 1. Typical Application Circuit for LLC Resonant Half-Bridge Converter

### Block Diagram

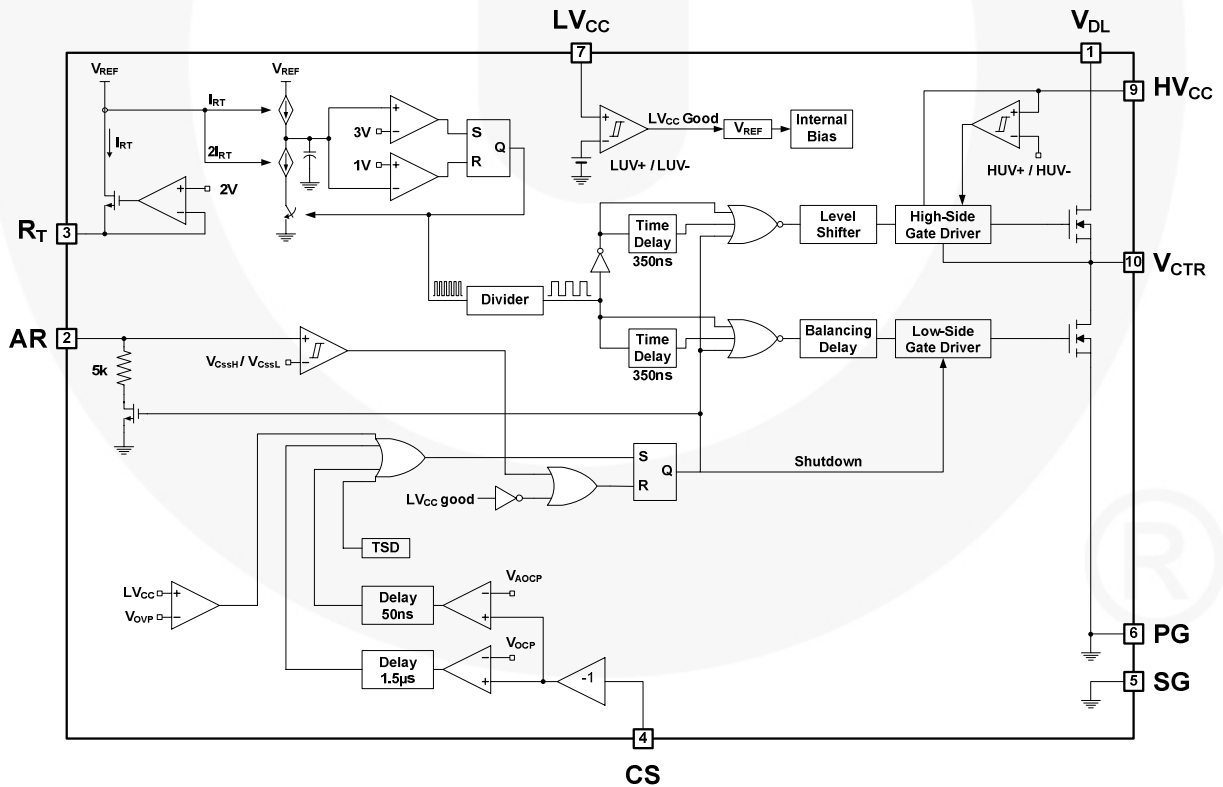


Figure 2. Internal Block Diagram

## Pin Configuration

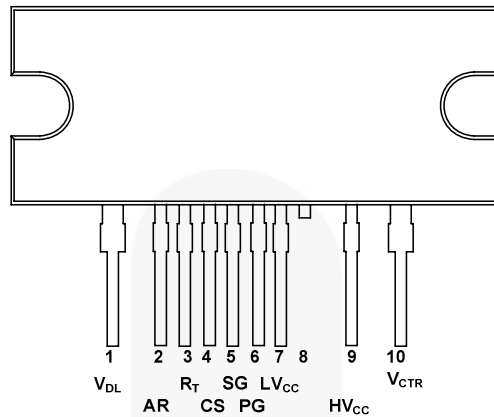


Figure 3. Package Diagram

## Pin Definitions

Pin #	Name	Description
1	V <sub>DL</sub>	This is the drain of the high-side MOSFET, typically connected to the input DC link voltage.
2	AR	This pin is for discharging the external soft-start capacitor when any protections are triggered. When the voltage of this pin drops to 0.2V, all protections are reset and the controller starts to operate again.
3	R <sub>T</sub>	This pin programs the switching frequency. Typically, an opto-coupler is connected to control the switching frequency for the output voltage regulation.
4	CS	This pin senses the current flowing through the low-side MOSFET. Typically, negative voltage is applied on this pin.
5	SG	This pin is the control ground.
6	PG	This pin is the power ground. This pin is connected to the source of the low-side MOSFET.
7	LV <sub>CC</sub>	This pin is the supply voltage of the control IC.
8	NC	No connection
9	HV <sub>CC</sub>	This is the supply voltage of the high-side gate-drive circuit IC.
10	V <sub>CTR</sub>	This is the drain of the low-side MOSFET. Typically, a transformer is connected to this pin.

## Absolute Maximum Ratings

Stresses exceeding the absolute maximum ratings may damage the device. The device may not function or be operable above the recommended operating conditions and stressing the parts to these levels is not recommended. In addition, extended exposure to stresses above the recommended operating conditions may affect device reliability. The absolute maximum ratings are stress ratings only.  $T_A=25^{\circ}\text{C}$  unless otherwise specified.

Symbol	Parameter	Min.	Max.	Unit	
$V_{DS}$	Maximum Drain-to-Source Voltage ( $V_{DL}-V_{CTR}$ and $V_{CTR}-PG$ )	500		V	
$LV_{CC}$	Low-Side Supply Voltage	-0.3	25.0	V	
$HV_{CC}$ to $V_{CTR}$	High-Side $V_{CC}$ Pin to Low-Side Drain Voltage	-0.3	25.0	V	
$HV_{CC}$	High-Side Floating Supply Voltage	-0.3	525.0	V	
$V_{AR}$	Auto-Restart Pin Input Voltage	-0.3	$LV_{CC}$	V	
$V_{CS}$	Current-Sense (CS) Pin Input Voltage	-5.0	1.0	V	
$V_{RT}$	$R_T$ Pin Input Voltage	-0.3	5.0	V	
$dV_{CTR}/dt$	Allowable Low-Side MOSFET Drain Voltage Slew Rate		50	V/ns	
$P_D$	Total Power Dissipation <sup>(3)</sup>	FLS2100XS	12.0	W	
		FLS1800XS	11.7		
		FLS1700XS	11.6		
		FLS1600XS	11.5		
$T_J$	Maximum Junction Temperature <sup>(4)</sup>		+150	$^{\circ}\text{C}$	
	Recommended Operating Junction Temperature <sup>(4)</sup>	-40	+130		
$T_{STG}$	Storage Temperature Range	-55	+150	$^{\circ}\text{C}$	
<b>MOSFET Section</b>					
$V_{DGR}$	Drain Gate Voltage ( $R_{GS}=1M\Omega$ )	500		V	
$V_{GS}$	Gate Source (GND) Voltage		$\pm 30$	V	
$I_{DM}$	Drain Current Pulsed <sup>(5)</sup>	FLS2100XS	32	A	
		FLS1800XS	23		
		FLS 1700XS	20		
		FLS 1600XS	18		
$I_D$	Continuous Drain Current	FLS2100XS	$T_C=25^{\circ}\text{C}$	10.5	A
			$T_C=100^{\circ}\text{C}$	6.5	
		FLS1800XS	$T_C=25^{\circ}\text{C}$	7.0	
			$T_C=100^{\circ}\text{C}$	4.5	
		FLS 1700XS	$T_C=25^{\circ}\text{C}$	6.0	
			$T_C=100^{\circ}\text{C}$	3.9	
FLS 1600XS	$T_C=25^{\circ}\text{C}$	4.5			
	$T_C=100^{\circ}\text{C}$	2.7			
<b>Package Section</b>					
Torque	Recommended Screw Torque		5~7	kgf-cm	

### Notes:

3. Per MOSFET when both MOSFETs are conducting.
4. The maximum value of the recommended operating junction temperature is limited by thermal shutdown.
5. Pulse width is limited by maximum junction temperature.

## Thermal Impedance

T<sub>A</sub>=25°C unless otherwise specified.

Symbol	Parameter	Value	Unit
$\theta_{JC}$	Junction-to-Case Center Thermal Impedance (Both MOSFETs Conducting)	FLS2100XS	10.44
		FLS1800XS	10.68
		FLS 1700XS	10.79
		FLS 1600XS	10.89
			°C/W

## Electrical Characteristics

T<sub>A</sub>=25°C unless otherwise specified.

Symbol	Parameter	Test Conditions	Min.	Typ.	Max.	Unit
<b>MOSFET Section</b>						
BV <sub>DSS</sub>	Drain-to-Source Breakdown Voltage	I <sub>D</sub> =200μA, T <sub>A</sub> =25°C	500			V
		I <sub>D</sub> =200μA, T <sub>A</sub> =125°C		540		
R <sub>DS(ON)</sub>	On-State Resistance	FLS2100XS V <sub>GS</sub> =10V, I <sub>D</sub> =6.0A		0.41	0.51	Ω
		FLS1800XS V <sub>GS</sub> =10V, I <sub>D</sub> =3.0A		0.77	0.95	
		FLS 1700XS V <sub>GS</sub> =10V, I <sub>D</sub> =2.0A		1.00	1.25	
		FLS 1600XS V <sub>GS</sub> =10V, I <sub>D</sub> =2.25A		1.25	1.55	
t <sub>rr</sub>	Body Diode Reverse Recovery Time <sup>(6)</sup>	FLS2100XS V <sub>GS</sub> =0V, I <sub>Diode</sub> =10.5A, dI <sub>Diode</sub> /dt=100A/μs		120		ns
		FLS1800XS V <sub>GS</sub> =0V, I <sub>Diode</sub> =7.0A, dI <sub>Diode</sub> /dt=100A/μs		160		
		FLS 1700XS V <sub>GS</sub> =0V, I <sub>Diode</sub> =6.0A, dI <sub>Diode</sub> /dt=100A/μs		160		
		FLS 1600XS V <sub>GS</sub> =0V, I <sub>Diode</sub> =5.0A, dI <sub>Diode</sub> /dt=100A/μs		65		
<b>Supply Section</b>						
I <sub>LK</sub>	Offset Supply Leakage Current	HV <sub>CC</sub> =V <sub>CTR</sub> =500V			50	μA
I <sub>qHVCC</sub>	Quiescent HV <sub>CC</sub> Supply Current	(HV <sub>CC</sub> UV+) - 0.1V		50	120	μA
I <sub>qLVCC</sub>	Quiescent LV <sub>CC</sub> Supply Current	(LV <sub>CC</sub> UV+) - 0.1V		100	200	μA
I <sub>oHVCC</sub>	Operating HV <sub>CC</sub> Supply Current (RMS Value)	f <sub>OSC</sub> =100KHz		6	9	mA
		No Switching		100	200	μA
I <sub>oLVCC</sub>	Operating LV <sub>CC</sub> Supply Current (RMS Value)	f <sub>OSC</sub> =100KHz		7	11	mA
		No Switching		2	4	mA

Continued on the following page...

## Electrical Characteristics

T<sub>A</sub>=25°C unless otherwise specified.

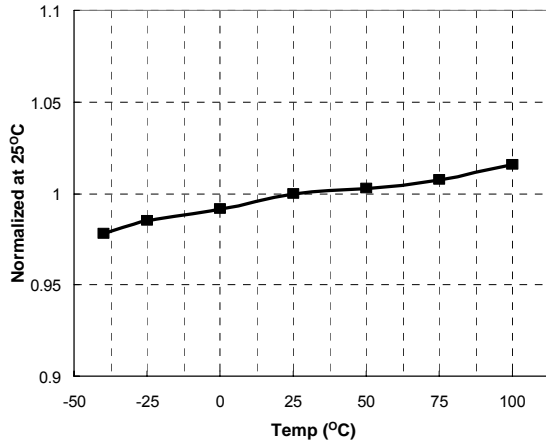
UVLO Section						
LV <sub>CC</sub> UV+	LV <sub>CC</sub> Supply Under-Voltage Positive-Going Threshold (LV <sub>CC</sub> Start)		11.2	12.5	13.8	V
LV <sub>CC</sub> UV-	LV <sub>CC</sub> Supply Under-Voltage Negative-Going Threshold (LV <sub>CC</sub> Stop)		8.9	10.0	11.1	V
LV <sub>CC</sub> UVH	LV <sub>CC</sub> Supply Under-Voltage Hysteresis			2.50		V
HV <sub>CC</sub> UV+	HV <sub>CC</sub> Supply Under-Voltage Positive-Going Threshold (HV <sub>CC</sub> Start)		8.2	9.2	10.2	V
HV <sub>CC</sub> UV-	HV <sub>CC</sub> Supply Under-Voltage Negative-Going Threshold (HV <sub>CC</sub> Stop)		7.8	8.7	9.6	V
HV <sub>CC</sub> UVH	HV <sub>CC</sub> Supply Under-Voltage Hysteresis			0.5		V
Oscillator & Feedback Section						
V <sub>RT</sub>	V-I Converter Threshold Voltage		1.5	2.0	2.5	V
f <sub>OSC</sub>	Output Oscillation Frequency	R <sub>T</sub> =5.2KΩ	94	100	106	KHz
DC	Output Duty Cycle		48	50	52	%
f <sub>SS</sub>	Internal Soft-Start Initial Frequency	f <sub>SS</sub> =f <sub>OSC</sub> +40kHz, R <sub>T</sub> =5.2KΩ		140		KHz
t <sub>SS</sub>	Internal Soft-Start Time		2	3	4	ms
Protection Section						
V <sub>CSSH</sub>	Beginning Voltage to Discharge C <sub>SS</sub>		0.9	1.0	1.1	V
V <sub>CSSL</sub>	Beginning Voltage to Charge C <sub>SS</sub> and Restart		0.16	0.20	0.24	V
V <sub>OVP</sub>	LV <sub>CC</sub> Over-Voltage Protection	LV <sub>CC</sub> > 21V	21	23	25	V
V <sub>AOCP</sub>	AOCP Threshold Voltage		-1.0	-0.9	-0.8	V
t <sub>BAO</sub>	AOCP Blanking Time <sup>(6)</sup>	V <sub>CS</sub> < V <sub>AOCP</sub>		50		ns
V <sub>OCP</sub>	OCP Threshold Voltage		-0.64	-0.58	-0.52	V
t <sub>BO</sub>	OCP Blanking Time <sup>(6)</sup>	V <sub>CS</sub> < V <sub>OCP</sub>	1.0	1.5	2.0	μs
t <sub>DA</sub>	Delay Time (Low Side) Detecting from V <sub>AOCP</sub> to Switch Off <sup>(6)</sup>			250	400	ns
T <sub>SD</sub>	Thermal Shutdown Temperature <sup>(6)</sup>		+120	+135	+150	°C
Dead-Time Control Section						
D <sub>T</sub>	Dead Time <sup>(7)</sup>			350		ns

### Notes:

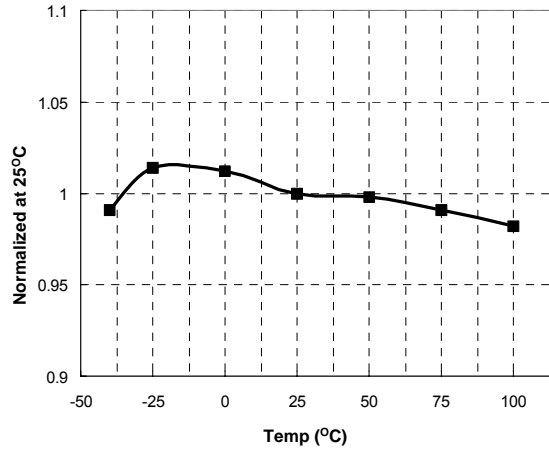
6. This parameter, although guaranteed by design, is not tested in production.
7. These parameters, although guaranteed, are tested only in EDS (wafer test) process.

## Typical Performance Characteristics

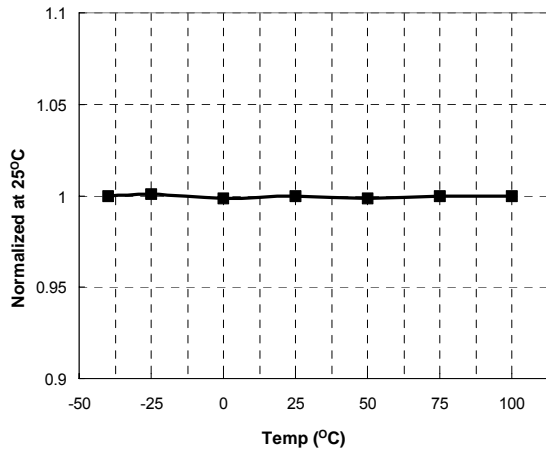
These characteristic graphs are normalized at  $T_A=25^\circ\text{C}$ .



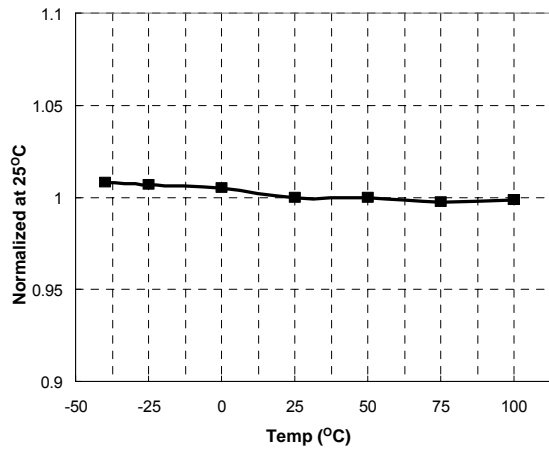
**Figure 4. Low-Side MOSFET Duty Cycle vs. Temperature**



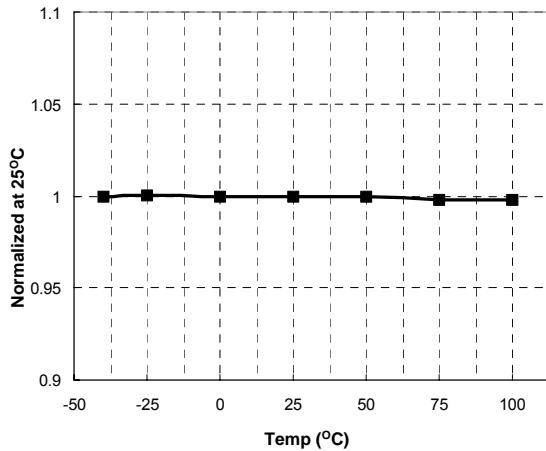
**Figure 5. Switching Frequency vs. Temperature**



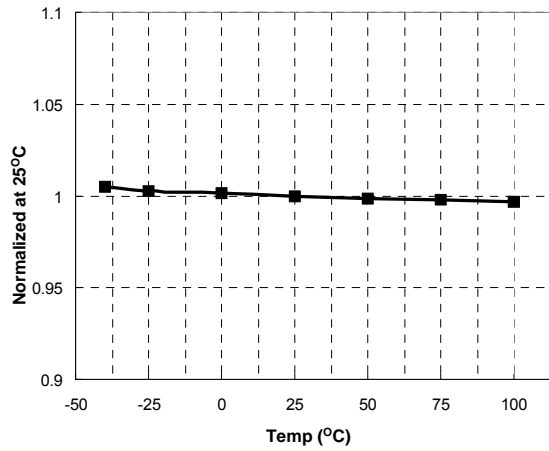
**Figure 6. High-Side  $V_{CC}$  ( $HV_{CC}$ ) Start vs. Temperature**



**Figure 7. High-Side  $V_{CC}$  ( $HV_{CC}$ ) Stop vs. Temperature**



**Figure 8. Low-Side  $V_{CC}$  ( $LV_{CC}$ ) Start vs. Temperature**



**Figure 9. Low-Side  $V_{CC}$  ( $LV_{CC}$ ) Stop vs. Temperature**



## Typical Performance Characteristics (Continued)

These characteristic graphs are normalized at  $T_A=25^\circ\text{C}$ .

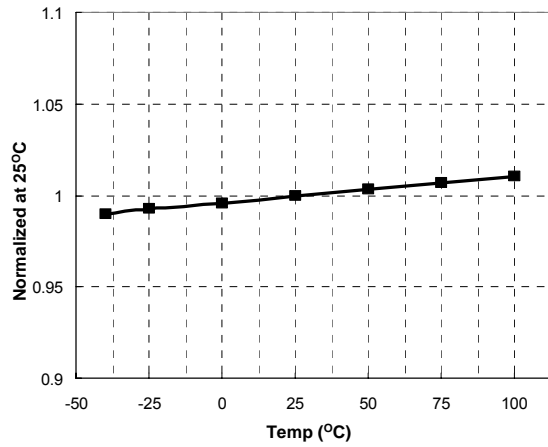


Figure 10. LVCC OVP Voltage vs. Temperature

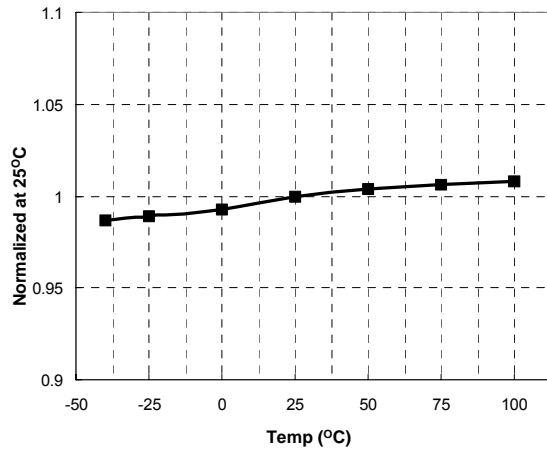


Figure 11.  $R_T$  Voltage vs. Temperature

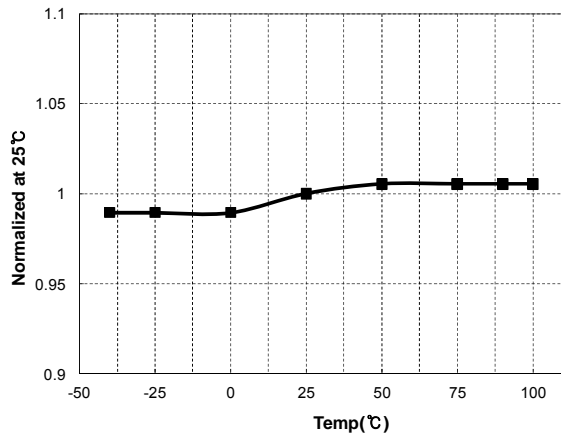


Figure 12.  $V_{CSsL}$  vs. Temperature

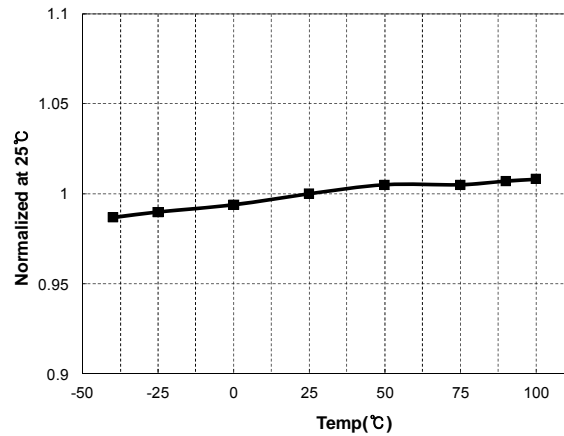


Figure 13.  $V_{CSsH}$  vs. Temperature

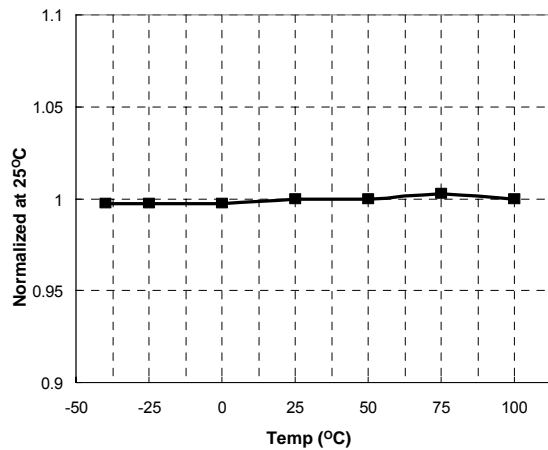


Figure 14. OCP Voltage vs. Temperature

## Functional Description

**1. Basic Operation.** FLS-XS series is designed to drive high-side and low-side MOSFETs complementarily with 50% duty cycle. A fixed dead time of 350ns is introduced between consecutive transitions, as shown in Figure 15.

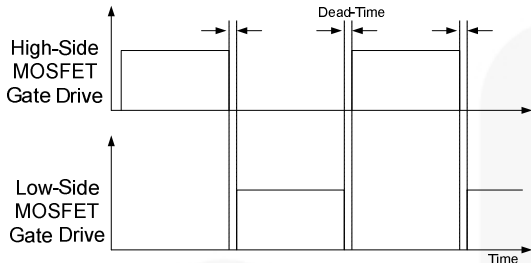


Figure 15. MOSFETs Gate Drive Signal

**2. Internal Oscillator:** FLS-XS series employs a current-controlled oscillator, as shown in Figure 16. Internally, the voltage of the  $R_T$  pin is regulated at 2V and the charging / discharging current for the oscillator capacitor,  $C_T$ , is obtained by copying the current flowing out of the  $R_T$  pin ( $I_{CTC}$ ) using a current mirror. Therefore, the switching frequency increases as  $I_{CTC}$  increases.

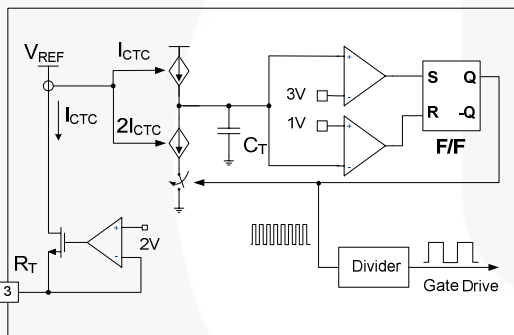


Figure 16. Current-Controlled Oscillator

**3. Frequency Setting:** Figure 17 shows the typical voltage gain curve of a resonant converter, where the gain is inversely proportional to the switching frequency in the ZVS region. The output voltage can be regulated by modulating the switching frequency. Figure 18 shows the typical circuit configuration for the  $R_T$  pin, where the opto-coupler transistor is connected to the  $R_T$  pin to modulate the switching frequency.

The minimum switching frequency is determined as:

$$f_{min} = \frac{5.2k\Omega}{R_{min}} \times 100(kHz) \quad (1)$$

Assuming the saturation voltage of opto-coupler transistor is 0.2V, the maximum switching frequency is determined as:

$$f_{max} = \left( \frac{5.2k\Omega}{R_{min}} + \frac{4.68k\Omega}{R_{max}} \right) \times 100(kHz) \quad (2)$$

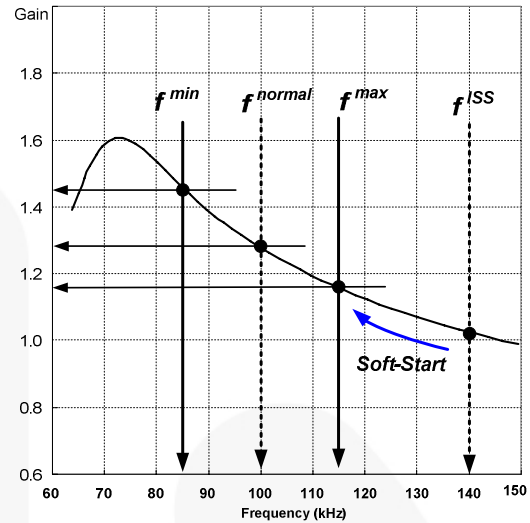


Figure 17. Resonant Converter Typical Gain Curve

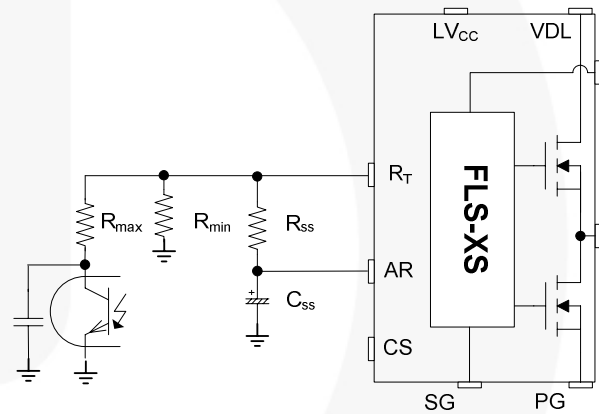


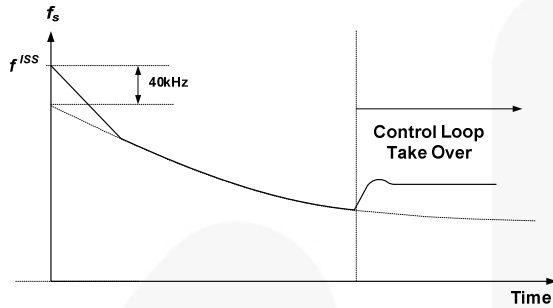
Figure 18. Frequency Control Circuit

To prevent excessive inrush current and overshoot of output voltage during startup, increase the voltage gain of the resonant converter progressively. Since the voltage gain of the resonant converter is inversely proportional to the switching frequency, the soft-start is implemented by sweeping down the switching frequency from an initial high frequency ( $f^{ISS}$ ) until the output voltage is established. The soft-start circuit is made by connecting R-C series network on the  $R_T$  pin, as shown in Figure 18. FLS-XS series also has a 3ms internal soft-start to reduce the current overshoot during the initial cycles, which adds 40kHz to the initial frequency of the external soft-start circuit, as shown in Figure 19. The initial frequency of the soft-start is given as:

$$f^{ISS} = \left( \frac{5.2k\Omega}{R_{min}} + \frac{5.2k\Omega}{R_{SS}} \right) \times 100 + 40(kHz) \quad (3)$$

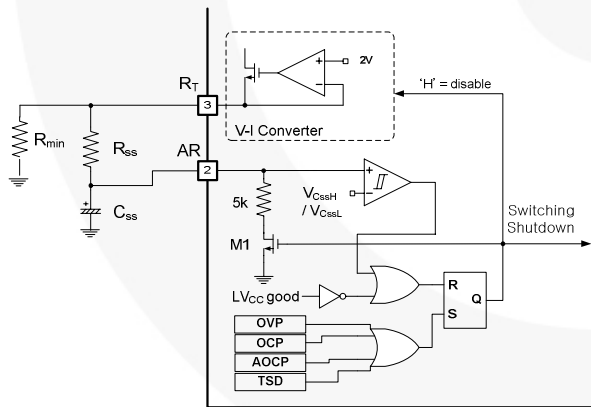
It is typical to set the initial frequency of soft-start two to three times the resonant frequency ( $f_0$ ) of the resonant network. The soft-start time is three to four times the RC time constant. The RC time constant is:

$$\tau = R_{SS} \cdot C_{SS} \quad (4)$$



**Figure 19. Frequency Sweeping of Soft-Start**

**4. Self Auto-Restart:** The FLS-XS series can restart automatically even when any built-in protections are triggered with external supply voltage. As can be seen in Figure 20 and Figure 21, once a protection is triggered, the M1 switch turns on and the V-I converter is disabled.  $C_{SS}$  starts to discharge until  $V_{C_{SS}}$  across  $C_{SS}$  drops to  $V_{C_{SSL}}$ . Then, all protections are reset, M1 turns off, and the V-I converter resumes. The FLS-XS starts switching again with soft-start. If the protections occur while  $V_{C_{SS}}$  is under  $V_{C_{SSL}}$  and  $V_{C_{SSH}}$  level, the switching is terminated immediately,  $V_{C_{SS}}$  continues to increase until reaching  $V_{C_{SSH}}$ , then  $C_{SS}$  is discharged by M1.

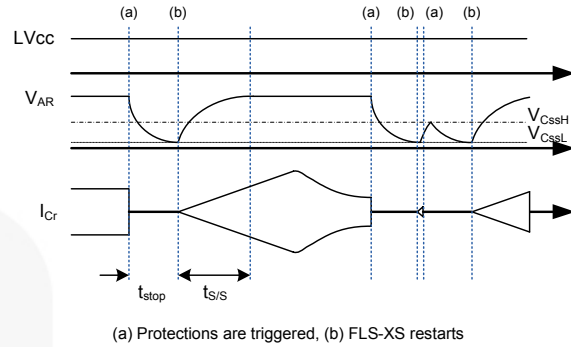


**Figure 20. Internal Block of AR Pin**

After protections trigger, FLS-XS is disabled during the stop-time,  $t_{stop}$ , where  $V_{C_{SS}}$  decreases and reaches to  $V_{C_{SSL}}$ . The stop-time of FLS-XS can be estimated as:

$$t_{STOP} = C_{SS} \cdot \left\{ (R_{SS} + R_{MIN}) \parallel 5k\Omega \right\} \quad (5)$$

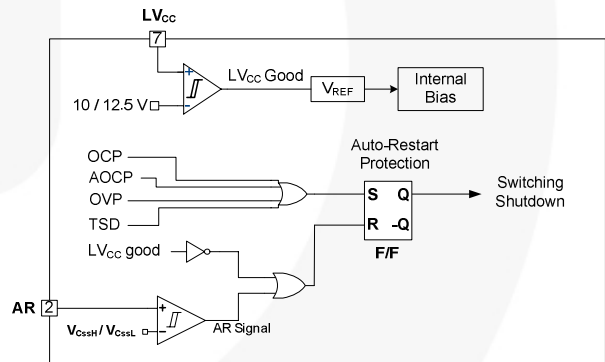
The soft-start time  $t_{s/s}$  can be set from Equation (4).



**Figure 21. Self Auto-Restart Operation**

**5. Protection Circuits:** The FLS-XS series has several self-protective functions, such as Over-Current Protection (OCP), Abnormal Over-Current Protection (AOC), Over-Voltage Protection (OVP), and Thermal Shutdown (TSD). These protections are auto-restart-mode protections, as shown in Figure 22.

Once a fault condition is detected, switching is terminated and the MOSFETs remain off. When  $LV_{CC}$  falls to the  $LV_{CC}$  stop voltage of 10V or AR signal is HIGH, the protection is reset. The FLS-XS resumes normal operation when  $LV_{CC}$  reaches the start voltage of 12.5V.



**Figure 22. Protection Blocks**

**5.1 Over-Current Protection (OCP):** When the sensing pin voltage drops below  $-0.58V$ , OCP is triggered and the MOSFETs remain off. This protection has a shutdown time delay of  $1.5\mu s$  to prevent premature shutdown during startup.

**5.2 Abnormal Over-Current Protection (AOC):** If the secondary rectifier diodes are shorted, large current with extremely high  $di/dt$  can flow through the MOSFET before OCP is triggered. AOC is triggered without shutdown delay if the sensing pin voltage drops below  $-0.9V$ .

**5.3 Over-Voltage Protection (OVP):** When the  $LV_{CC}$  reaches 23V, OVP is triggered. This protection is used when auxiliary winding of the transformer to supply  $V_{CC}$  to the FPS™ is utilized.

**5.4 Thermal Shutdown (TSD):** Having the MOSFETs and the control IC in one package makes it easier for the control IC to detect the abnormal over-temperature of the MOSFETs. If the temperature exceeds approximately 130°C, thermal shutdown triggers.

**6. Current Sensing Using a Resistor:** FLS-XS series senses drain current as a negative voltage, as shown in Figure 23 and Figure 24. Half-wave sensing allows low power dissipation in the sensing resistor; while full-wave sensing has less switching noise in the sensing signal.

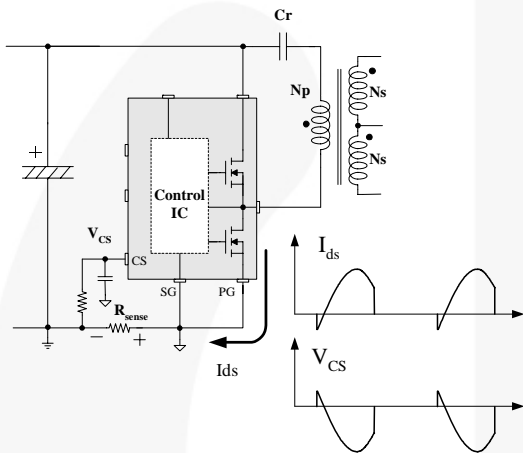


Figure 23. Half-Wave Sensing

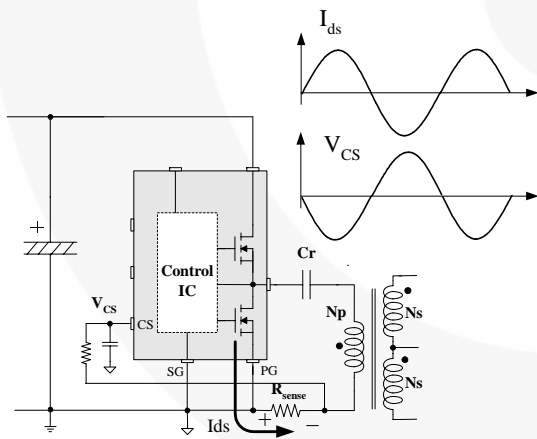


Figure 24. Full-Wave Sensing

**7. PCB Layout Guidelines:** Duty imbalance problems may occur due to the radiated noise from the main transformer, the inequality of the secondary side-leakage inductances of main transformer, and so on. This is one of the reasons that the control components in the vicinity of  $R_T$  pin are enclosed by the primary current flow pattern on PCB layout. The direction of the magnetic field on the components caused by the primary current flow is changed when the high- and low-side MOSFET turn on by turns. The magnetic fields with opposite directions induce a current through, into, or out of the  $R_T$  pin, which changes the turn-on duration of each MOSFET. It is strongly recommended to separate the control components in the vicinity of  $R_T$  pin from the primary current flow pattern on PCB layout. Figure 25 shows an example for the duty-balanced case.

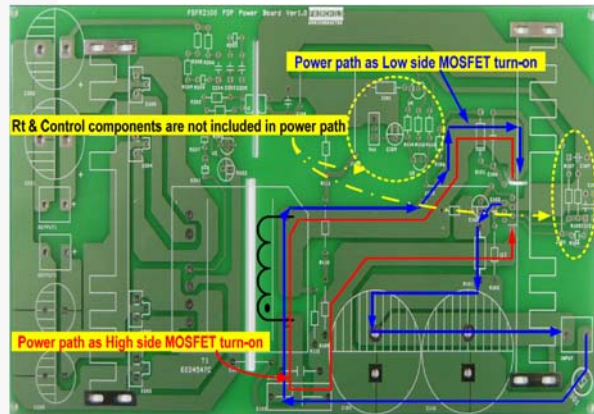
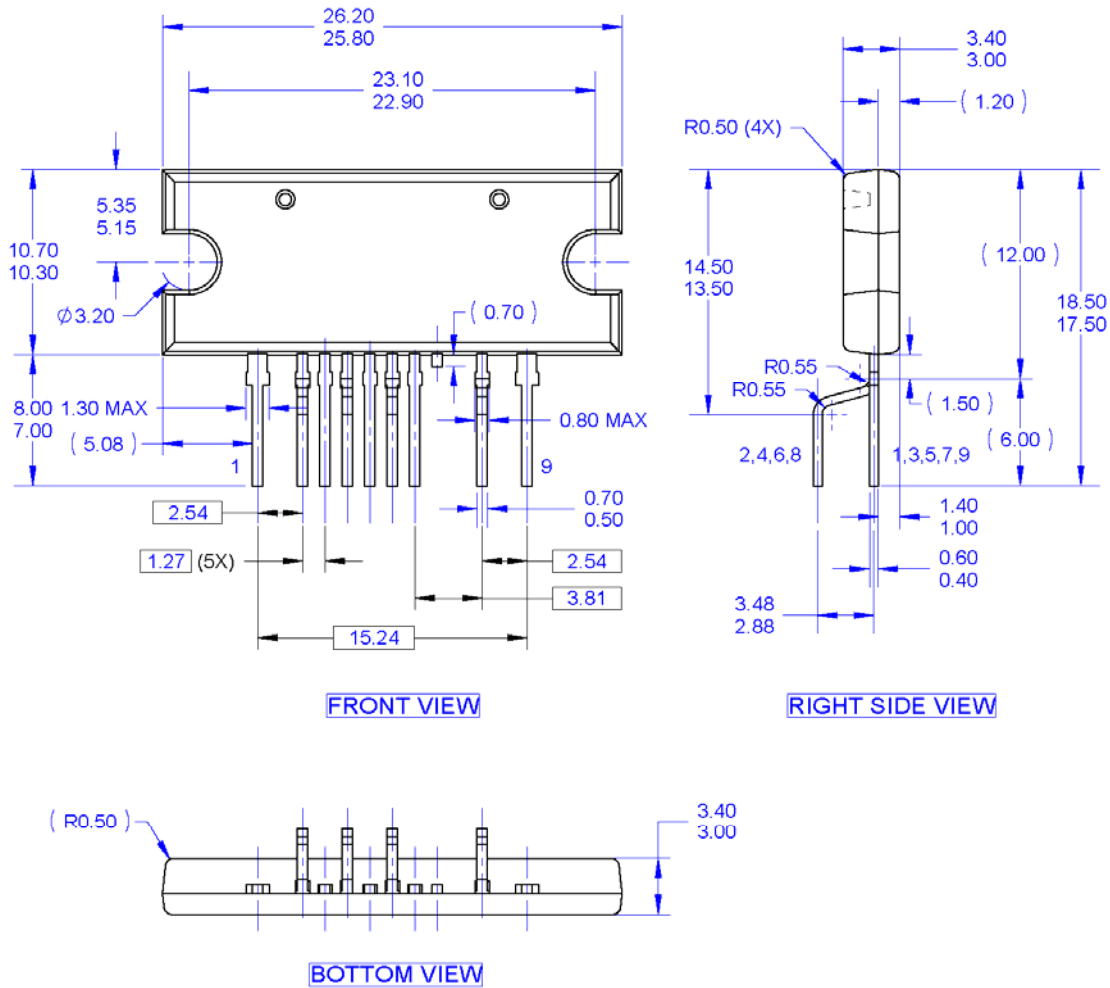


Figure 25. Example for Duty Balancing

### Physical Dimensions



NOTES: UNLESS OTHERWISE SPECIFIED

- A. THIS PACKAGE DOES NOT COMPLY TO ANY CURRENT PACKAGING STANDARD.
- B. ALL DIMENSIONS ARE IN MILLIMETERS.
- C. DIMENSIONS ARE EXCLUSIVE OF BURRS, MOLD FLASH AND TIE BAR PROTRUSIONS.
- D. DRAWING FILE NAME: MOD09ACREV2







**Figure 26. 9-Lead Single Inline Package (SIP)**

Package drawings are provided as a service to customers considering Fairchild components. Drawings may change in any manner without notice. Please note the revision and/or date on the drawing and contact a Fairchild Semiconductor representative to verify or obtain the most recent revision. Package specifications do not expand the terms of Fairchild's worldwide terms and conditions, specifically the warranty therein, which covers Fairchild products.

Always visit Fairchild Semiconductor's online packaging area for the most recent package drawings:  
<http://www.fairchildsemi.com/packaging/>.

**TRADEMARKS**

The following includes registered and unregistered trademarks and service marks, owned by Fairchild Semiconductor and/or its global subsidiaries, and is not intended to be an exhaustive list of all such trademarks.

- |   |   |   |   |
|---|---|---|---|
| AccuPower™  | F-PFST™   | Power-SPM™  | The Power Franchise®  |
| Auto-SPM™   | FRFET®  | PowerTrench®  | The Right Technology for Your Success™  |
| AX-CAP™   | Global Power Resource <sup>SM</sup>   | PowerXS™  |  |
| Build it Now™   | Green FPS™  | Programmable Active Droop™  | TinyBoost™  |
| CorePLUS™   | Green FPS™ e-Series™  | QFET®   | TinyBuck™   |
| CorePOWER™  | Gmax™   | QS™   | TinyCalc™   |
| CROSSVOLT™  | GTO™  | Quiet Series™   | TinyLogic®  |
| CTL™  | IntelliMAX™   | RapidConfigure™   | TINYOPTO™   |
| Current Transfer Logic™   | ISOPLANAR™  |  | TinyPower™  |
| DEUXPEED®   | MegaBuck™   | Saving our world, 1mW/W/kW at a time™   | TinyPWM™  |
| Dual Cool™  | MICROCOUPLER™   | SignalVise™   | TinyWire™   |
| EcoSPARK®   | MicroFET™   | SmartMax™   | TriFault Detect™  |
| EfficientMax™   | MicroPak™   | SMART START™  | TRUECURRENT™  |
| ESBC™   | MicroPak2™  | SPM®  | μSerDes™  |
|  | MillerDrive™  | STEALTH™  |  |
| Fairchild®  | MotionMax™  | SuperFET®   | UHC®  |
| Fairchild Semiconductor®  | Motion-SPM™   | SuperSOT™.3   | Ultra FRFET™  |
| FACT Quiet Series™  | mWSaver™  | SuperSOT™.6   | UniFET™   |
| FACT®   | OptoHiT™  | SuperSOT™.8   | VCC™  |
| FAST®   | OPTOLOGIC®  | SupreMOS®   | VisualMax™  |
| FastVCore™  | OPTOPLANAR®   | SyncFET™  | XS™   |
| FETBench™   |  | Sync-Lock™  |   |
| FlashWriter®  | PDP SPM™  |  |   |
| FPS™  |   |   |   |

\* Trademarks of System General Corporation, used under license by Fairchild Semiconductor.

**DISCLAIMER**

FAIRCHILD SEMICONDUCTOR RESERVES THE RIGHT TO MAKE CHANGES WITHOUT FURTHER NOTICE TO ANY PRODUCTS HEREIN TO IMPROVE RELIABILITY, FUNCTION, OR DESIGN. FAIRCHILD DOES NOT ASSUME ANY LIABILITY ARISING OUT OF THE APPLICATION OR USE OF ANY PRODUCT OR CIRCUIT DESCRIBED HEREIN; NEITHER DOES IT CONVEY ANY LICENSE UNDER ITS PATENT RIGHTS, NOR THE RIGHTS OF OTHERS. THESE SPECIFICATIONS DO NOT EXPAND THE TERMS OF FAIRCHILD'S WORLDWIDE TERMS AND CONDITIONS, SPECIFICALLY THE WARRANTY THEREIN, WHICH COVERS THESE PRODUCTS.

**LIFE SUPPORT POLICY**

FAIRCHILD'S PRODUCTS ARE NOT AUTHORIZED FOR USE AS CRITICAL COMPONENTS IN LIFE SUPPORT DEVICES OR SYSTEMS WITHOUT THE EXPRESS WRITTEN APPROVAL OF FAIRCHILD SEMICONDUCTOR CORPORATION.

As used herein:

- Life support devices or systems are devices or systems which, (a) are intended for surgical implant into the body or (b) support or sustain life, and (c) whose failure to perform when properly used in accordance with instructions for use provided in the labeling, can be reasonably expected to result in a significant injury of the user.
- A critical component in any component of a life support, device, or system whose failure to perform can be reasonably expected to cause the failure of the life support device or system, or to affect its safety or effectiveness.

**ANTI-COUNTERFEITING POLICY**

Fairchild Semiconductor Corporation's Anti-Counterfeiting Policy. Fairchild's Anti-Counterfeiting Policy is also stated on our external website, [www.fairchildsemi.com](http://www.fairchildsemi.com), under Sales Support.

Counterfeiting of semiconductor parts is a growing problem in the industry. All manufacturers of semiconductor products are experiencing counterfeiting of their parts. Customers who inadvertently purchase counterfeit parts experience many problems such as loss of brand reputation, substandard performance, failed applications, and increased cost of production and manufacturing delays. Fairchild is taking strong measures to protect ourselves and our customers from the proliferation of counterfeit parts. Fairchild strongly encourages customers to purchase Fairchild parts either directly from Fairchild or from Authorized Fairchild Distributors who are listed by country on our web page cited above. Products customers buy either from Fairchild directly or from Authorized Fairchild Distributors are genuine parts, have full traceability, meet Fairchild's quality standards for handling and storage and provide access to Fairchild's full range of up-to-date technical and product information. Fairchild and our Authorized Distributors will stand behind all warranties and will appropriately address any warranty issues that may arise. Fairchild will not provide any warranty coverage or other assistance for parts bought from Unauthorized Sources. Fairchild is committed to combat this global problem and encourage our customers to do their part in stopping this practice by buying direct or from authorized distributors.

**PRODUCT STATUS DEFINITIONS**

**Definition of Terms**

Datasheet Identification	Product Status	Definition
Advance Information	Formative / In Design	Datasheet contains the design specifications for product development. Specifications may change in any manner without notice.
Preliminary	First Production	Datasheet contains preliminary data; supplementary data will be published at a later date. Fairchild Semiconductor reserves the right to make changes at any time without notice to improve design.
No Identification Needed	Full Production	Datasheet contains final specifications. Fairchild Semiconductor reserves the right to make changes at any time without notice to improve the design.
Obsolete	Not In Production	Datasheet contains specifications on a product that is discontinued by Fairchild Semiconductor. The datasheet is for reference information only.

Rev. I52

ON Semiconductor and  are trademarks of Semiconductor Components Industries, LLC dba ON Semiconductor or its subsidiaries in the United States and/or other countries. ON Semiconductor owns the rights to a number of patents, trademarks, copyrights, trade secrets, and other intellectual property. A listing of ON Semiconductor's product/patent coverage may be accessed at [www.onsemi.com/site/pdf/Patent-Marking.pdf](http://www.onsemi.com/site/pdf/Patent-Marking.pdf). ON Semiconductor reserves the right to make changes without further notice to any products herein. ON Semiconductor makes no warranty, representation or guarantee regarding the suitability of its products for any particular purpose, nor does ON Semiconductor assume any liability arising out of the application or use of any product or circuit, and specifically disclaims any and all liability, including without limitation special, consequential or incidental damages. Buyer is responsible for its products and applications using ON Semiconductor products, including compliance with all laws, regulations and safety requirements or standards, regardless of any support or applications information provided by ON Semiconductor. "Typical" parameters which may be provided in ON Semiconductor data sheets and/or specifications can and do vary in different applications and actual performance may vary over time. All operating parameters, including "Typicals" must be validated for each customer application by customer's technical experts. ON Semiconductor does not convey any license under its patent rights nor the rights of others. ON Semiconductor products are not designed, intended, or authorized for use as a critical component in life support systems or any FDA Class 3 medical devices or medical devices with a same or similar classification in a foreign jurisdiction or any devices intended for implantation in the human body. Should Buyer purchase or use ON Semiconductor products for any such unintended or unauthorized application, Buyer shall indemnify and hold ON Semiconductor and its officers, employees, subsidiaries, affiliates, and distributors harmless against all claims, costs, damages, and expenses, and reasonable attorney fees arising out of, directly or indirectly, any claim of personal injury or death associated with such unintended or unauthorized use, even if such claim alleges that ON Semiconductor was negligent regarding the design or manufacture of the part. ON Semiconductor is an Equal Opportunity/Affirmative Action Employer. This literature is subject to all applicable copyright laws and is not for resale in any manner.

## PUBLICATION ORDERING INFORMATION

### LITERATURE FULFILLMENT:

Literature Distribution Center for ON Semiconductor  
19521 E. 32nd Pkwy, Aurora, Colorado 80011 USA  
**Phone:** 303-675-2175 or 800-344-3860 Toll Free USA/Canada  
**Fax:** 303-675-2176 or 800-344-3867 Toll Free USA/Canada  
**Email:** [orderlit@onsemi.com](mailto:orderlit@onsemi.com)

**N. American Technical Support:** 800-282-9855 Toll Free  
USA/Canada  
**Europe, Middle East and Africa Technical Support:**  
Phone: 421 33 790 2910  
**Japan Customer Focus Center**  
Phone: 81-3-5817-1050

**ON Semiconductor Website:** [www.onsemi.com](http://www.onsemi.com)  
**Order Literature:** <http://www.onsemi.com/orderlit>  
For additional information, please contact your local  
Sales Representative