

**PLEASE CHECK WWW.MOLEX.COM FOR LATEST PART INFORMATION**

**Part Number:** [0003062011](#)  
**Status:** **Active**  
**Overview:** Standard .062" Pin and Socket Power Connectors  
**Description:** 1.57mm Diameter Standard .062" Pin and Socket Plug Housing, 1 Circuits

**Documents:**

[3D Model](#) [Packaging Specification PK-1625-003-001 \(PDF\)](#)  
[Drawing \(PDF\)](#) [RoHS Certificate of Compliance \(PDF\)](#)  
[Product Specification PS-02-06-001 \(PDF\)](#)

**Agency Certification**

CSA LR19980  
 UL E29179

**General**

Product Family Crimp Housings  
 Series [1625](#)  
 Application Power, Wire-to-Wire  
 Comments Polarized to Mating Part  
 MolexKits Yes  
 Overview [Standard .062" Pin and Socket Power Connectors](#)  
 Product Name Standard .062"  
 UPC 800753746152

**Physical**

Breakaway No  
 Circuits (maximum) 1  
 Circuits Detail 1  
 Color - Resin Natural  
 Flammability 94V-2  
 Gender Plug  
 Glow-Wire Compliant No  
 Keying to Mating Part None  
 Lock to Mating Part Yes  
 Material - Resin Nylon  
 Net Weight 0.357/g  
 Number of Rows 1  
 Packaging Type Bag  
 Panel Mount No  
 Pitch - Mating Interface N/A  
 Pitch - Termination Interface N/A  
 Polarized to Mating Part Yes  
 Stackable No  
 Temperature Range - Operating -40°C to +105°C

**Electrical**

Current - Maximum per Contact 5.0A

**Solder Process Data**

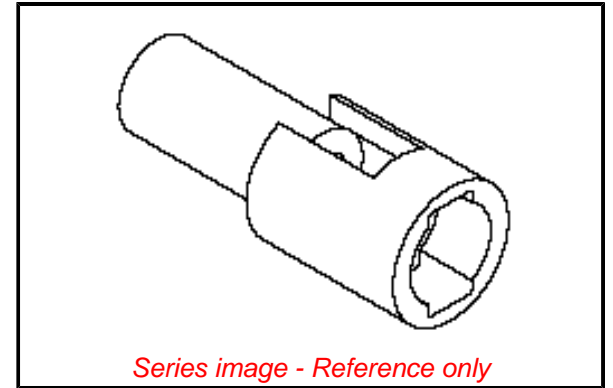
Lead-freeProcess Capability N/A

**Material Info**

Engineering Number 1625-1P

**Reference - Drawing Numbers**

Packaging Specification PK-1625-003-001  
 Product Specification PS-02-06-001  
 Sales Drawing SD-1625-1\*-\*



**EU ELV**

**Not Relevant**

**EU RoHS**

**Compliant**

**REACH SVHC**

Not Contained Per -  
 ED/21/2016 (20 June  
 2016)

**Halogen-Free**

**Status**

**Low-Halogen**

**Need more information on product  
 environmental compliance?**

Email [productcompliance@molex.com](mailto:productcompliance@molex.com)  
 Please visit the [Contact Us](#) section for any  
 non-product compliance questions.

China ROHS

ELV

RoHS Phthalates

Green Image

Not Relevant

Not Contained

**Search Parts in this Series**

[1625 Series](#)

**Mates With**

[03-06-1011](#)

**Use With**

Female Crimp Terminals [1561](#) , [4559](#) , [4529](#)  
 , [2190](#) , [2189](#) , [1787](#) , [1855](#) . Male Crimp  
 Terminals [1560](#) , [1786](#) , [1854](#) . [1778](#) Male  
 PC Tail Terminals. [1779](#) Female PC Tail  
 Terminals

This document was generated on 11/18/2016

**PLEASE CHECK [WWW.MOLEX.COM](http://WWW.MOLEX.COM) FOR LATEST PART INFORMATION**