

**PLEASE CHECK WWW.MOLEX.COM FOR LATEST PART INFORMATION**

**Part Number:** [0003091126](#)  
**Status:** **Active**  
**Overview:** Standard .093" Pin and Socket Connectors  
**Description:** 2.36mm Diameter Standard .093" Pin and Socket Receptacle Housing, 12 Circuits, 3 Rows

**Documents:**

|                                                      |                                                               |
|------------------------------------------------------|---------------------------------------------------------------|
| <a href="#">3D Model</a>                             | <a href="#">Product Specification PS-43660-9999-001 (PDF)</a> |
| <a href="#">Drawing (PDF)</a>                        | <a href="#">Packaging Specification PK-1360-001 (PDF)</a>     |
| <a href="#">Product Specification PS-02-09 (PDF)</a> | <a href="#">RoHS Certificate of Compliance (PDF)</a>          |

**Agency Certification**

|     |         |
|-----|---------|
| CSA | LR19980 |
| UL  | E29179  |

**General**

|                |                                                                               |
|----------------|-------------------------------------------------------------------------------|
| Product Family | Crimp Housings                                                                |
| Series         | <a href="#">1360</a>                                                          |
| Application    | Power, Wire-to-Wire                                                           |
| Comments       | 12.5A max. can be achieved when housing is used with 42477 or 42478 terminals |
| Overview       | <a href="#">Standard .093" Pin and Socket Connectors</a>                      |
| Product Name   | Standard .093"                                                                |
| UPC            | 800753614741                                                                  |

**Physical**

|                               |                 |
|-------------------------------|-----------------|
| Circuits (maximum)            | 12              |
| Color - Resin                 | Natural         |
| Flammability                  | 94V-2           |
| Gender                        | Receptacle      |
| Glow-Wire Compliant           | No              |
| Material - Resin              | Nylon           |
| Net Weight                    | 5.386/g         |
| Number of Rows                | 3               |
| Packaging Type                | Bag             |
| Panel Mount                   | No              |
| Pitch - Mating Interface      | 5.03mm          |
| Stackable                     | No              |
| Temperature Range - Operating | -40°C to +105°C |

**Electrical**

|                               |      |
|-------------------------------|------|
| Current - Maximum per Contact | 9.5A |
|-------------------------------|------|

**Solder Process Data**

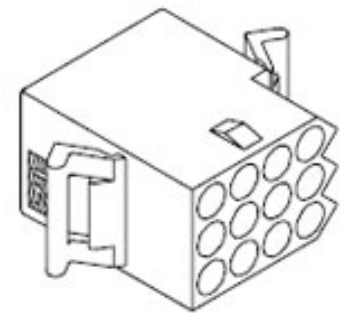
|                              |     |
|------------------------------|-----|
| Lead-free Process Capability | N/A |
|------------------------------|-----|

**Material Info**

|                    |         |
|--------------------|---------|
| Engineering Number | 1360-R3 |
|--------------------|---------|

**Reference - Drawing Numbers**

|                         |                             |
|-------------------------|-----------------------------|
| Packaging Specification | PK-1360-001                 |
| Product Specification   | PS-02-09, PS-43660-9999-001 |
| Sales Drawing           | SD-1360-*                   |



Series image - Reference only

**EU ELV**

**Not Relevant**

**EU RoHS**

**Compliant**

**REACH SVHC**

Not Contained Per - ED/21/2016 (20 June 2016)

**Halogen-Free**

**Status**

**Low-Halogen**

**Need more information on product environmental compliance?**

Email [productcompliance@molex.com](mailto:productcompliance@molex.com)  
Please visit the [Contact Us](#) section for any non-product compliance questions.

|                 |               |
|-----------------|---------------|
| China ROHS      | Green Image   |
| ELV             | Not Relevant  |
| RoHS Phthalates | Not Contained |

**Search Parts in this Series**

[1360 Series](#)

**Mates With**

[03-09-2121](#) , [03-09-2122](#) , [3099](#)

**Use With**

[1189](#) Crimp Terminals, [1190](#) Crimp Terminals, [1376](#) Male PC Tail Terminals, [1377](#) Female PC Tail Terminals, [1380](#) Male Crimp Terminals, [1381](#) Female Crimp Terminals, [1433](#) Crimp Terminals, [1434](#) Male Crimp Terminals, [1973](#)