

Analog Devices Welcomes Hittite Microwave Corporation

NO CONTENT ON THE ATTACHED DOCUMENT HAS CHANGED



HMC976* Product Page Quick Links

Last Content Update: 11/01/2016

[Comparable Parts](#)

View a parametric search of comparable parts

[Evaluation Kits](#)

- HMC976LP3E Evaluation Board

[Documentation](#)

Data Sheet

- HMC976 Data Sheet

[Reference Materials](#)

Quality Documentation

- Package/Assembly Qualification Test Report: 16L 3x3mm QFN Package (QTR: 11003 REV: 02)
- Package/Assembly Qualification Test Report: LP2, LP2C, LP3, LP3B, LP3C, LP3D, LP3F, LP3G (QTR: 2014-0364)
- Semiconductor Qualification Test Report: BiCMOS-A (QTR: 2013-00235)

[Design Resources](#)

- HMC976 Material Declaration
- PCN-PDN Information
- Quality And Reliability
- Symbols and Footprints

[Discussions](#)

View all HMC976 EngineerZone Discussions

[Sample and Buy](#)

Visit the product page to see pricing options

[Technical Support](#)

Submit a technical question or find your regional support number

* This page was dynamically generated by Analog Devices, Inc. and inserted into this data sheet. Note: Dynamic changes to the content on this page does not constitute a change to the revision number of the product data sheet. This content may be frequently modified.

THIS PAGE INTENTIONALLY LEFT BLANK



400mA LOW NOISE, HIGH PSRR LINEAR VOLTAGE REGULATOR

Typical Applications

The HMC976LP3E is ideal for:

- Test Instrumentation
- Military Radios, Radar and ECM
- Basestation Infrastructure
- Ultra Low Noise Frequency Generation
- Fractional-N Synthesizer Supply
- Microwave VCO Supply
- Mixed-Signal Circuit Supply
- Low Noise Baseband Circuit Supply

Features

High Output Current: 400mA

Low Dropout: 300mV at 400mA Output and $V_R > 3V$

Ultra Low Noise: $3nV/\sqrt{Hz}$ at 10 kHz, $6nV/\sqrt{Hz}$ at 1 kHz

High Power Supply Rejection Ratio (PSRR):

<-60 dB at 1 kHz, <-30 dB at 1 MHz

Adjustable Voltage Output: V_R 1.8 to 5V at 400mA

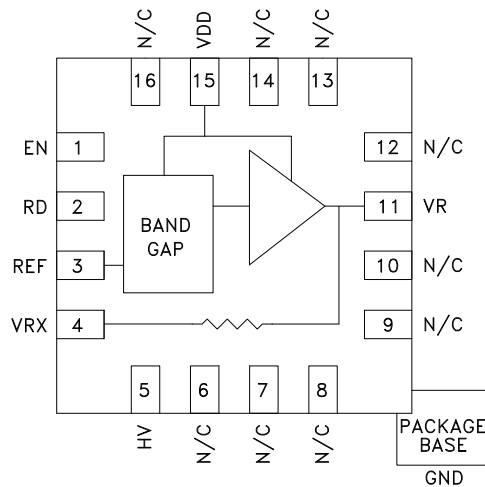
Designed to work with low ESR ceramic capacitors

Low Power-Down Current: <1 μA

Thermal Protection

16 Lead 3x3 mm SMT Package: 9mm²

Functional Diagram



General Description

The HMC976LP3E is a BiCMOS ultra low noise linear voltage regulator. The high Power Supply Rejection Ratio (PSRR) in the 0.1 MHz to 10 MHz range provides excellent rejection of any preceding switching regulator or other power supply noise. The voltage output is ideal for frequency generation subsystems including Hittite's broad line of PLLs with integrated VCOs.

The output voltage can be adjusted lower than the default value by using one external resistor. The output can be set to 5V by grounding the HV pin. The regulator can be powered down by the TTL-compatible Enable input. The HMC976LP3E is housed in a 3x3mm QFN SMT package.

Table 1. Electrical Specifications, $T_A = +25^\circ C$

Parameter	Conditions	Min	Typ	Max	Units
Output Voltage VR (Default)	$V_{dd} = 5.5V$; Maximum load current	4.7	4.8	4.9	V
Output Voltage VR (5V setting)	$V_{dd} = 5.5V$; Maximum load current	4.9	5	5.1	V
Output Voltage Tolerance	$V_{dd} = 5.5V$; Maximum load current; Default and 5V setting			2	%
Input Voltage Range (Default)	Default output voltage configuration	5.1		5.5	V
Input Voltage Range	For $V_R > 3V^{[1]}$ $V_{DD} > V_R + 0.3V$	3.3		5.5	V
Output Voltage Range VR	Set by external resistors.	1.8		5.1	V

[1] See Absolute Maximum Ratings Table "Absolute Maximum Ratings"

Table 1. Electrical Specifications (Continued)

Parameter	Conditions	Min	Typ	Max	Units
Reference Voltage VREF	Vdd = 5.5V; REF cannot source/sink external current		1.17		V
Output Current VR ^[1]	T _A = -40°C to +85°C			400	mA
Output Noise Spectral Density 10 Hz 100 Hz 1 kHz 10 kHz 100 kHz	Vdd = 5.5V; VR = 5.0V Measured on Application Schematic ^[3] Maximum Load Current		4000 120 6 3 3		nV/rtHz
Integrated Output Noise 100 Hz to 100 kHz	Vdd = 5.5V; VR = 5.0V ^[3]		1.5		μVrms
Load Regulation, VR	Vdd = 5.5V; VR=5.0V			0.01	% / mA
PSRR 1 kHz 10 kHz 100 kHz 1 MHz 10 MHz 50 MHz	Vdd = 5.5V; VR=5.0V Maximum load current		-70 -65 -45 -35 -30 -20		dB
Output Voltage Variation vs. Package Base Temperature 25°C to 85°C -40°C to 25°C	Vdd = 5.5V; VR=5.0V Maximum load current		0.005 0.005	0.01 0.01	% / °C % / °C
Current Consumption (I _{GND})	Ven = Vdd = 5.5V; Maximum Load Current		1.1	1.5	mA
Power Down Current	Vdd = 5.5V; EN = Low; Output is floating (high - impedance) in Power-Down mode			1	μA
Start-Up Transient Time	0 to 90% of final voltage Vdd = 5.5V ^[3]			200	ms
Enable Input EN High Level	Vdd ≥ VEN	2		Vdd	V
Enable Input EN Low Level	Vdd ≥ VEN	0		0.8	V
Output Load Capacitance ^[2]	To guarantee stability, noise and PSRR performance ^[3]	4.7			μF
Thermal Protection Threshold Junction Temperature ^[4]	Junction Temperature Rising	115	130		°C
Thermal Protection Hysteresis			10		°C

[1] The regulator does not include short-circuit protection circuitry. The outputs will withstand short-circuit conditions for a duration <10s. The thermal protection is not intended to be used as a short circuit protection

[2] HMC976LP3E was designed to work with low ESR ceramic capacitors connected to pin 4 VRX.

[3] See HMC976LP3E 5.0V User Application Schematic herein

[4] See figures 14,15, and 16

400mA LOW NOISE, HIGH PSRR LINEAR VOLTAGE REGULATOR

Figure 1. Vout=5V Output Noise Spectral Density [1]

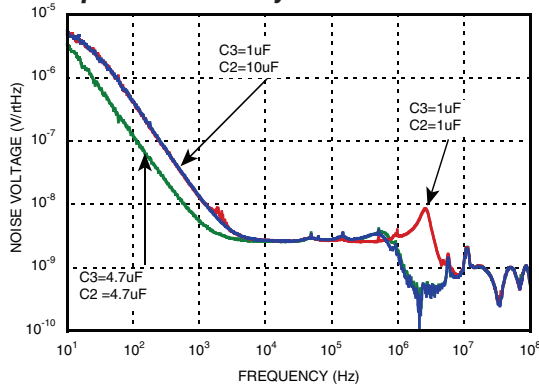


Figure 2. Vout=3.3V Output Noise Spectral Density [2]

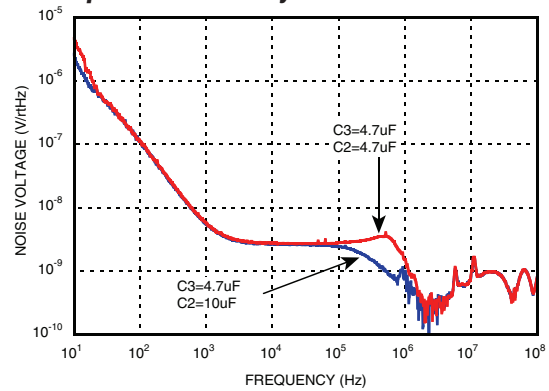


Figure 3. Vout 4.8V PSRR vs. Vin-Vout [3]

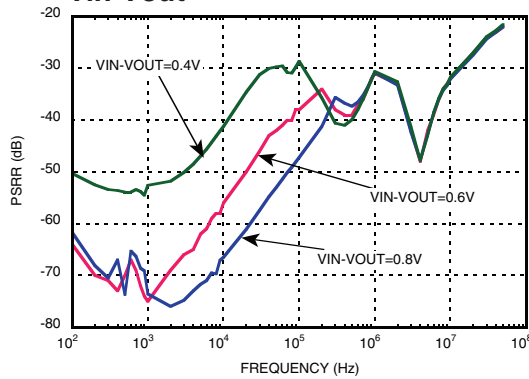


Figure 4. Vout=3.3V PSRR vs. Vin-Vout [2]

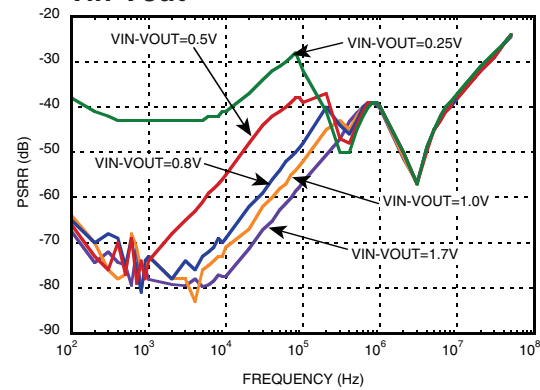


Figure 5. Vout=5V and Vref vs. Temperature [1,4]

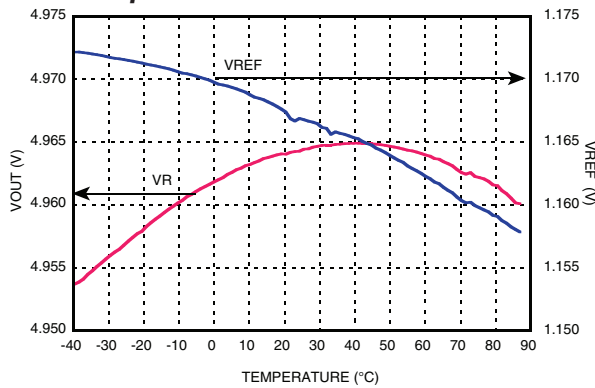
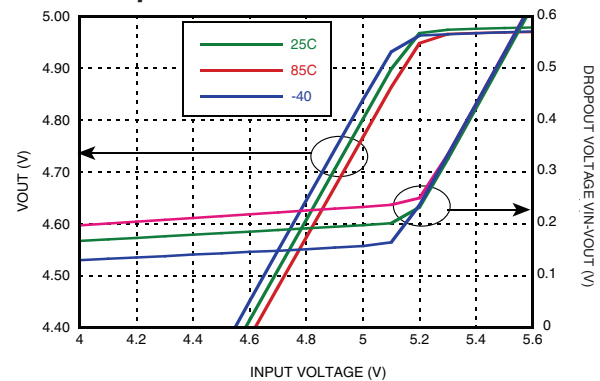


Figure 6. Vout=5V and Vref vs. Temperature [1,4]



[1] VDD=5.5V,400mA Load see ["HMC976LP3E 5V User Application Schematic"](#)

[2] VDD=5.0V,400mA Load see ["HMC976LP3E 3.3V User Application Schematic"](#)

[3] VDD=5.5V,400mA Load see ["HMC976LP3E 4.8V User Application Schematic"](#)

[4] Temperature is the ambient temperature of the standard HMC976LP3E evaluation board, still air.

400mA LOW NOISE, HIGH PSRR LINEAR VOLTAGE REGULATOR

Figure 7. Output Load Switched OFF to ON [1]

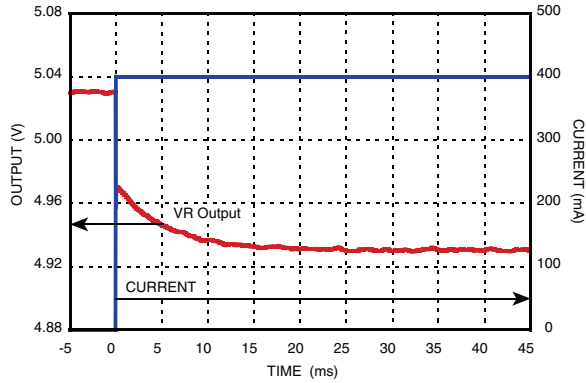


Figure 8. Output Load Switched ON to OFF [1]

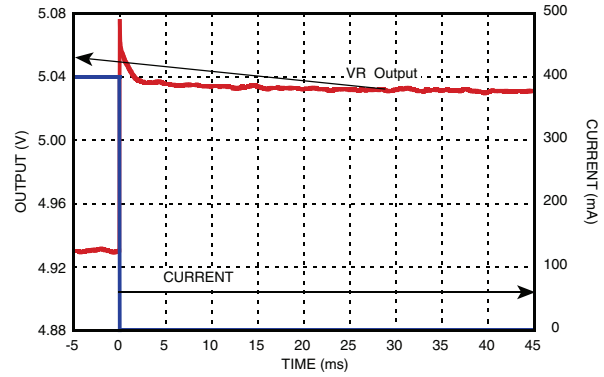


Figure 9. Supply Turn-On Transient [2]

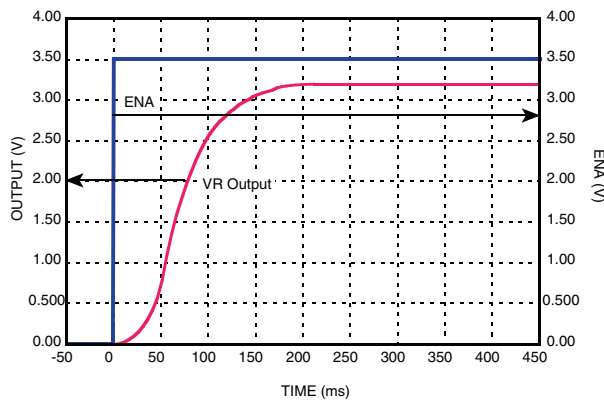


Figure 10. Supply Turn-Off Transient [2]

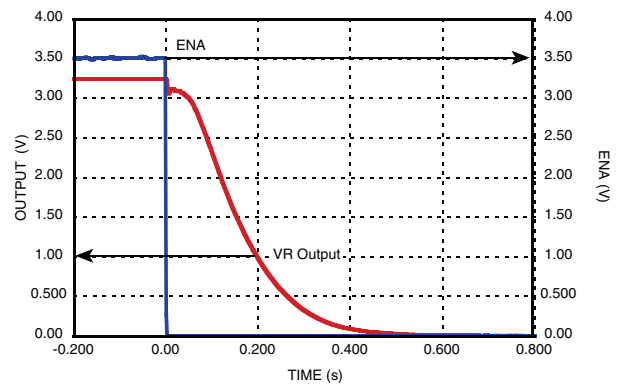


Figure 11. HMC976LP3E Output Noise Spectral Density vs. Commercial PSU [1]

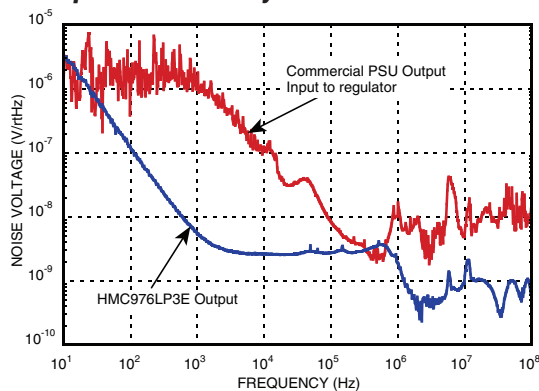
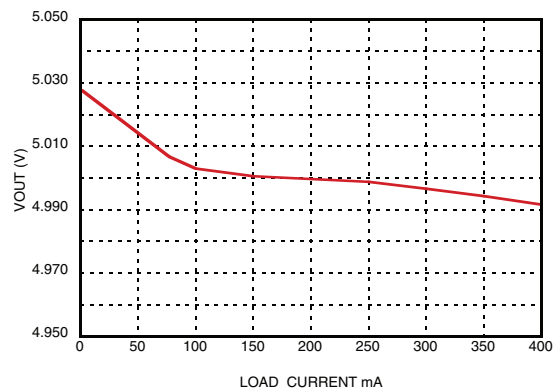


Figure 12. Vout vs. Load current [1]



[1] VDD=5.5V, 400mA Load [“HMC976LP3E 5V User Application Schematic”](#).

[2] VDD=5.0V, 400mA Load [“HMC976LP3E 3.3V User Application Schematic”](#)

400mA LOW NOISE, HIGH PSRR LINEAR VOLTAGE REGULATOR

Table 2. Absolute Maximum Ratings

Vdd to GND Voltage	+5.8V / -0.3V
EN to GND Voltage	+5.8V / -0.3V
RDx / HVx to GND Voltage	+5.8V / -0.3V
Maximum Dissipation	780mW
Thermal Resistance (Junction to Ambient)	51.5 °C/W [3]
Thermal Resistance (Junction to Case, Ground Paddle)	18 °C/W
Maximum Junction Temperature	+150 °C
Max Output Current	420 mA
Storage Temperature	-65 to +150 °C
ESD Sensitivity (HBM)	Class 1C

Stresses above those listed under Absolute Maximum Ratings may cause permanent damage to the device. This is a stress rating only; functional operation of the device at these or any other conditions above those indicated in the operational section of this specification is not implied. Exposure to absolute maximum rating conditions for extended periods may affect device reliability. The absolute maximum ratings apply individually only, not in combination.

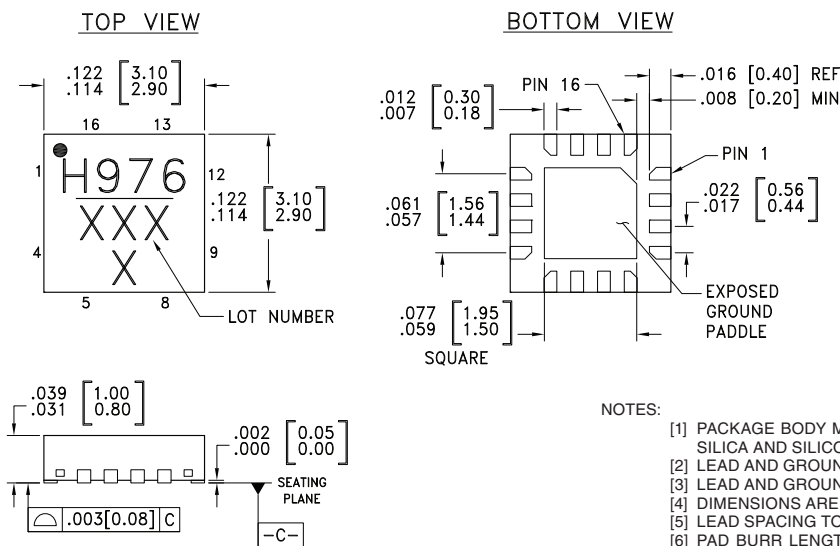


**ELECTROSTATIC SENSITIVE DEVICE
OBSERVE HANDLING PRECAUTIONS**

Table 3. Recommended Operating Condition

Parameter	Condition	Min.	Typ.	Max.	Units
Junction Temperature				115	°C
Ambient Temperature		-40		85	°C

Outline Drawing



NOTES:

- [1] PACKAGE BODY MATERIAL: LOW STRESS INJECTION MOLDED PLASTIC SILICA AND SILICON IMPREGNATED.
- [2] LEAD AND GROUND PADDLE MATERIAL: COPPER ALLOY.
- [3] LEAD AND GROUND PADDLE PLATING: 100% MATTE TIN.
- [4] DIMENSIONS ARE IN INCHES [MILLIMETERS].
- [5] LEAD SPACING TOLERANCE IS NON-CUMULATIVE.
- [6] PAD BURR LENGTH SHALL BE 0.15mm MAX. PAD BURR HEIGHT SHALL BE 0.25m MAX.
- [7] PACKAGE WARP SHALL NOT EXCEED 0.05mm
- [8] ALL GROUND LEADS AND GROUND PADDLE MUST BE SOLDERED TO PCB GROUND.
- [9] REFER TO HITTITE APPLICATION NOTE FOR SUGGESTED PCB LAND PATTERN.

Table 4. Package Information

Part Number	Package Body Material	Lead Finish	MSL Rating	Package Marking ^[1]
HMC976LP3E	RoHS-compliant Low Stress Injection Molded Plastic	100% matte Sn	MSL1 ^[2]	976 XXX X

[1] 4-Digit lot number XXXX

[2] Max peak reflow temperature of 260 °C

[3] For standard HMC976LP3E evaluation board, no heat sink (HS) and no air flow, see figures 14, 15, and 16

Table 5. Pin Descriptions

Pin Number	Function	Description	Interface Schematic
1	EN	Enable Input, TTL Logic Level. The VR and VRX outputs are floating (high impedance) when EN = Low.	
2	RD	Resistive feedback for VR, see "Output Voltage Adjust" section.	
3	REF	Reference voltage (bandgap) output. Cannot be used to source/sink current to/from external circuits	
4	VRX	For Decoupling Capacitor Cannot be used to source current to external circuits	
11	VR	Regulator Output VR 400mA	
5	HV	Sets VR to 5V output when grounded	
6 - 10, 12 - 14,16	N/C	These pins can be left unconnected or connected to GND with no change in performance	
15	VDD	Unregulated power supply input 5.5V max	
Package Base	GND	Must contact PCB ground	

Evaluation PCB

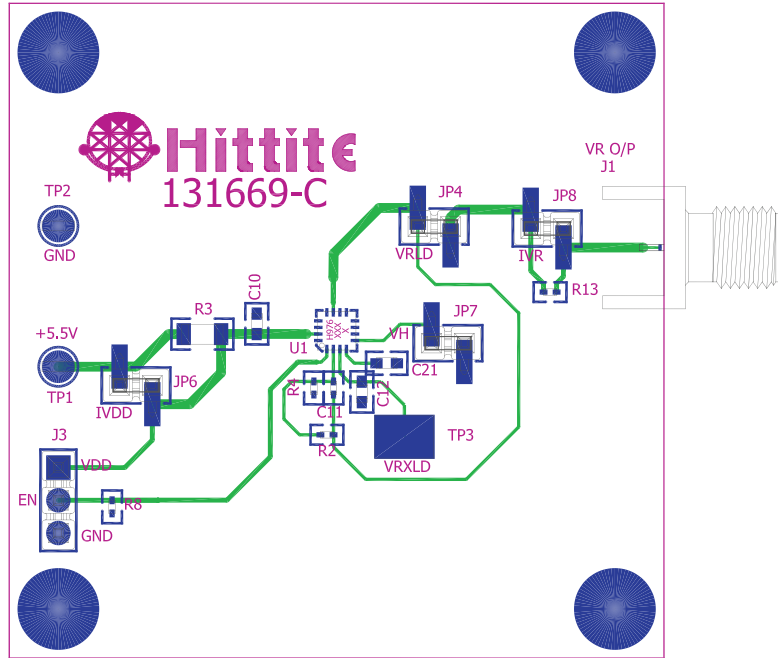


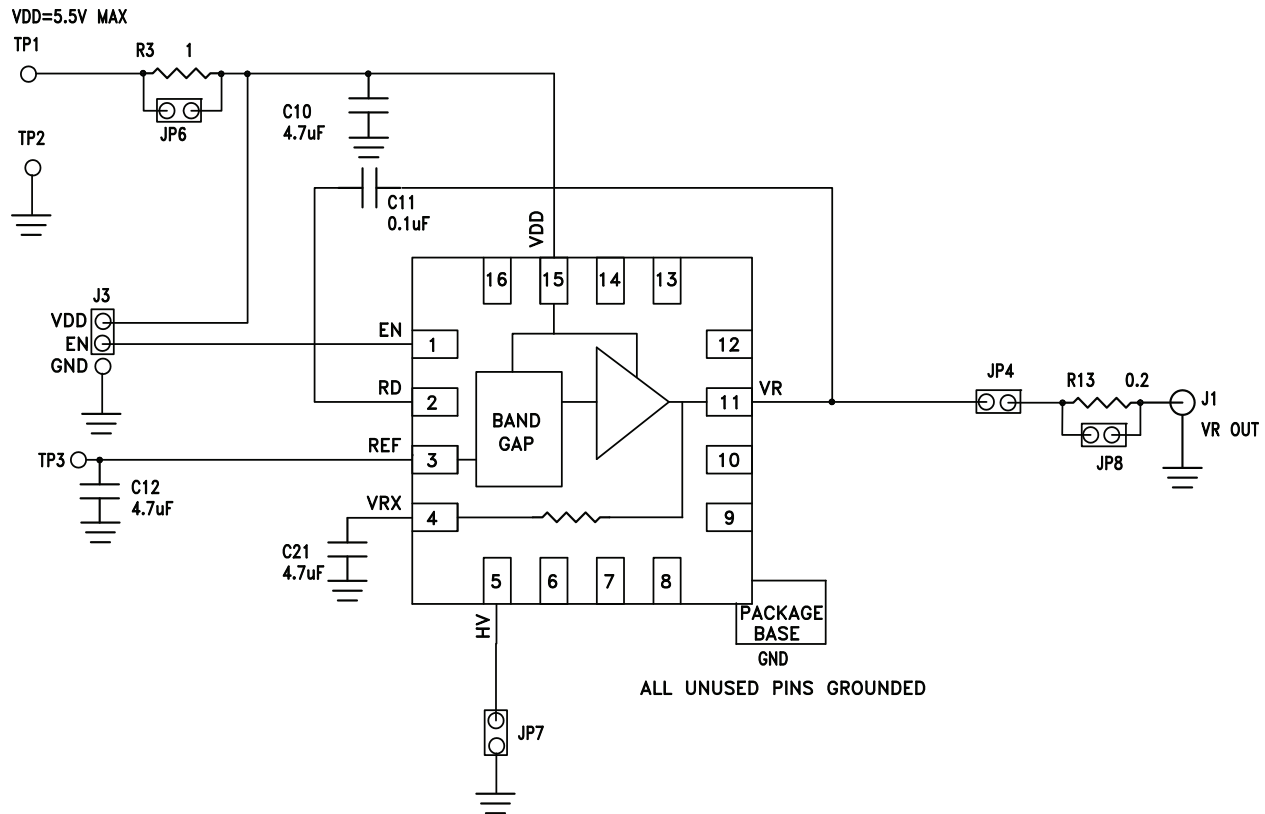
Table 6. Ordering Information

Item	Contents	Part Number
Evaluation PCB	HM976LP3E Evaluation PCB	131671-HMC976LP3E

Table 7. List of Materials for Evaluation PCB 131671

Item	Contents
J1	PCB Mount SMA connector
J3	3 Pin Header
JP4, JP6, JP7, JP8,	2 Pin Header and Jumper
C10, C12, C21	4.7µF Capacitor 0603 Pkg.
C11	0.1µF Capacitor 0402 Pkg.
R13	0.2 Ohm Resistor 0402 Pkg.
R3	1 Ohm Resistor 0402 Pkg.
R8	100 kOhm Resistor 0402 Pkg.
TP1, TP3	Test Point PC Compact Red
TP2	Test Point PC Compact Black
U1	HMC976LP3E 400mA Low Noise, High PSRR Linear Voltage Regulator
PCB	131669 Eval Board

Figure 13. Evaluation PCB Schematic



Operational Features

The recommended configuration is [“HMC976LP3E 4.8V User Application Schematic”](#). This is for the default output voltage of 4.8V nominal. The values shown are those recommended for optimum Noise Spectral density. For users requiring extremely low noise in the 1 MHz to 10 MHz range the largest output capacitor should be used: a 68uF takes the noise between 100 kHz and 1 MHz to below 2.5nV/√Hz.

Load Capacitor Characteristics

The HMC976LP3E was designed to work with a low ESR ceramic load capacitor on the VRX pin (C21 in the schematic above). Low ESR ceramic capacitors are very small and best for eliminating high frequency noise. Ceramic capacitors can vary as much as 50% versus temperature and 60% versus voltage, dependant on the ceramic type e.g. Z5U, Y5V, X7R or X5R. There are no restrictions on ceramic type or minimum ESR, only that the user must guarantee that the minimum output capacitance over operating conditions is 4.7µF, smaller values can result in noise peaking or lower stability.

Output Voltage Adjustment

The default output voltage is 4.8V this configuration "[HMC976LP3E 4.8V User Application Schematic](#)".

The output voltage can be set to 5V by a ground on HV pin 5 "[HMC976LP3E 5V User Application Schematic](#)".

The output voltage can be set from 1.8V to <4.8V by a resistor from pin 2 to the output pin 11 shown in "[HMC976LP3E 3.3V User Application Schematic](#)". The value of the resistor is given by the equation below.

$$R1 = \frac{\left(\left(\frac{V_{out}}{1.17} \right) - 1 \right) * 18.9}{1 - 0.32 * \left(\left(\frac{V_{out}}{1.17} \right) - 1 \right)} \quad (\text{Kohms})$$

If the temperature stability performance similar to that shown in the plot "[Vout=5V and Vref vs. Temperature](#)" is required, then any external resistor temperature coefficient is a critical parameter and should be better than 50ppm and 1% tolerance. Please note that the temperature coefficient of the internal resistor feedback divider is 270ppm/°C.

Layout of PCB

The layout of the PCB should follow these guide lines, the PADDLE should be connected to ground with at least 5 vias directly under the paddle to the bottom side ground plane. To ensure the noise and PSRR specifications are met, the capacitors connecting to Pins 15, 11, 3 (see user application schematics), should be placed as close as possible to the relevant pin and the ground connection should be as short as possible. Trace widths and via sizes should be scaled to match the current drawn. The use of a large ground plane is recommended with a large number of ground vias near the device to carry the ground.

Thermal Protection

The HMC976LP3E includes an integrated thermal protection circuit. If the junction temperature of the HMC976LP3E reaches the maximum operating junction temperature (115°C max, 130°C typical) then the thermal protection circuit temporarily disables the HMC976LP3E outputs (with ~500uA output current) until the junction temperature cools down by approximately 10°C.

A typical reason for the increase of the junction temperature is an unexpected increase in current draw. By disabling the outputs, the HMC976LP3E is in this case protecting the other devices on the PCB that it is supplying with current. The thermal protection circuitry will also indirectly protect against a short circuit at the output. After the overload or the fault condition is removed or changed, the regulator output returns to the nominal operation

For reliable long term operation the "[Recommended Operating Condition](#)" must be followed and the maximum junction temperature must not be exceeded. The junction temperature for a given dissipation can be calculated from the equation below:

$$T_j = T_a + \left(P_d \times \theta_{ja} \right)$$

Where T_j=Junction Temperature (°C), T_a=Ambient Temperature (°C), P_d=Dissipated Power (W) θ_{ja}=Thermal Resistivity Junction to Ambient (°C/W). Please refer to Table 2 for thermal resistance values.



400mA LOW NOISE, HIGH PSRR LINEAR VOLTAGE REGULATOR

Thermal dissipation should be taken into account at all times especially with large dropout voltages VDD-VR, i.e. if 1.8V output is required from 5.5V input voltage, then the output current must be restricted to <210mA, or VDD restricted to <3.75V for a 400mA load.

The exact maximum operating temperature before the thermal protection circuit activates is largely dependent on the customer PCB design. Below is an example for maximum ambient temperature calculation for the standard HMC976LP3E evaluation PCB with no heat sink and no air flow (fans). Customers should perform this calculation for their PCB layout and operating conditions.

$$V_{IN}=5.5V, V_{out}=5.0V, I_{out}=400mA$$

$$V_{dropout}=V_{IN}-V_{OUT}=0.5V$$

$$\text{Dissipated power on regulator } P_d=0.5V \times 0.4A=0.2W$$

$$\theta_{ja}=51.5^{\circ}C/W$$

Junction temperature increase using standard HMC976 board: $DT_j=P_d \times \theta_{ja}=10.3^{\circ}C$. Thermal shutdown junction temperature of regulator (absolute min) $T_{sdwn}=+115^{\circ}C$. Maximum corresponding ambient temperature $T_{a_max} = T_{sdwn} - DT_j = +104.7^{\circ}C$

The plots below show how the PCB ground copper area affects the HMC976LP3E junction temperature for different HMC976LP3E power dissipation conditions. The following cases are included in the plots:

1. 100 mm² Copper Area
2. 1000 mm² Copper Area
3. 2580 mm² Copper Area HMC976LP3E Evaluation PCB No Heat Sink (HS)
4. 2580 mm² Copper Area HMC976LP3E Evaluation PCB with Heat Sink (HS)
5. JEDEC Board as per JESD51-3

The typical corresponding θ_{ja} is shown in Table 8:

Table 8. Typical θ_{ja} for specified PCB Copper Sizes

Copper size (mm ²)	θ_{ja} (°C/W)
100	173.5
1000	57.3
2580 no HS	51.5
2580 with HS	44

Figure 14. HMC976LP3E JUNCTION TEMPERATURE °C vs. TOTAL POWER DISSIPATION 25°C AMBIENT

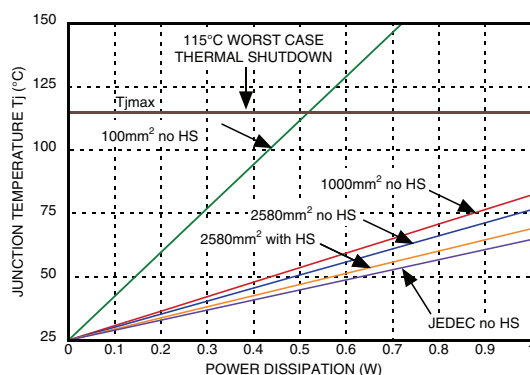
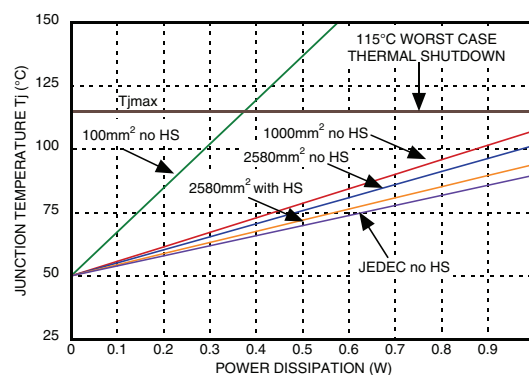


Figure 15. HMC976LP3E JUNCTION TEMPERATURE °C vs. TOTAL POWER DISSIPATION 50°C AMBIENT



**Figure 16. HMC976LP3E JUNCTION TEMPERATURE
°C vs. TOTAL POWER DISSIPATION 85°C AMBIENT**

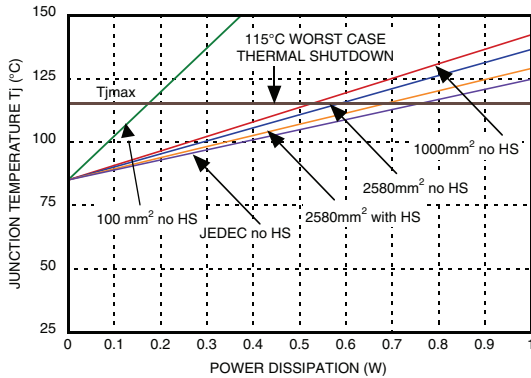


Figure 17. HMC976LP3E 3.3V User Application Schematic

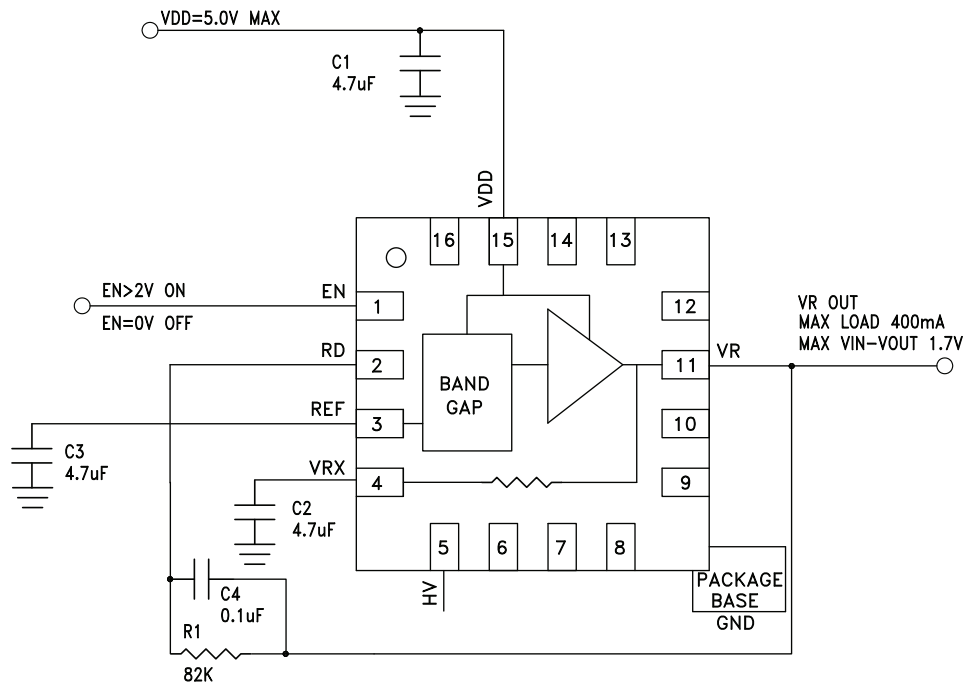


Figure 18. HMC976LP3E 4.8V User Application Schematic

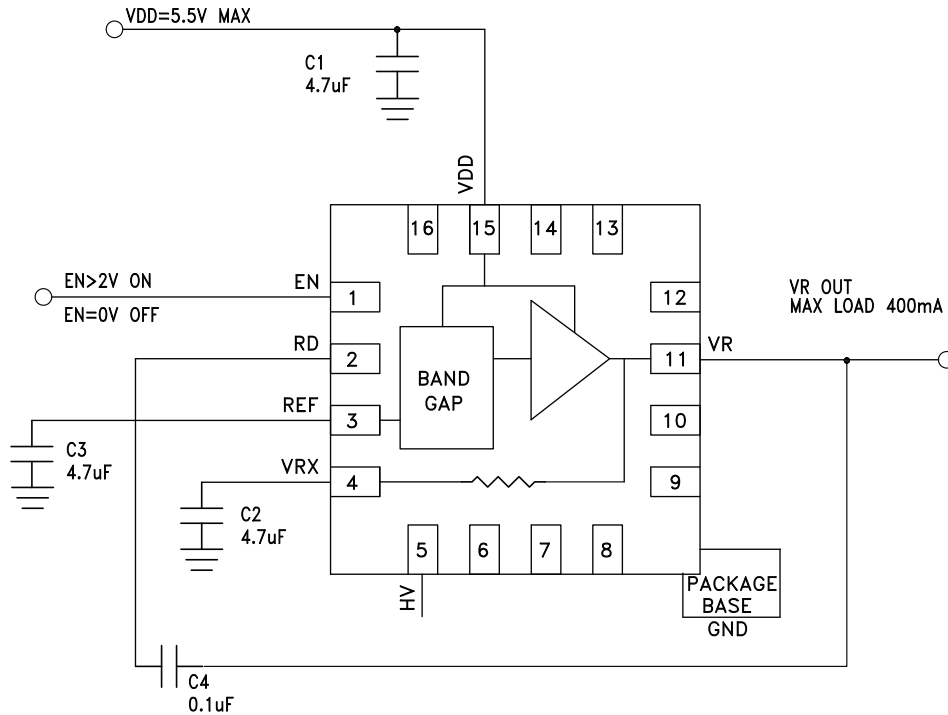


Figure 19. HMC976LP3E 5V User Application Schematic

