

# 24vdc 625mA 15W Desktop Power Supply

**PowerPax**



This switch mode power supply is rated to 15W maximum, providing a regulated 24vdc output at up to 625mA with no minimum load. The unit meets latest CoC Tier 1 / Level VI efficiency standards and will be uprated to CoC Tier 2 requirements before the requirement is made mandatory. This power supply carries full safety approvals. Short circuit and over current protection is integral.

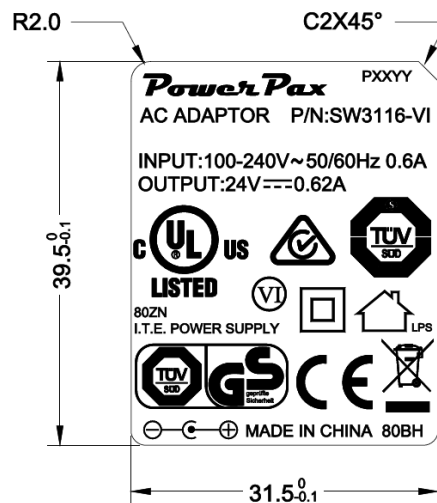
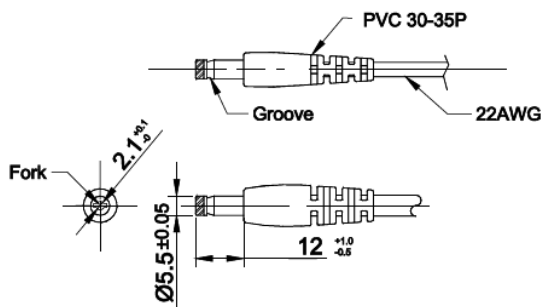
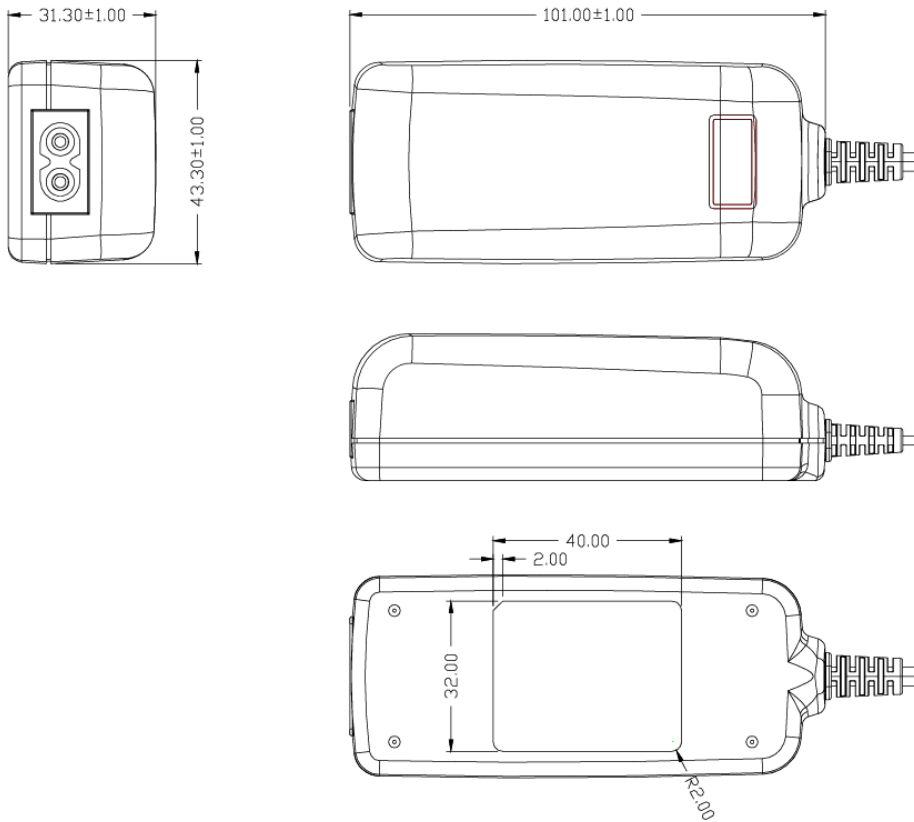
<b>Part Numbers</b>	SW3116-VI	<b>Power Consumption (no load)</b>	0.1W max
<b>Output</b>	24vdc 625mA max. (No min. load)	<b>Input Power (max)</b>	18.77W max
<b>Power</b>	15 Watts	<b>Input Current (RMS Max.)</b>	0.6A max
<b>Line Reg</b>	+/-5% at rated load	<b>Hi-Pot Spec</b>	3000Vac 10mA 1 min. (I.P. to O.P.)
<b>Total Output Regulation</b>	+/-5 % at 0—100% load	<b>Output cable</b>	1.8 Metres 24AWG 2468
<b>Ripple &amp; Noise (mV p-p)</b>	200mV	<b>Operating Temperature</b>	0 to 40 degrees C
<b>Protections</b>	Over Current and Short Circuit	<b>Storage Temperature</b>	-20 to 80 degrees C
<b>Case Size</b>	101 x 43.3 x 31.3mm (Page2)	<b>Operating Humidity</b>	10% to 90%
<b>DC Plug</b>	2.1 x 5.5 x 12mm tuning fork	<b>Safety Approvals</b>	UL, CSA, TUV, CE, SAA
<b>Polarity</b>	+ve Centre	<b>EMC Standards</b>	EN55022:2010 Class B / FCC Part B
<b>Rated Input Voltage</b>	100-240Vac	<b>MTBF</b>	50K Hours at 25 degrees C
<b>Full Input Voltage Range</b>	90-264Vac	<b>MTBF</b>	50K Hours at 25 degrees C
<b>Rated Frequency</b>	50-60Hz	<b>Plastic Case</b>	UL94V-1
<b>Full Frequency Range</b>	47-63Hz		
<b>Efficiency</b>	Level VI (84.13% minimum)		

Full spec sheet on this PSU is available on request. PowerPax Ltd accepts no responsibility for typographical errors in the production of this leaflet. Product specifications are subject to change without notice



# 24vdc 625mA 15W Desktop Power Supply

**PowerPax**



Full spec sheet on this PSU is available on request. PowerPax Ltd accepts no responsibility for typographical errors in the production of this leaflet. Product specifications are subject to change without notice

