

9vdc 0.66A 6W European Power Supply

PowerPax



This switch mode power supply is rated to 6W maximum, providing a regulated 9vdc output at up to 0.66A with no minimum load. The unit meets latest CoC Tier 1 / Level VI efficiency standards and will be updated to CoC Tier 2 requirements before the requirement is made mandatory. This power supply carries full safety approvals. Short circuit and over current protection is integral.

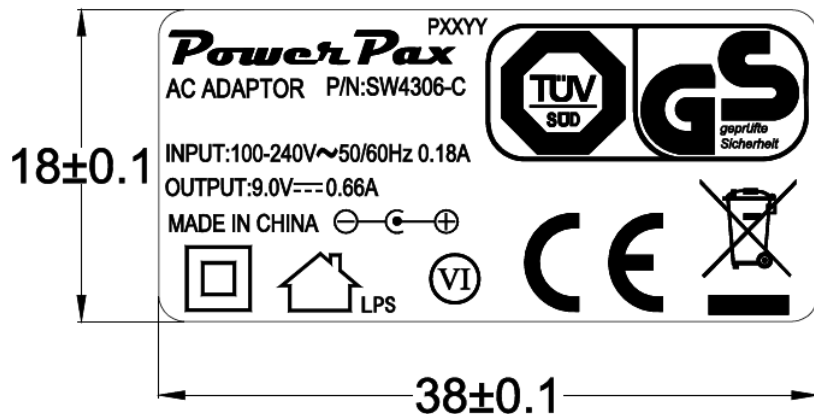
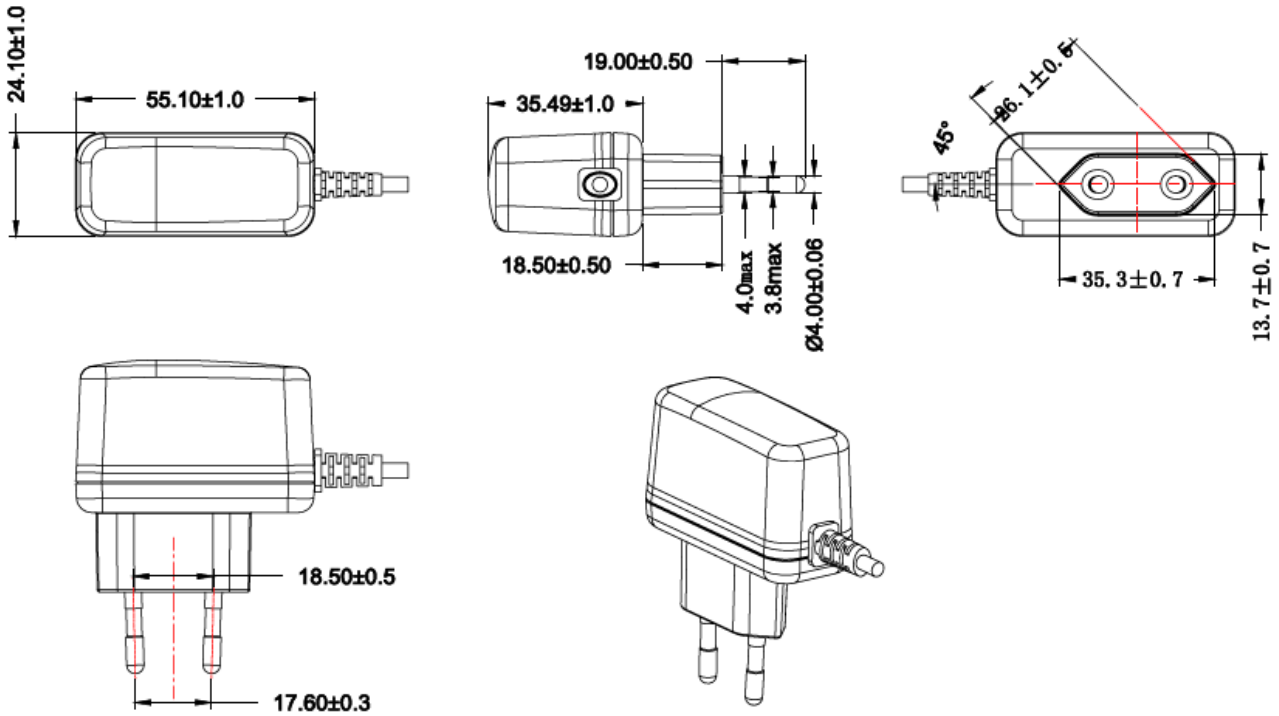
Part Numbers	SW4306-C	Power Consumption (no load)	0.1W max
Output	9vdc 0.66A max. (No min. load)	Input Power (max)	7.93W max
Power	6 Watts	Input Current (RMS Max.)	0.18A max
Line Reg	+/-5% at rated load	Hi-Pot Spec	3000Vac 10mA 1 min. (I.P. to O.P.)
Total Output Regulation	+/-5 % at 0—100% load	Output cable	1.8 Metres 24AWG 2468
Ripple & Noise (mV p-p)	200mV	Operating Temperature	0 to 40 degrees C
Protections	Over Current and Short Circuit	Storage Temperature	-20 to 80 degrees C
Case Size	See Page2	Operating Humidity	10% to 90%
DC Plug	2.5 x 5.5 x 12mm	Safety Approvals	CE,
Polarity	+ve Centre	EMC Standards	EN55022:2010 Class B / FCC Part B
Rated Input Voltage	100-240Vac	MTBF	50K Hours at 25 degrees C
Full Input Voltage Range	90-264Vac	MTBF	50K Hours at 25 degrees C
Rated Frequency	50-60Hz	Plastic Case	UL94V-1
Full Frequency Range	47-63Hz		
Efficiency	Level VI (78.82% average)		

Full spec sheet on this PSU is available on request. PowerPax Ltd accepts no responsibility for typographical errors in the production of this leaflet. Product specifications are subject to change without notice



9vdc 0.66A 6W European Power Supply

PowerPax



Full spec sheet on this PSU is available on request. PowerPax Ltd accepts no responsibility for typographical errors in the production of this leaflet. Product specifications are subject to change without notice

