

12vdc 500mA 6W UK Plug Top Power Supply

PowerPax



This switch mode power supply is rated to 6W maximum, providing a regulated 12vdc output at up to 500mA with no minimum load. The unit meets latest CoC Tier 1 / Level VI efficiency standards and will be updated to CoC Tier 2 requirements before the requirement is mandatory. This power supply carries full safety approvals. Short circuit and over current protection is integral.

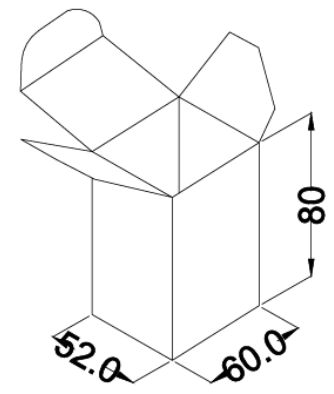
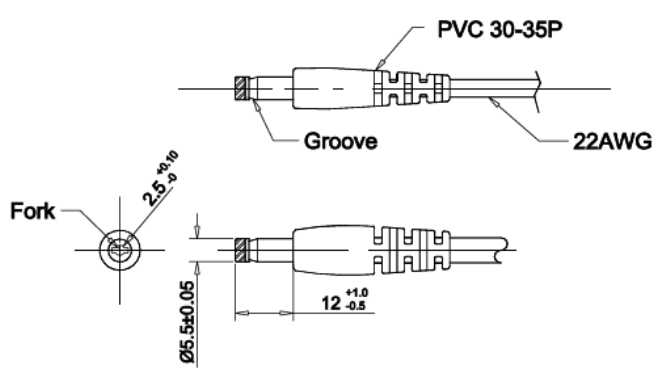
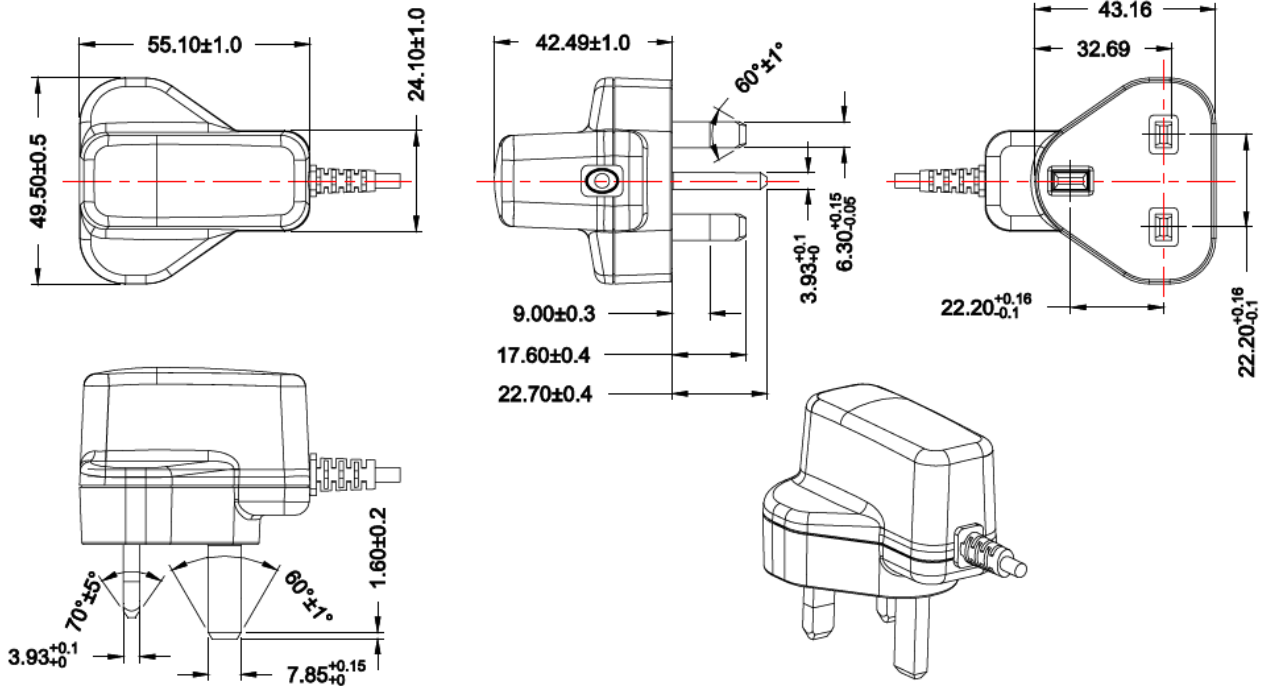
Part Numbers	SW4381-C	Power Consumption (no load)	0.075W max
Output	12vdc 500mA max. (No min. load)	Input Power (max)	8W max
Power	6 Watts	Input Current (RMS Max.)	0.18A max
Line Reg	+/-5% at rated load	Hi-Pot Spec	3000Vac 10mA 1 min. (I.P. to O.P.)
Total Output Regulation	+/-5% at 0—100% load	Output cable	1.8 Metres 22AWG 2468
Ripple & Noise (mV p-p)	200mV	Operating Temperature	0 to 40 degrees C
Protections	Over Current and Short Circuit	Storage Temperature	-20 to 80 degrees C
Case Size	55.1 x 49.5 x 42.49mm (Page2)	Operating Humidity	10% to 90%
DC Plug	2.5 x 5.5 x 12mm tuning fork	Safety Approvals	BS EN60950-1 / CE marked
Polarity	+ve Centre	EMC Standards	EN55022:2010 Class B / FCC Part B
Rated Input Voltage	100-240Vac	MTBF	50K Hours at 25 degrees C
Full Input Voltage Range	90-264Vac	MTBF	50K Hours at 25 degrees C
Rated Frequency	50-60Hz	Plastic Case	UL94V-1
Full Frequency Range	47-63Hz		
Efficiency	Level VI (79.03% minimum) at 25% + loading		

Full spec sheet on this PSU is available on request. PowerPax Ltd accepts no responsibility for typographical errors in the production of this leaflet. Product specifications are subject to change without notice



12vdc 500mA 6W UK Plug Top Power Supply

PowerPax



Full spec sheet on this PSU is available on request. PowerPax Ltd accepts no responsibility for typographical errors in the production of this leaflet. Product specifications are subject to change without notice

