

12vdc 1A 12W UK Plug Top Power Supply

PowerPax



This switch mode power supply is rated to 12W maximum, providing a regulated 12vdc output at up to 1 Amp with no minimum load. The unit meets latest CoC Tier 1 / Level VI efficiency standards and will be upgraded to CoC Tier 2 requirements before the requirement is mandatory. This power supply carries full safety approvals. Short circuit and over current protection is integral.

Part Numbers	SW4382-C
Output	12vdc 1A max. (No min. load)
Power	12 Watts
Line Reg	+/-5% at rated load
Total Output Regulation	+/-5 % at 0—100% load
Ripple & Noise (mV p-p)	200mV
Protections	Over Current and Short Circuit
Case Size	Page2
DC Plug	2.5 x 5.5 x 12mm tuning fork
Polarity	+ve Centre
Rated Input Voltage	100-240Vac
Full Input Voltage Range	90-264Vac
Rated Frequency	50-60Hz
Full Frequency Range	47-63Hz
Efficiency	Level VI (82.96% minimum)

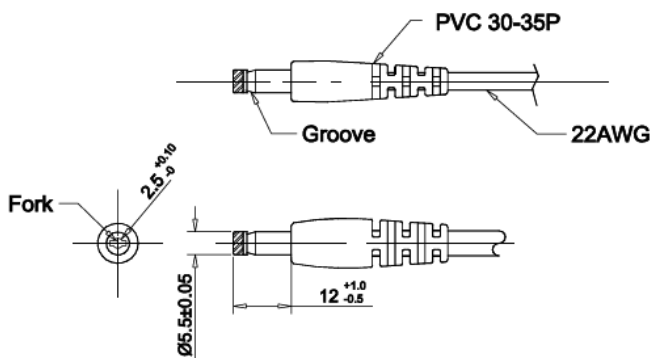
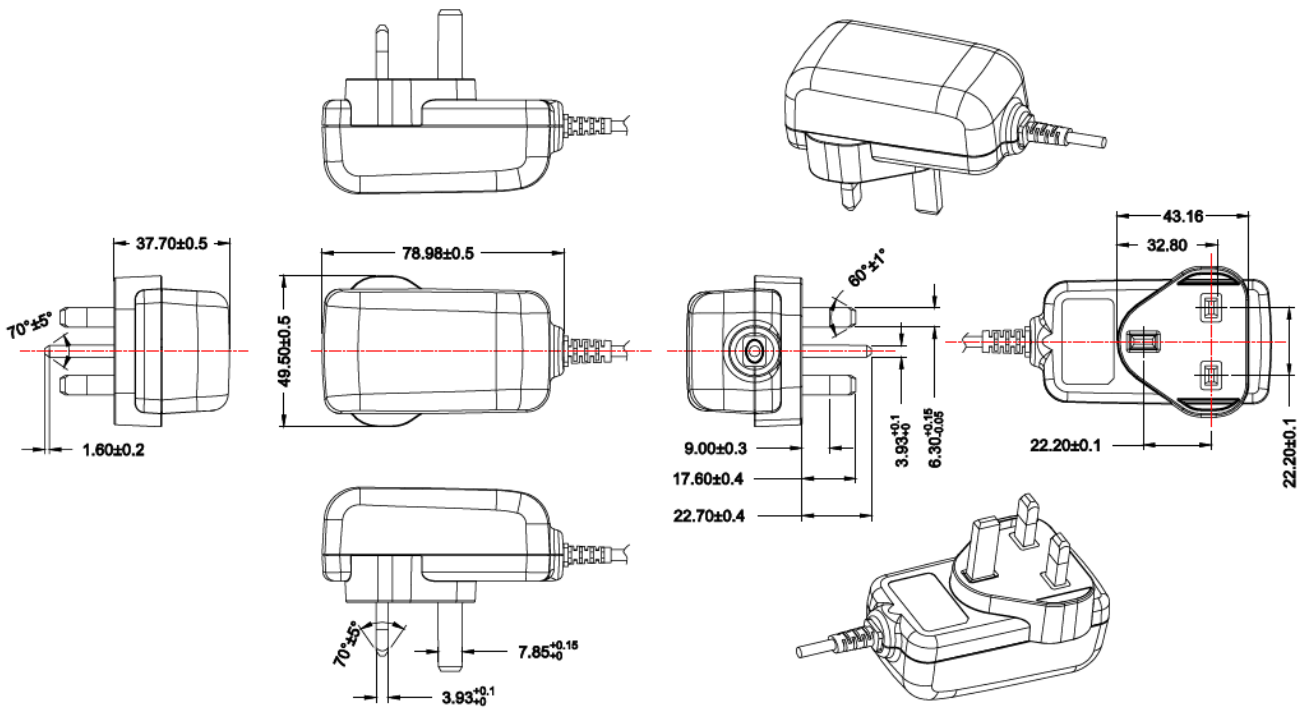
Power Consumption (no load)	0.1W max
Input Power (max)	15.23W max
Input Current (RMS Max.)	0.4A max
Hi-Pot Spec	3000Vac 10mA 1 min. (I.P. to O.P.)
Output cable	1.5 Metres 22AWG 2468
Operating Temperature	0 to 40 degrees C
Storage Temperature	-20 to 80 degrees C
Operating Humidity	10% to 90%
Safety Approvals	BS EN60950-1 / CE marked
EMC Standards	EN55022:2010 Class B / FCC Part B
MTBF	50K Hours at 25 degrees C
MTBF	50K Hours at 25 degrees C
Plastic Case	UL94V-1

Full spec sheet on this PSU is available on request. PowerPax Ltd accepts no responsibility for typographical errors in the production of this leaflet. Product specifications are subject to change without notice



12vdc 1A 12W UK Plug Top Power Supply

PowerPax



Full spec sheet on this PSU is available on request. PowerPax Ltd accepts no responsibility for typographical errors in the production of this leaflet. Product specifications are subject to change without notice

