

12VDC 2A International power supply



Description:

This 12VDC 2A power supply has a 90-264vac input & comes supplied complete with UK, European, USA and Australian pins as standard. It carries full international safety approvals making it suitable for world use. Meeting latest level VI requirements and featuring high reliability with a M.T.B.F of 50K hours at 25 degrees C, the units provides a single voltage regulated 12vdc output up to 2 amps max, & is fitted with a 2.1 x 5.5 x 12mm RIGHT ANGLE conn. Polarity + ve centre

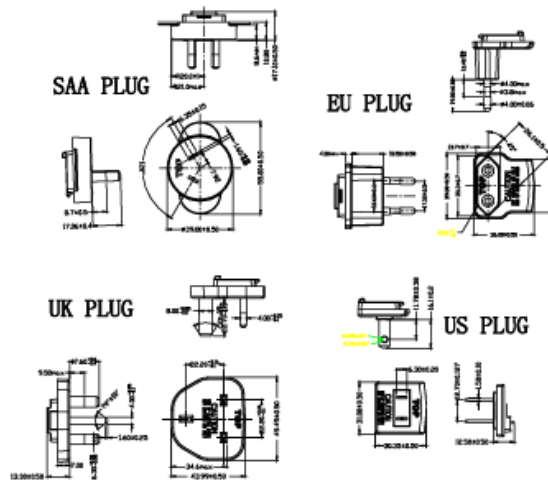
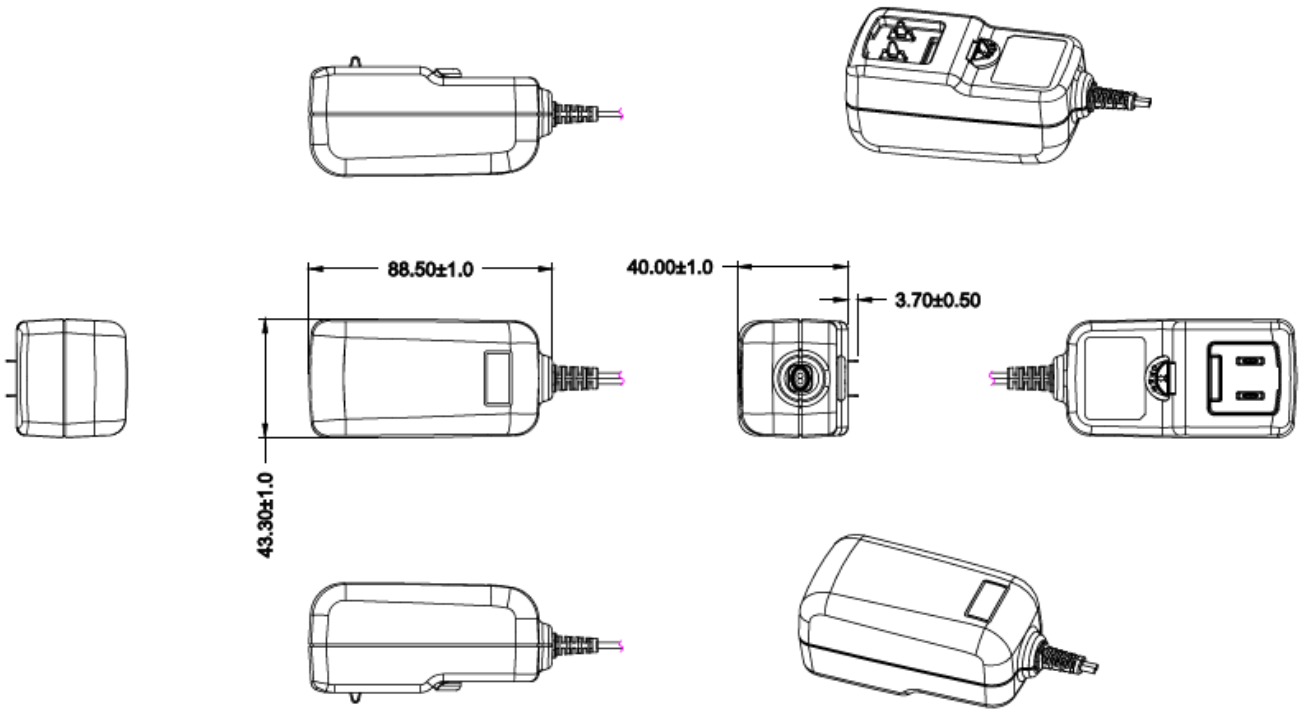
General Spec



Part Numbers	SW4047G	Leakage Current	shall not exceed mA
Output	12vdc regulated (2A max)	Input Current (RMS Max.)	max
Current Min.	0.01A	Hi-Pot Spec	3000Vac 10mA 1 min. (I.P. to O.P.)
Power (watts)	24W	No load power consumption	Max
Line Reg	+/-5% at rated load	Operating Temperature	0 to 40 degrees C
Total Output Regulation	+/-5 % at 0—100% load	Storage Temperature	-20 to 80 degrees C
Ripple & Noise (mV p-p)	300mV P-P	Operating Humidity	10% to 90%
Protections	Over Current and Short Circuit	Safety Approvals	CE, TUV, C-Tick, cUL
Case Size	88.5 x 43.3 x 40mm	EMC Standards	EN55022:2006+A1:2007 / EN6100-3-2 / EN6100-3-3
Weight (approx.)	250g with all 4 AC pins & box	Pb-free	Yes RoHS Compliant
DC Cord	1.83 Metres	MTBF	50K Hours at 25 degrees C
DC Plug	2.1 x 5.5 x 12mm +ve centre		
Rated Input Voltage	100-240Vac		
Full Input Voltage Range	90-264Vac		
Rated Frequency	50-60Hz		
Full Frequency Range	47-63Hz		
Efficiency	Level VI		

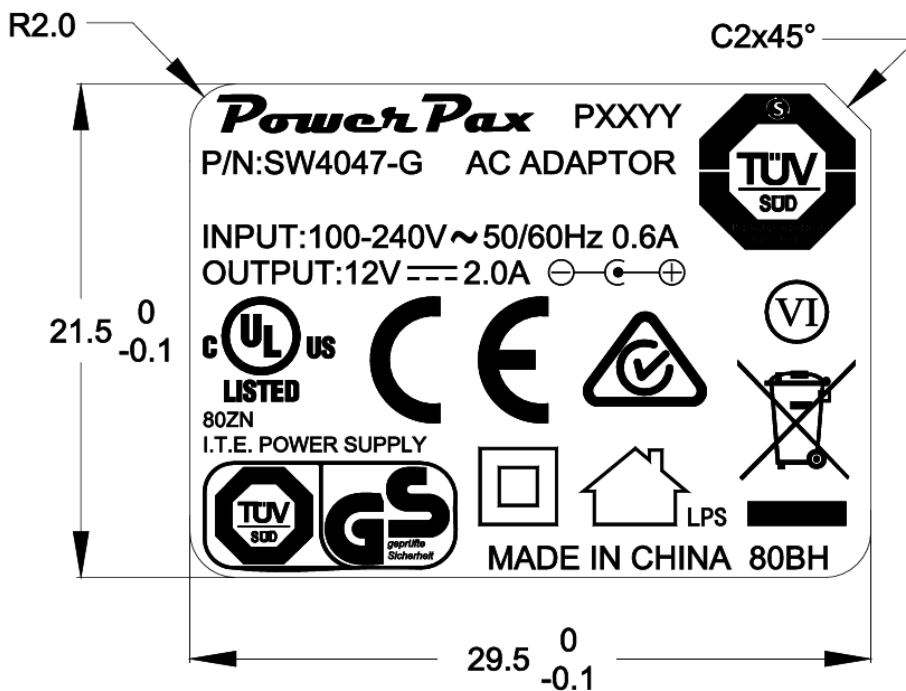
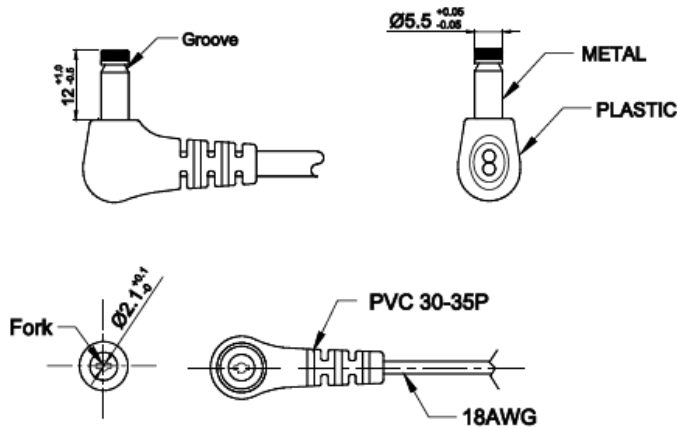
Full specification documents on each part included in this data sheet are available on request from PowerPax UK Ltd. PowerPax accepts no responsibility for typographical errors in the production of this leaflet. Product specifications are subject to change without notice

12VDC 2A International power supply



Full specification documents on each part included in this data sheet are available on request from PowerPax UK Ltd. PowerPax accepts no responsibility for typographical errors in the production of this leaflet. Product specifications are subject to change without notice

12VDC 2A International power supply



Full specification documents on each part included in this data sheet are available on request from PowerPax UK Ltd. PowerPax accepts no responsibility for typographical errors in the production of this leaflet. Product specifications are subject to change without notice