

PLEASE CHECK WWW.MOLEX.COM FOR LATEST PART INFORMATION

Part Number: **0743232031**

Status: **Active**

Overview: MicroCross™ DVI Connectors and Cable Assemblies

Description: MicroCross™ DVI Digital/Analog Single Link Component, High Volume Plug Connector Sub-assembly, Vertical, Gold (Au) Flash, 23 Circuits, Lead-Free

Documents:

[Drawing \(PDF\)](#)

[RoHS Certificate of Compliance \(PDF\)](#)

Agency Certification

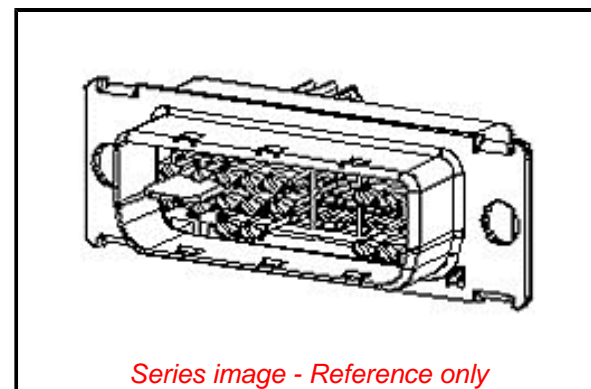
CSA LR19980
UL E29179

General

Product Family I/O Connectors
Series 74323
Application Wire-to-Board
Comments DDWG (Digital Display Working Group) Standard
Component Type I/O Plug Connector Subassembly
Electrical Model Yes
Overview MicroCross™ DVI Connectors and Cable Assemblies
Product Name MicroCross™DVI
Type N/A
UPC 800754826037

Physical

Boot Color N/A
Circuits (Loaded) 23
Circuits (maximum) 29
Circuits Detail Circuits 1-3,6-8,9-11,14-16,17-19,22-24; C1-C5 are loaded.
Color - Resin Black
Durability (mating cycles max) 100
Flammability 94V-0
Keying to Mating Part Yes
Lock to Mating Part Yes
Material - Metal Copper Alloy
Material - Plating Mating Gold
Material - Plating Termination Tin
Material - Resin High Temperature Thermoplastic
Net Weight 7.936/g
Number of Rows 3
Orientation Vertical
PCB Retention None
Packaging Type Tray
Panel Mount N/A
Pitch - Mating Interface 1.90mm, 2.54mm
Pitch - Termination Interface 1.90mm, 2.54mm
Plating min - Mating 0.254µm
Plating min - Termination 3.810µm
Polarized to Mating Part Yes
Polarized to PCB Yes
Ports 1
Temperature Range - Operating -20°C to +85°C
Termination Interface: Style Solder or Weld
Waterproof / Dustproof No
Wire Size AWG N/A



Series image - Reference only

EU ELV

Not Relevant

EU RoHS

Compliant

REACH SVHC

Not Contained Per -
ED/21/2016 (20 June
2016)

Halogen-Free

Status

Not Low-Halogen

Need more information on product environmental compliance?

Email productcompliance@molex.com
Please visit the [Contact Us](#) section for any non-product compliance questions.

China ROHS	Green Image
ELV	Not Relevant
RoHS Phthalates	Not Contained

Search Parts in this Series

74323 Series

Mates With

Other Receptacle components, 74320 DVI Receptacle, 67351 DVI Receptacle

Application Tooling | FAQ

Tooling specifications and manuals are found by selecting the products below. Crimp Height Specifications are then contained in the Application Tooling Specification document.

Global

Description	Product #
Soldering Fixture	<u>0621003700</u>

Electrical

Current - Maximum per Contact	3.0A
Grounding to Panel	Yes
Shield Type	Full Shield
Shielded	Yes
Voltage - Maximum	40V AC (RMS)

Material Info**Reference - Drawing Numbers**

Electrical Model Document	EE-74320-002
S-Parameter Model	SP-74320-002
Sales Drawing	SD-74323-003

This document was generated on 11/16/2016

PLEASE CHECK WWW.MOLEX.COM FOR LATEST PART INFORMATION