

| | | |
|-------------------------------------|-----------------------------------|---|
| Product Ident LR3 48-5/45 | Line-Reactor Datasheet |  |
|-------------------------------------|-----------------------------------|---|

Identification

| | | | |
|------------------|--------------------|-----------------|------------------------|
| Type Designation | LR3 48-5/45 | Type of reactor | 3~ Line Reactor |
| Series | LR3 | Core Rating | 1871.11 var |
| Core type | 3UI 90/51.5 | Drive HP | 30 |


Technical Data

| | | |
|------------------------|--------|------------------|
| No. of phase | | 3 |
| Circuit type | | III0 |
| Rated Voltage | [V] | 480 |
| Rated current | [A] | 45.0 |
| Rated Frequency | [Hz] | 50 - 60 |
| Impedance | [%] | 5.0 |
| Inductance L | [mH] | 0.817 |
| L tolerance | [%] | ±10% |
| Linearity | | 150% In |
| Losses (typical) | [W] | 82.17 |
| Test voltage | [kV] | 4.0 |
| Isolation System Class | | class 155 |



Operating conditions

| | | |
|----------------------|--------|----------------------|
| Ambient temperature | [°C] | -10 ... +40°C |
| Ambient temperature | [F] | 14 ... 104°F |
| Type of cooling | | AN |
| Operating conditions | | 24/7 |

Standards

| | | | |
|-------|---|-------|---|
| Type: | VDE 0570 / EN 61 558 Part 1 VDE 0570 / EN 61 558 Part 20 | Signs |  |
|-------|---|-------|---|

Approvals

| | | | |
|-----------|---|---------|------|
| UL 508 |  | E219022 | NMTR |
| UL 5085-1 |  | E103521 | XPTQ |

| | | | | |
|----------------|----------|--|-----------|--------|
| Original Date: | 15/04/20 | Observe protection clause to ISO 16016 | Index | 0 |
| Name: | Lüning | | Doc. type | |
| Date: | 15/05/06 | | | |
| Checked: | Wesner | | Pages | 1 of 2 |

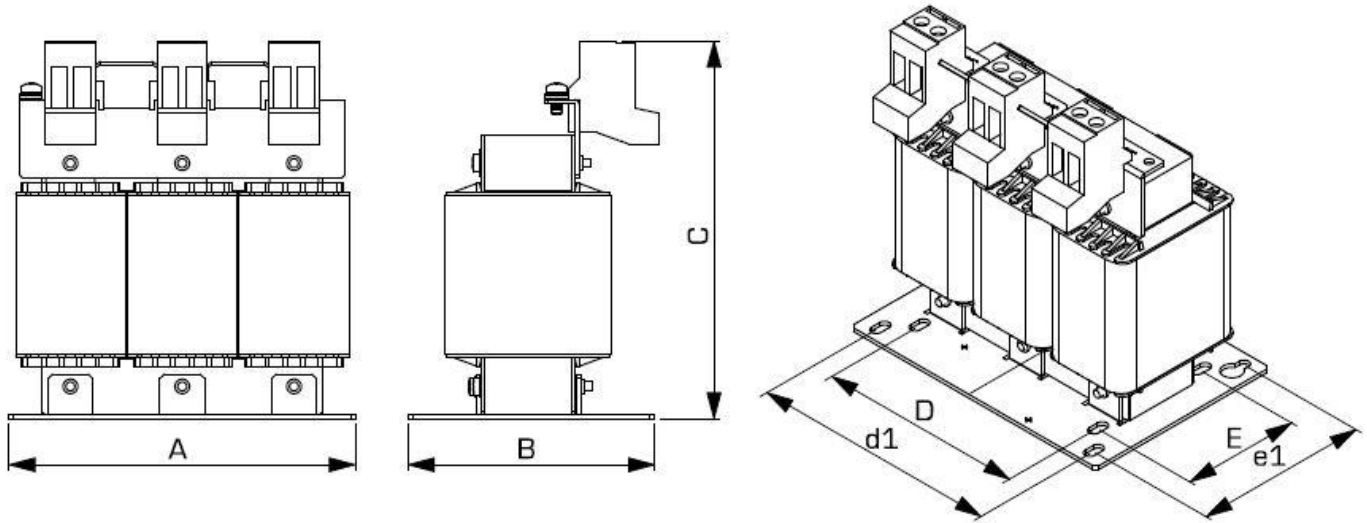
Product Ident
LR3 48-5/45

Line-Reactor Datasheet



Variations may apply due to material's and production's tolerances. Objected to modifications without notice.

Dimensions / Mounting in Inches



| A | B | C* | F | D | d1 | d2 | E | e1 | e2 | Drill |
|------|------|------|---|------|------|------|------|------|------|-------|
| 7.28 | 4.80 | 8.15 | - | 3.54 | 5.35 | 6.70 | 4.06 | 3.54 | 3.00 | 0.31 |
| | | | | | | | | | | 0.28 |
| | | | | | | | | | | 0.31 |

* = Typical variable air gab

Weight

| | | |
|--------|---------|--------------|
| Weight | [kg] | 10.71 |
| | [lbs] | 23.61 |

Notes

Technical specifications in the drawing are not binding. General tolerance to DIN 7168-m. Subject to change.
Mounting plates also available in stainless steel as OEM application. Ask for details.

| | | | | |
|----------------|----------|--|-----------|--------|
| Original Date: | 15/04/20 | Observe protection clause to ISO 16016 | Index | 0 |
| Name: | Lüning | | Doc. type | |
| Date: | 15/05/06 | | | |
| Checked: | Wesner | | Pages | 2 of 2 |