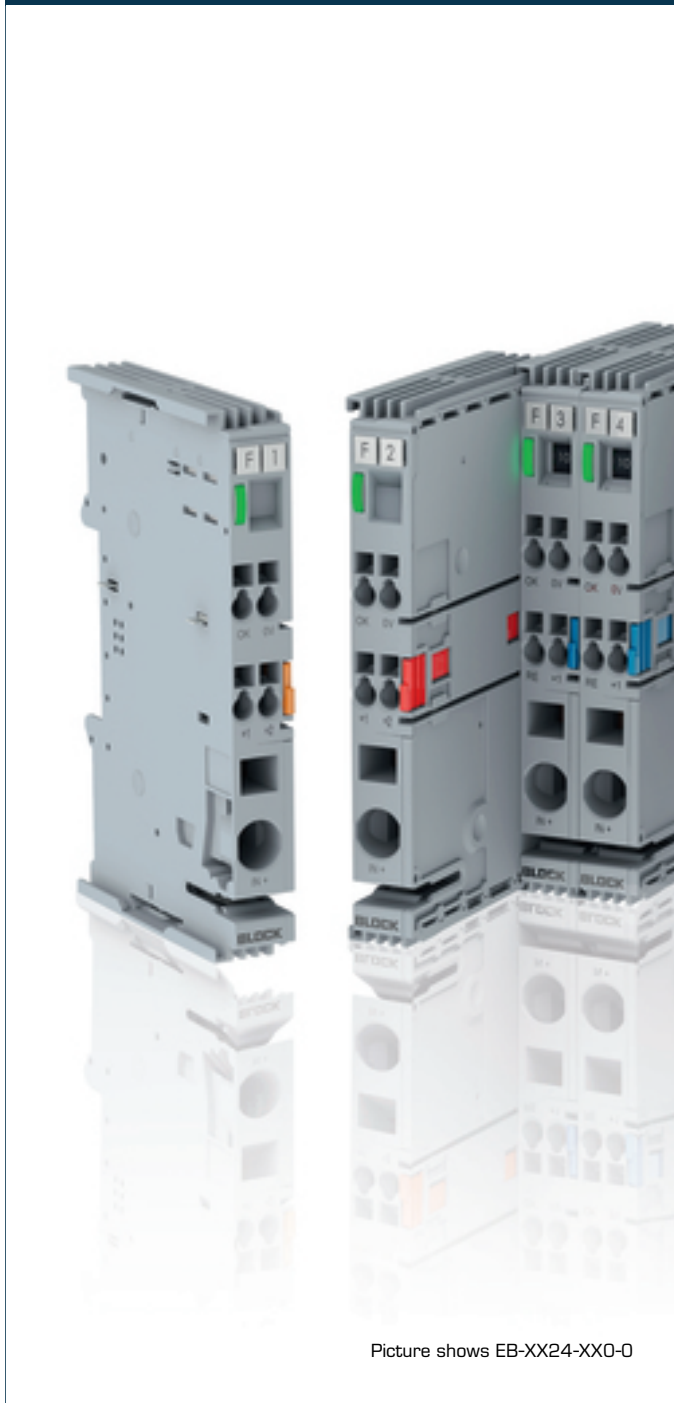


1-Channel circuit breaker EB-2724-010-0



Picture shows EB-XX24-XX0-0

Advantages

Automatic feedthrough of all signal levels
Optional communication via communication module
Optional undervoltage shutdown in combined network
Optional settings for tripping current
Additional load outputs through output distribution modules mountable side by side
Selective load-dependent activation
Versions with collective reset input

Applications

EB-27 Electronic circuit breaker with thermomagnetic characteristic with alarm signal forwarded for tripped and switched off channels to the connected channels. Starter version with fuse for 24 V loads.

EB-28 Electronic circuit breaker with current-limiting characteristic with alarm signal forwarded for tripped and switched off channels to the connected channels. Starter version with fuse for 24 V loads if active current limitation is required.

EB-08, EB-18, EB-38 Electronic circuit breaker with current-limiting characteristic and comprehensive communication with the connected modules. Suitable as advanced fuse for 24 V loads with option of reading more detailed current supply parameters and actively controlling the channels.

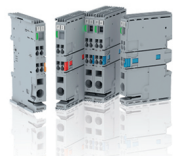
Standards

Safety:
EN 60950-1, EN 50178, EN/IEC 60204-1
EMC:
EN 61000-6-2 (interference immunity), EN 61000-6-3 (emitted interference)
CE:
Acc. to 2014/30/EU

Approvals



UL 508 (prepared), UL 2367 (prepared), GL (prepared),
VW eCl@ss No.27-37-18-02 (prepared)

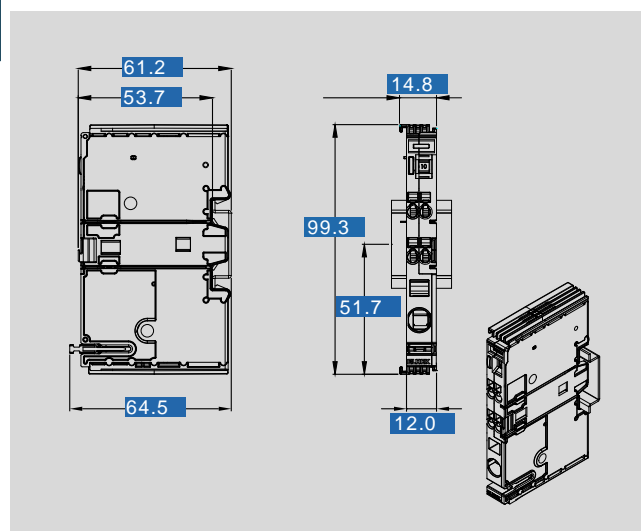


1-Channel circuit breaker

EB-2724-010-0

Type		EB-2724-010-0
Electrical data	Special features	
	Characteristics	-
	Input	
	Input rated voltage	24 Vdc
	Input voltage range	18 - 30 Vdc
	Maximal residual ripple of supplied input voltage	3 %
	Max. total input current	1 A
	Max. input current for each pole of terminal	10 A (-), 40 A (+)
	Required input voltage for turning-on of outputs	17.5 V (Turn-off Threshold 16.7 V), ± 0.7 V
	Max. power losses	0,4 W
	Over voltage protection	Suppressor diode 33 V
	Stand-by current	12 mA @ 24 V
	Power losses in stand-by mode	0,3 W @ 24 V
	Turn on capacity	70 mF @ 24 Vdc / 2,5 mm ² / 2,5 m
	Output	
	Output rated voltage	24 Vdc
	Maximum voltage drop between input and output	24 mV
	Initialization time of module	27 ms
	Turn-on delay of outputs	0 ms
	Waiting periode after switch-off of an output	500 ms (Short circuit) .. 5 s (Overload)
	Parallel use of outputs	Not allowed
	Serial use of outputs	not allowed
	Resistance to reverse feed max.	35 Vdc
	Output rated current	1 A
	Efficiency	99.0 %
	Output limited current	-
	Signaling	
	Bus communication	Collective notification signal bypassed
	Status indicator	LED (red, green, orange)
	Signal output	Output status, short circuit proof high = Channel on, low = Channel off, fault
Signal output (ON/OFF/Reset)	-	
Environment		
Type of cooling	Natural convection	
Ambient temperature	-25 °C .. +70 °C	
Storage temperature	-25 °C ... +85 °C	
Derating	-	
Relative humidity	5 .. 96 %, without condensation	
Required minimum spacing (left/right)	0 mm	
Required minimum spacing (over/under)	30 mm	
Safety and protection		
Protection index	IP 20	
Safety class	III, without PE connection	
Degree of pollution	2	
Order numbers		
Order Number	EB-2724-010-0	

Type		EB-2724-010-0
Mechanical data	Terminal and mounting	
	Terminals input, (spring clamp terminal)	max. 16 mm ²
	Terminals output, (spring clamp terminal)	max 2,5 mm ² (2 x "+"')
	Terminals signalling, (spring clamp terminal)	max. 2,5 mm ²
	Mounting position	
	Measures and weights	
Weight	0,039 kg	



Subject to change.