

Identification

Type Designation	LR3 60-3/45	Type of reactor	3~ Line Reactor
Series	LR3	Core Rating	1488.64 var
Core type	3UI 90/41.5	Drive HP	40

Technical Data

No. of phase		3
Circuit type		III0
Rated Voltage	[V]	600
Rated current	[A]	45.0
Rated Frequency	[Hz]	50 - 60
Impedance	[%]	3.2
Inductance L	[mH]	0.650
L tolerance	[%]	±10%
Linearity		150% In
Test voltage	[kV]	4.0
Isolation System Class		Class 155

Operating conditions

Ambient temperature	[°C]	-10 ... +40°C
Ambient temperature	[F]	14 ... 104°F
Type of cooling		AN
Operating conditions		24/7

Standards

Type: VDE 0570 / EN 61 558 Part 1 VDE 0570 / EN 61 558 Part 20	Signs	
--	-------	--

Approvals

UL 508		E219022 NMTR
UL 5085-1		E103521 XPTQ

Variations may apply due to material's and production's tolerances. Objected to modifications without notice.

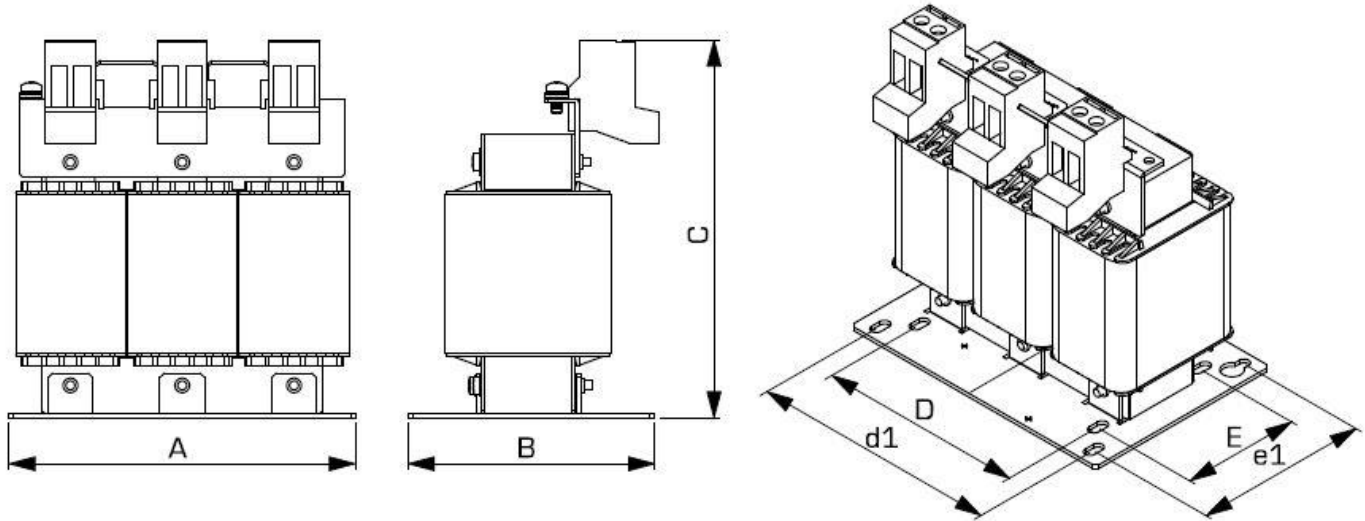
Original Date:	15/04/17	Observe protection clause to ISO 16016	Index	0
Name:	Lüning		Doc. type	
Date:	15/05/06			
Checked:	Wesner		Pages	1 of 2

Product Ident
LR3 60-3/45

Line-Reactor Datasheet



Dimensions / Mounting in Inches



A	B	C*	F	D	d1	d2	E	e1	e2	Drill
7.28	4.41	7.72	-	3.54	5.35	6.70	3.66	3.15	2.60	0.31
										0.28
										0.31

* = Typical variable air gab

Weight

Weight	[kg]	8.25
	[lbs]	18.19

Notes

Technical specifications in the drawing are not binding. General tolerance to DIN 7168-m. Subject to change.
Mounting plates also available in stainless steel as OEM application. Ask for details.

Original Date:	15/04/17	Observe protection clause to ISO 16016	Index	0
Name:	Lüning		Doc. type	
Date:	15/05/06			
Checked:	Wesner		Pages	2 of 2