

## Identification

Type Designation	<b>LR3 48-5/8</b>	Type of reactor	<b>3~ Line Reactor</b>
Series	<b>LR3</b>	Core Rating	<b>332.96 var</b>
Core type	<b>3UI 60/21</b>	Drive HP	<b>5</b>

## Technical Data

No. of phase		<b>3</b>
Circuit type		<b>IIIO</b>
Rated Voltage	[ V ]	<b>480</b>
Rated current	[ A ]	<b>8.0</b>
Rated Frequency	[ Hz ]	<b>50 - 60</b>
Impedance	[ % ]	<b>5.0</b>
Inductance L	[ mH ]	<b>4.600</b>
L tolerance	[ % ]	<b>±10%</b>
Linearity		<b>150% In</b>
Losses (typical)	[ W ]	<b>27.72</b>
Test voltage	[ kV ]	<b>4.0</b>
Isolation System Class		<b>class 155</b>

## Operating conditions

Ambient temperature	[ °C ]	<b>-10 ... +40°C</b>
Ambient temperature	[ F ]	<b>14 ... 104°F</b>
Type of cooling		<b>AN</b>
Operating conditions		<b>24/7</b>

## Standards

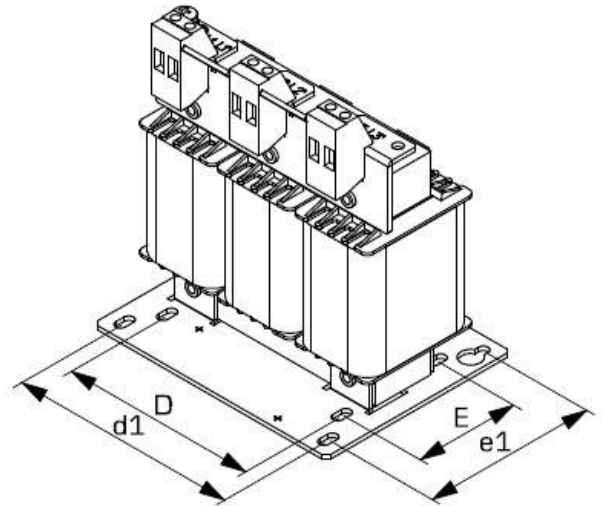
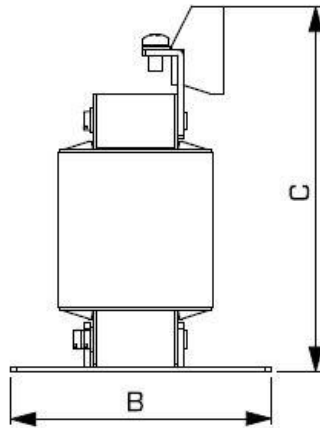
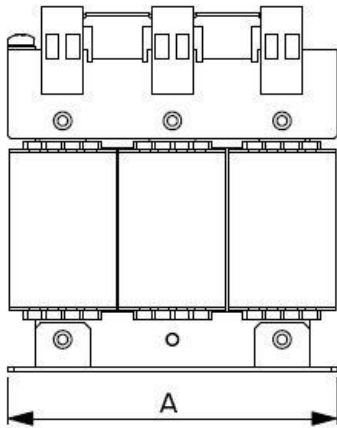
Type:	Signs
VDE 0570 / EN 61 558 Part 1 VDE 0570 / EN 61 558 Part 20	

## Approvals

UL 508		E219022	NMTR
UL 5085-1		E103521	XPTQ

Variations may apply due to material's and production's tolerances. Objected to modifications without notice.

**Dimensions / Mounting in Inches**



A	B	C*	F	D	d1	d2	E	e1	e2	Drill
4.72	3.35	5.35	-	3.54	4.13	-	1.54	2.76	-	0.19
										0.19
										-

\* = Typical variable air gab

**Weight**

Weight	[ kg ]	2.07
	[ lbs ]	4.56

**Notes**

Technical specifications in the drawing are not binding. General tolerance to DIN 7168-m. Subject to change.  
Mounting plates also available in stainless steel as OEM application. Ask for details.

Original Date:	15/04/20	Observe protection clause to ISO 16016	Index	0
Name:	Lüning		Doc. type	
Date:	15/05/06			
Checked:	Wesner		Pages	2 of 2