

**PLEASE CHECK WWW.MOLEX.COM FOR LATEST PART INFORMATION**

**Part Number:** **0900590009**  
**Status:** **Active**  
**Overview:** C-Grid III™  
**Description:** 2.54mm Pitch C-Grid® Micro Shunt, Low Profile, 0.381µm Select Gold (Au) with Gold (Au) Flash Plating

**Documents:**

[3D Model](#) [Product Specification PS-90059-001 \(PDF\)](#)  
[Drawing \(PDF\)](#) [RoHS Certificate of Compliance \(PDF\)](#)

**Agency Certification**

CSA LR19980  
 UL E29179

**General**

Product Family Accessories  
 Series 90059  
 Component Type Shunt  
 Overview C-Grid III™  
 Product Name C-Grid®, C-Grid III™, SL™  
 UPC 800753539143

**Physical**

Circuits (Loaded) 2  
 Color - Resin Natural  
 Flammability 94V-0  
 Gender Female  
 Lock to Mating Part None  
 Material - Metal Phosphor Bronze  
 Material - Plating Mating Gold  
 Material - Plating Termination Nickel  
 Material - Resin Polyester  
 Net Weight 72.025/mg  
 Number of Rows 1  
 Packaging Type Bag  
 Plating min - Mating 0.381µm  
 Plating min - Termination 0.203µm  
 Temperature Range - Operating -55°C to +125°C  
 Termination Interface: Style Surface Mount

**Electrical**

Current - Maximum per Contact 3.0A

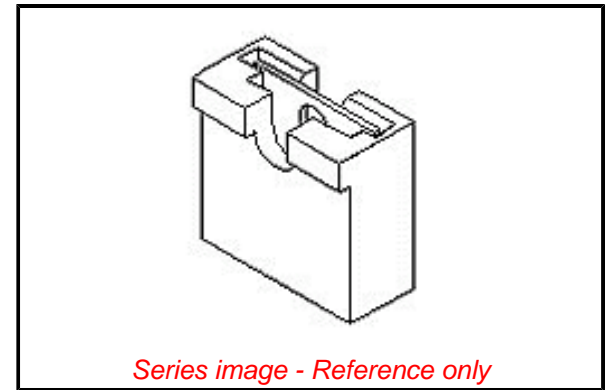
**Solder Process Data**

Lead-free Process Capability N/A

**Material Info**

**Reference - Drawing Numbers**

Product Specification PS-90059-001  
 Sales Drawing SDA-90059



**EU ELV**

**Not Relevant**

**EU RoHS**

**Compliant**

**REACH SVHC**

Not Contained Per -  
 ED/21/2016 (20 June  
 2016)

**Halogen-Free**

**Status**

**Not Low-Halogen**

**Need more information on product environmental compliance?**

Email [productcompliance@molex.com](mailto:productcompliance@molex.com)  
 Please visit the [Contact Us](#) section for any non-product compliance questions.

China ROHS

ELV

RoHS Phthalates

Green Image

Not Relevant

Not Contained

**Search Parts in this Series**

90059 Series

**Use With**

(0.64)/.025 square and round pins