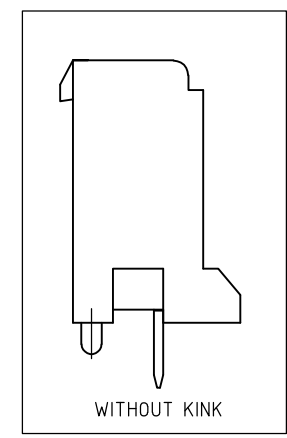
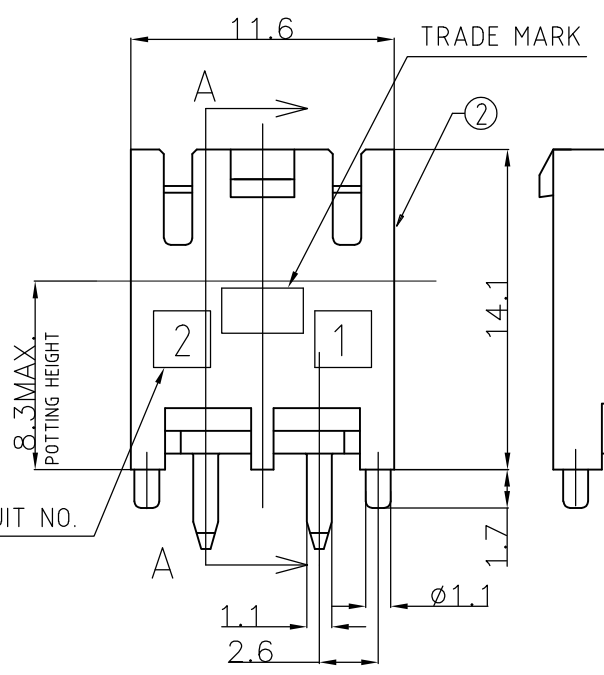
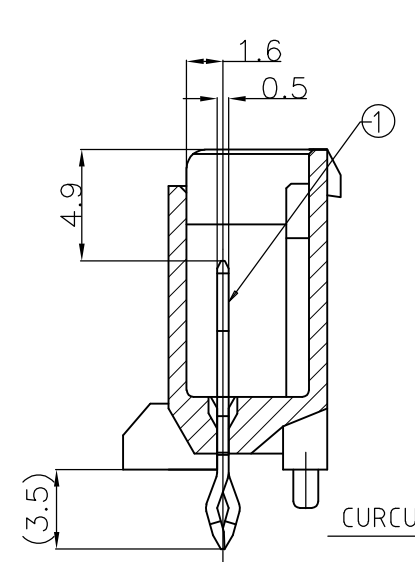
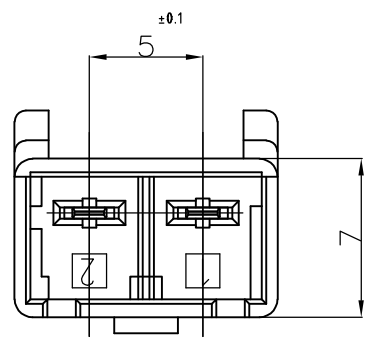


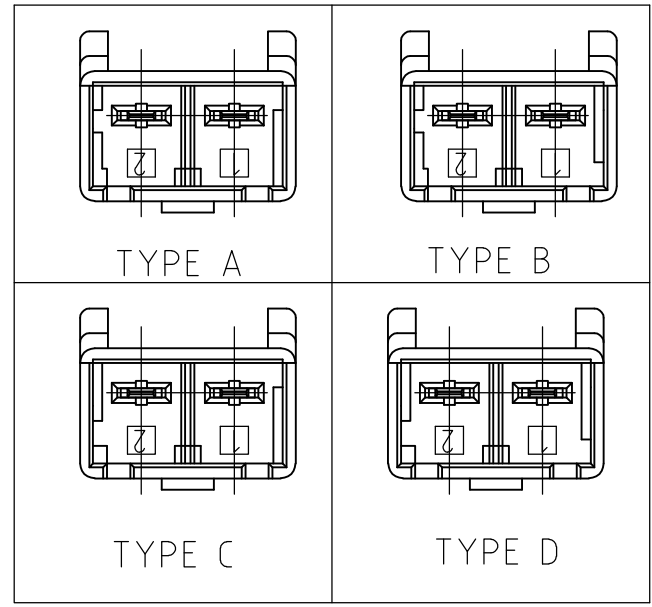
THIS DRAWING IS UNPUBLISHED. RELEASED FOR PUBLICATION
 © COPYRIGHT - By - ALL RIGHTS RESERVED.

REVISIONS				
P	LTR	DESCRIPTION	DATE	DWN APVD
	C2	REVISED PER ECR-16-007444	31MAY2016	NK SC

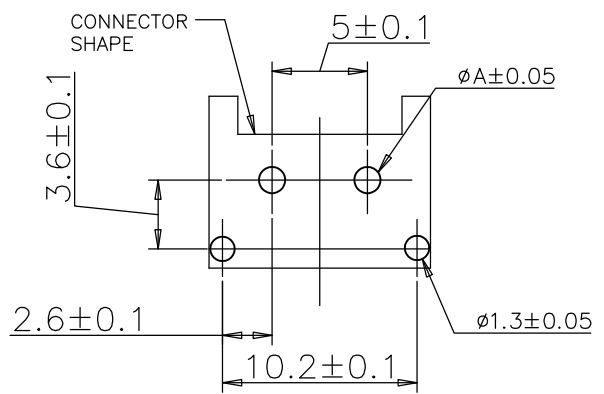
②	HEADER HOUSING	6/6 NYLON GRASS FILLED/ NYLON 6
①	TAB	COPPER ALLOY TIN PLATED
NO.	NAME	MATERIAL



THE TYPE OF KEYING



△	P/N	KINK EXISTENCE	TYPE OF KEYING	COLOR	POS	PART NO.
△5	1376388-5	WITH KINK	TYPE A	NATURAL	2POS	1376382-5
△6	3-1376388-4	WITHOUT KINK	TYPE D	YELLOW	2POS	8-1376382-4
△6	2-1376388-3	WITHOUT KINK	TYPE C	BLUE	2POS	7-1376382-3
△6	1-1376388-2	WITHOUT KINK	TYPE B	RED	2POS	6-1376382-2
△6	1376388-1	WITHOUT KINK	TYPE A	NATURAL	2POS	5-1376382-1
△6	3-1376388-4	WITH KINK	TYPE D	YELLOW	2POS	3-1376382-4
△6	2-1376388-3	WITH KINK	TYPE C	BLUE	2POS	2-1376382-3
△6	1-1376388-2	WITH KINK	TYPE B	RED	2POS	1-1376382-2
△6	1376388-1	WITH KINK	TYPE A	NATURAL	2POS	1376382-1
△3	MATING CONN. P/N	KINK EXISTENCE WITH/WITHOUT KINK	TYPE OF KEYING	COLOR	POS	PART NO.



PUNCHING	1.25
DRILLING	1.4
	DIM A

- ① RECOMMENDED P.C.B LAY OUT.
- ② APPLICABLE P.C.B. THICKNESS:1.6.
- ③ MATING CONN. P/N PLUG HOUSING :SEE TABLE.
- ④ PARTS COMPLY WITH GLOW WIRE REQUIREMENT FOR PARTS OF NON-METALLIC MATERIAL SUPPORTING A CURRENT-CARRYING CONNECTION DETAILED IN IEC 60335-1, SECTION 30(GWT).
- △5 NYLON 6, GWT, V-2.
- △6 NYLON 66, GWT, V-0.

THIS DRAWING IS A CONTROLLED DOCUMENT.

DIMENSIONS: MM	TOLERANCES UNLESS OTHERWISE SPECIFIED:
	0 PLO ± 0.2
	1 P/C ±
	2 P/C ±
	3 P/C ±
	4 PLO ANGLES ± 1'
MATERIAL SEE TABLE	FINISH SEE TABLE

DWN	A.OISHI	28AUG'00
CHK	Y.KASHIWA	28AUG'00
APVD	Y.KASHIWA	28AUG'00
PRODUCT SPEC	108-5699	
APPLICATION SPEC	114-5292	
WEIGHT		

WIRE RANGE: - INSULATION DIA: -

STE TE Connectivity

5.0 POWER KEY CONNECTOR
2P HEADER ASSEMBLY

NAME: -

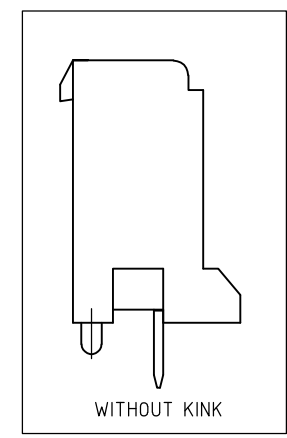
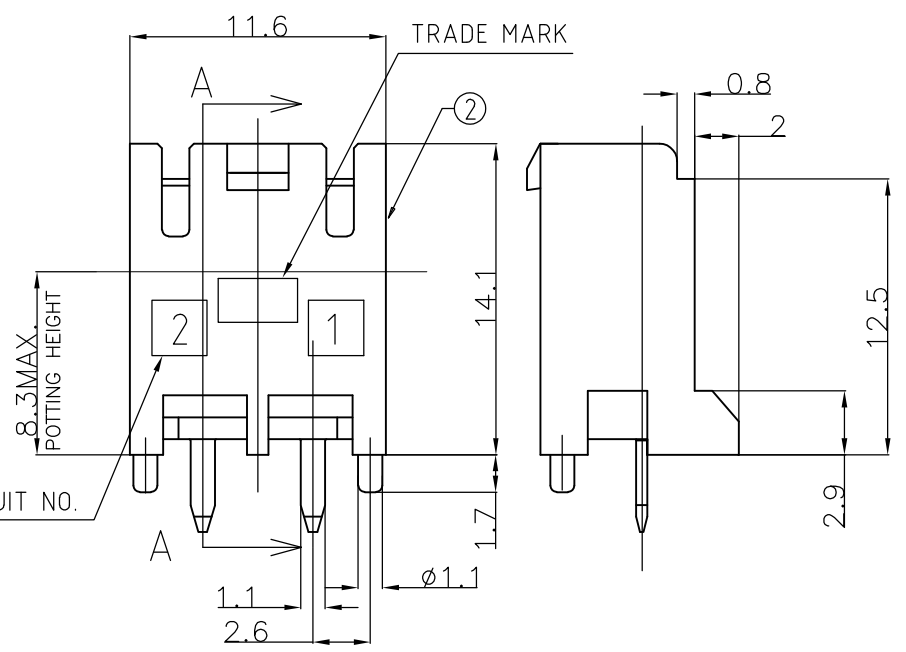
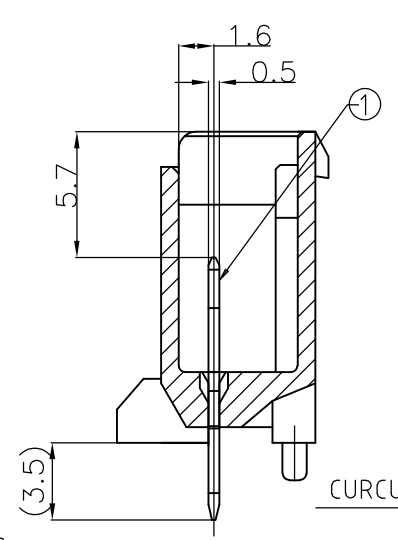
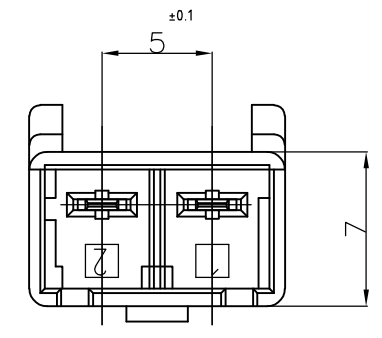
SIZE: A3 CAGE CODE: 00779 DRAWING NO: C-1376382 RESTRICTED TO: -

CUSTOMER DRAWING SCALE: 3:1 SHEET: 1 OF 2 REV: C2

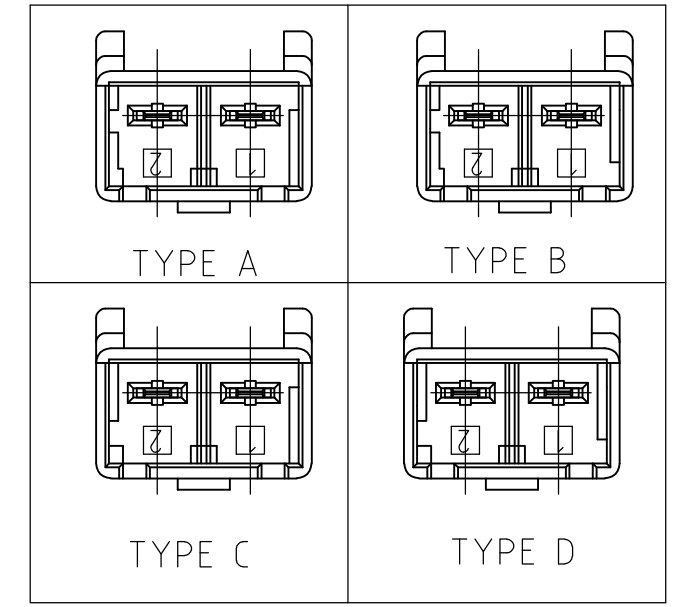
THIS DRAWING IS UNPUBLISHED. RELEASED FOR PUBLICATION
 © COPYRIGHT - By - ALL RIGHTS RESERVED.

REVISIONS					
P	LTR	DESCRIPTION	DATE	DWN	APVD
-	-	SEE SHEET 1	-	-	-

②	HEADER HOUSING	6/6 NYLON
①	TAB	COPPER ALLOY TIN PLATED
NO.	NAME	MATERIAL

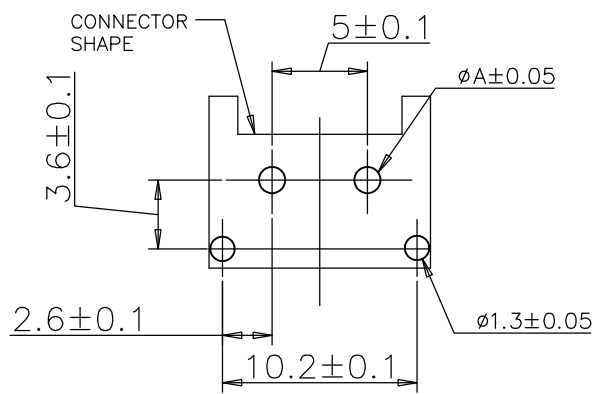
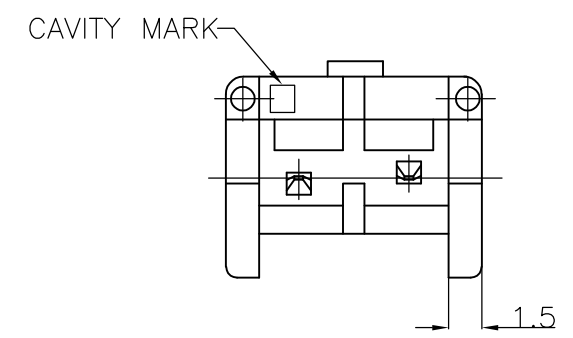


THE TYPE OF KEYING



- ① RECOMMENDED P.C.B LAY OUT
- ② APPLICABLE P.C.B. THICKNESS:1.6
- ③ MATING CONN. P/N PLUG HOUSING :SEE TABLE

SECT A-A



PUNCHING	1.25
DRILLING	1.4
	DIM A

3-1376388-5	WITHOUT KINK	TYPE D	YELLOW	2POS	3-1376382-5
2-1376388-4	WITHOUT KINK	TYPE C	BLUE	2POS	2-1376382-4
1-1376388-3	WITHOUT KINK	TYPE B	RED	2POS	1-1376382-3
1376388-2	WITHOUT KINK	TYPE A	NATURAL	2POS	1376382-2
MATING CONN. P/N	WITH/WITHOUT KINK	TYPE OF KEYING	COLOR	POS	PART NO.

THIS DRAWING IS A CONTROLLED DOCUMENT.		DWN	A.OISHI	28AUG'00	TE Connectivity 5.0 POWER KEY CONNECTOR 2P HEADER ASSEMBLY				
DIMENSIONS: MM		CHK	Y.KASHIWA	28AUG'00					
TOLERANCES UNLESS OTHERWISE SPECIFIED:		APVD	Y.KASHIWA	28AUG'00					
0 PLC ± 0.2 1 PLC ± 2 PLC ± 3 PLC ± 4 PLC ± ANGLES ± 1°		PRODUCT SPEC	108-78863						
MATERIAL SEE TABLE		FINISH	SEE TABLE		APPLICATION SPEC	114-5292			
		WIRE RANGE		INSULATION DIA		SIZE	CAGE CODE	DRAWING NO	RESTRICTED TO
						A3	00779	C-1376382	
		CUSTOMER DRAWING		SCALE	3:1	SHEET	2 OF 2	REV	C2