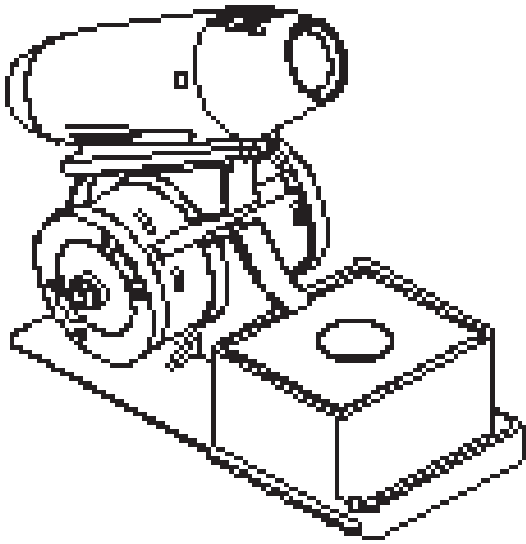


IP329



Contents

IP329 IDLE-REST Soldering Tool Base with the PD528 pod