

### Capacitor fitting and operating instructions

**Product:** PFCC-1

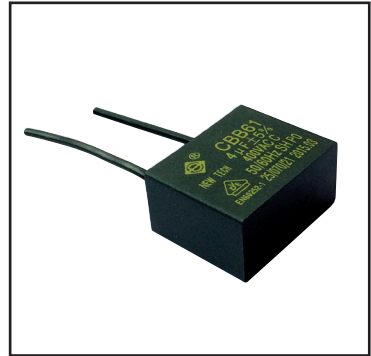
**Suitable for all load types at 240V a.c.**

The Elkay capacitor is a 4uf 400V a.c. lighting capacitor that is designed to assist with the switching of the Elkay range of electronic timers when using low wattage lightning. For example: 2D Fittings, Energy saving bulbs LED's or any low power consuming load.

The capacitor can also be used on contactors to assist in switching of loads above 16A when using the Elkay range of electronic timers.

The lighting capacitor should be fitted at the first light, or point of the load, from the switch. The capacitor should be fitted at the Switch Live and Neutral.

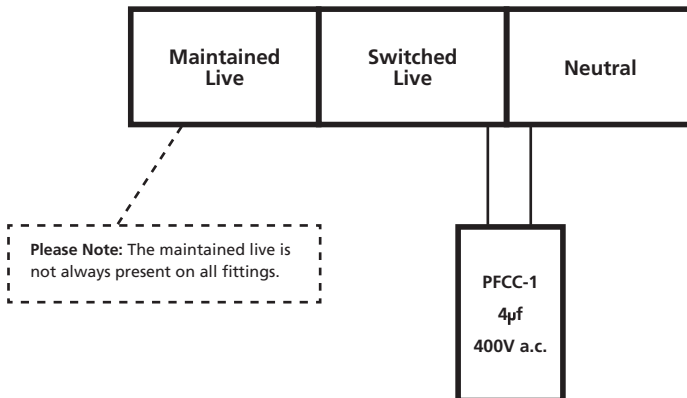
There is no polarity on this product.



NOTE: 400V a.c. capacitors are suitable for all a.c. voltages below 400V.

### diagram 1

Wiring diagram for capacitor into circuit.



#### IMPORTANT NOTICE

All wiring should be carried out by a competent person or a qualified electrician and should be fitted to IEE 17th Edition Wiring regulations BS7671:2008.

#### TECHNICAL HELPLINE

For further help, or information on this and the other products in the Elkay range visit [www.elkay.co.uk](http://www.elkay.co.uk) or call 01675 468222.

#### WEBSITE

For further wiring diagrams and more information on our products please visit our website on [www.elkay.co.uk](http://www.elkay.co.uk)