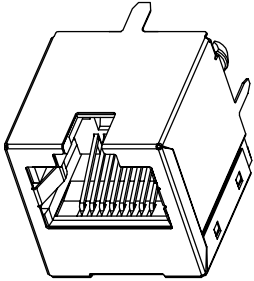


RJ45 Receptacle Vertical Type With Filter



Electrical Characteristics:

Test Temperature: (25°C ±5°C)
 Insulation Resistance : 500MΩ Min.
 Contact Resistance : 30mΩ Max.

Transmitter Filter & Receiver Filter

Type : Balance Low Pass 100Ω Impedance
 Insertion Loss
 1dB Max. at 1MHz to 100MHz

Return Loss

18dB Min. at 1MHz to 30MHz load 100Ω
 16dB Min. at 30MHz to 60MHz load 100Ω
 12dB Min. at 60MHz to 80MHz load 100Ω

Common Mode Rejection

30dB Min at 1MHz to 100MHz

Cross Talk

30dB Min at 1MHz to 100MHz

Inductance

: 100kHz, 100mV, 8mA, DC BIAS Input : (R2-R3); (R4-R5) 350μH Min.

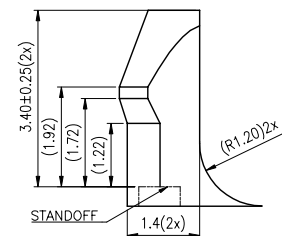
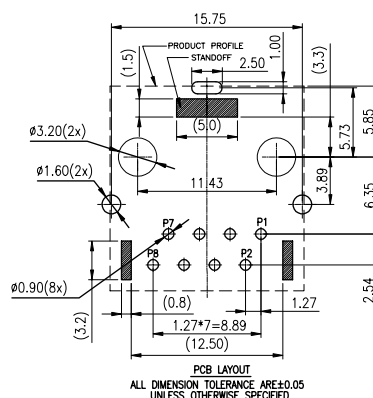
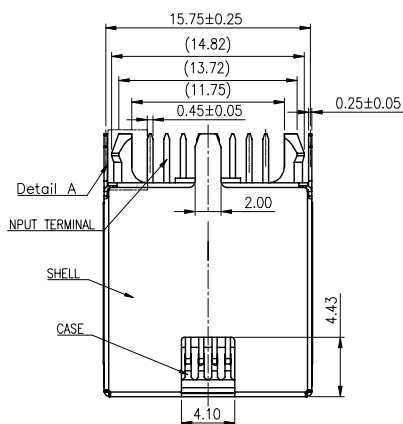
Hipot

Input to Output : 1,500V AC for 60 Seconds 1mA or 2,250V DC for 60 Seconds 1mA

Material and Finish

Housing : LCP, UL94V-0, Black
 Case : LCP, UL94V-0, Black
 Cover : Nylon, UL94V-0, Black
 Shell : C2680, T=0.25mm, Plated Nickel Overall
 RJ45 Output Terminal : C5191, T=0.3mm, 5μ" Gold Plated in Contact Area
 RJ45 Input Terminal : C2680, T=0.35mm, Plated Tin Overall
 Module Terminal : Phosphor Bronze C5100, OD=0.4mm, Plated Tin Overall

Diagram



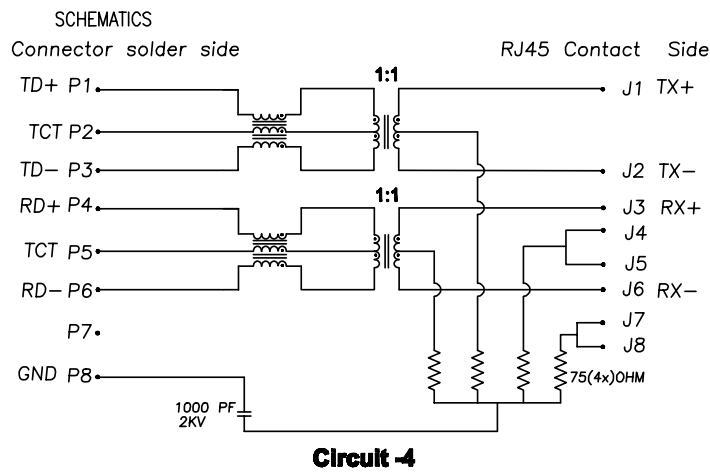
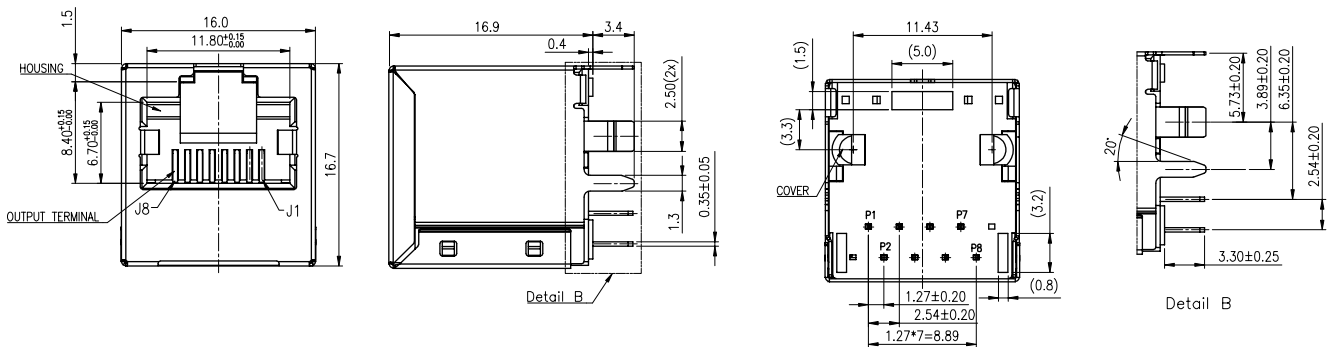
Detail A
SCALE 4:1

Dimensions : Millimetres

www.element14.com
 www.farnell.com
 www.newark.com



RJ45 Receptacle Vertical Type With Filter



Dimensions : Millimetres

Part Number Table

Description	Part Number
RJ45 Receptacle Vertical DIP Type W/Shell 8P8C Filter 10/100M Without LED Connector, Contact G/F	MC001514

Important Notice : This data sheet and its contents (the "Information") belong to the members of the Premier Farnell group of companies (the "Group") or are licensed to it. No licence is granted for the use of it other than for information purposes in connection with the products to which it relates. No licence of any intellectual property rights is granted. The Information is subject to change without notice and replaces all data sheets previously supplied. The Information supplied is believed to be accurate but the Group assumes no responsibility for its accuracy or completeness, any error in or omission from it or for any use made of it. Users of this data sheet should check for themselves the Information and the suitability of the products for their purpose and not make any assumptions based on information included or omitted. Liability for loss or damage resulting from any reliance on the Information or use of it (including liability resulting from negligence or where the Group was aware of the possibility of such loss or damage arising) is excluded. This will not operate to limit or restrict the Group's liability for death or personal injury resulting from its negligence. Multicomp is the registered trademark of the Group. © Premier Farnell Limited 2016.

www.element14.com
www.farnell.com
www.newark.com

