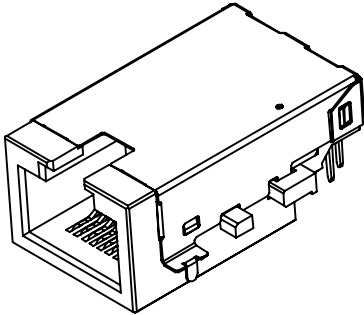


RJ45 Receptacle R/A Type Without LED Connector



Electrical Characteristics:

Test Temperature: (25°C ±5°C)

Insulation Resistance : 500MΩ Min.

Contact Resistance : 30mΩ Max.

Transmitter Filter & Receiver Filter

Type : Balance Low Pass 100Ω Impedance

Insertion Loss

1dB Max. at 1MHz to 100MHz

Return Loss

18dB Min. at 1MHz to 30MHz load 100Ω

16dB Min. at 30MHz to 60MHz load 100Ω

12dB Min. at 60MHz to 80MHz load 100Ω

Common Mode Rejection

30dB Min at 1MHz to 100MHz

Cross Talk

30dB Min at 1MHz to 100MHz

Inductance : 100kHz, 100mV, 8mA, DC BIAS Input : (R2-R3); (R4-R5) 350μH Min.

Hipot

Input to Output : 1,500V AC for 60 Seconds 1mA or 2,250V DC for 60 Seconds 1mA

DCR : DC0.6V

Input (R2-R1), (R1-R3) : 0.3 to 0.75Ω

Input (R4-R6), (R6-R5) : 0.3 to 0.75Ω

Output (C1-C2), (C3-C6) : 0.3 to 0.8Ω

Output (C1-C3), (C3-C4) : 140 to 160Ω

Output (C4-C7), (C7-C1) : 140 to 160Ω

Operating Voltage and Current

Rated Current : 1.5A Max.

Rated Voltage : 150V Max.

Transformer Current : 300mA Max.

Material and Finish

Housing : LCP, UL94V-0, Black

Case : LCP, UL94V-0, Black

Shell : Stainless, T=0.2mm, Plated Nickel Overall

RJ45 Output Terminal : C5191, T=0.3mm, Gold Flash Plated in Contact Area

RJ45 Input Terminal : C2680, T=0.35mm, Plated Tin Overall

Link Terminal

C2680 T=0.3mm, Plated Tin Overall

CP Terminal

Phosphor Bronze, OD=0.4mm, Plated Tin Overall

www.element14.com

www.farnell.com

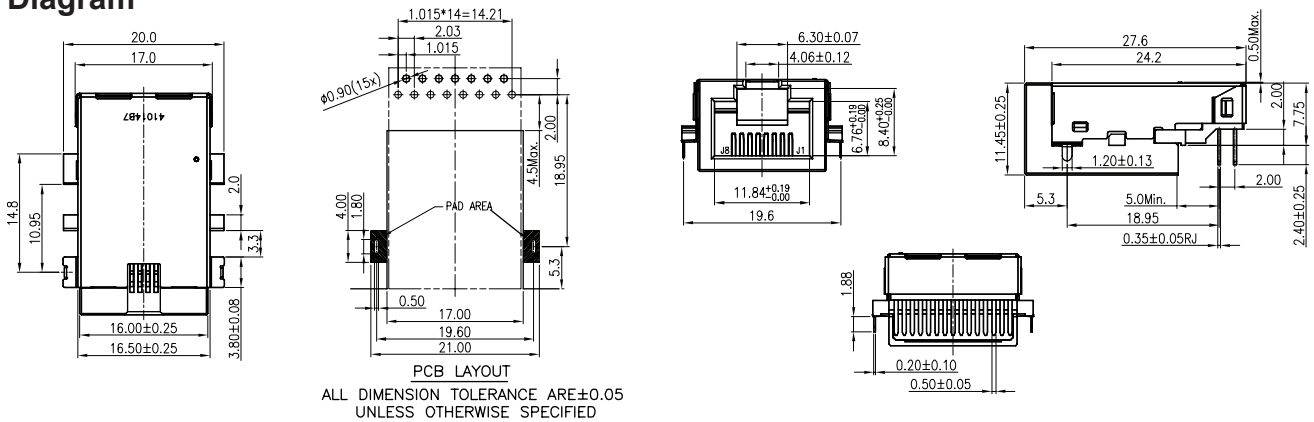
www.newark.com



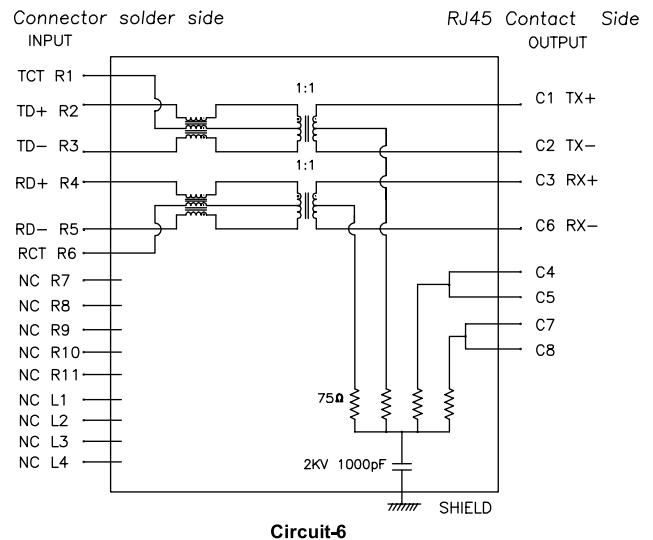
RJ45 Receptacle R/A Type Without LED Connector



Diagram



SCHEMATICS



Dimensions : Millimetres

Part Number Table

Description	Part Number
RJ45 Receptacle R/A Type Without LED Connector, Contact G/F	MC001517

Important Notice : This data sheet and its contents (the "Information") belong to the members of the Premier Farnell group of companies (the "Group") or are licensed to it. No licence is granted for the use of it other than for information purposes in connection with the products to which it relates. No licence of any intellectual property rights is granted. The Information is subject to change without notice and replaces all data sheets previously supplied. The Information supplied is believed to be accurate but the Group assumes no responsibility for its accuracy or completeness, any error in or omission from it or for any use made of it. Users of this data sheet should check for themselves the Information and the suitability of the products for their purpose and not make any assumptions based on information included or omitted. Liability for loss or damage resulting from any reliance on the Information or use of it (including liability resulting from negligence or where the Group was aware of the possibility of such loss or damage arising) is excluded. This will not operate to limit or restrict the Group's liability for death or personal injury resulting from its negligence. Multicomp is the registered trademark of the Group. © Premier Farnell Limited 2016.

www.element14.com
www.farnell.com
www.newark.com

