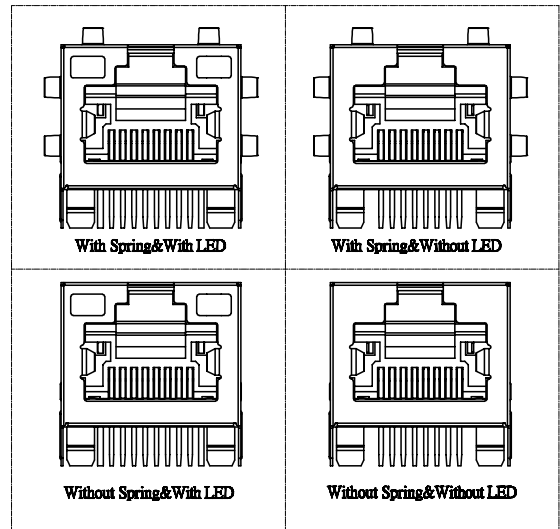
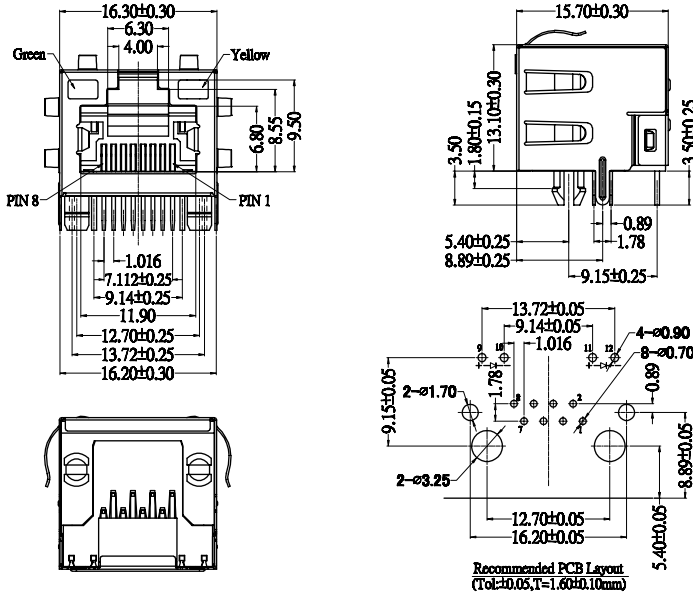


RJ45 Receptacle 8P8C Tabup R/A DIP Type



RoHS
Compliant



Dimensions : Millimetres

Electrical

Current Rating	: 1.5A Min.
Voltage Rating	: 120V AC Min. (rms)
Withstanding Voltage	: 1,000V AC for 1 Minute
Insulation Resistance	: 500MΩ Min.
Contact Resistance	: 40mΩ Max.

Mechanical

Durability	: 750 Mating Cycles
------------	---------------------

Environmental

Operating Temperature	: -40°C to +85°C
Temperature Resistant	: 260°C ±5°C, 5~10 Seconds
LED failings	
Forward DC Current	: 2mA
Forward Voltage	: 1.8 Volts typical
Reverse Voltage	: 5 Volts Min.

No.	Part Name	Material	Finish	Qty.
1	Housing	High Thermal Plastic	Black, UL94V-0	1
2	Cover	High Thermal Plastic	Black, UL94V-0	1
3	Shell	Copper Alloy	Nickel Plated Overall	1
4	Contact	Copper Alloy	Selective Au Over Ni	8
5	LED		Green and Yellow	2

Part Number Table

Description	Part Number
RJ45 Receptacle 8P8C Tabup R/A DIP Type, Shielded without Led, Contact G/F	MC001518

Important Notice : This data sheet and its contents (the "Information") belong to the members of the Premier Farnell group of companies (the "Group") or are licensed to it. No licence is granted for the use of it other than for information purposes in connection with the products to which it relates. No licence of any intellectual property rights is granted. The Information is subject to change without notice and replaces all data sheets previously supplied. The Information supplied is believed to be accurate but the Group assumes no responsibility for its accuracy or completeness, any error in or omission from it or for any use made of it. Users of this data sheet should check for themselves the Information and the suitability of the products for their purpose and not make any assumptions based on information included or omitted. Liability for loss or damage resulting from any reliance on the Information or use of it (including liability resulting from negligence or where the Group was aware of the possibility of such loss or damage arising) is excluded. This will not operate to limit or restrict the Group's liability for death or personal injury resulting from its negligence. Multicomp is the registered trademark of the Group. © Premier Farnell Limited 2016.

www.element14.com
www.farnell.com
www.newark.com

