

# RJ45 Receptacle R/A Tabup W/F 100/1000M, Shielded with Led



## Specifications:

Meets IEEE 802.3 & ANSI × 3.263 Standards

Wave solder Temperature capable 265°C ±5°C

Operating Temperature : 0°C to +75°C

Storage Temperature : -40°C to +85°C

Durability : 750 cycles

Electrical Characteristics (Test temp. 25°C ±5°C)

Contact Resistance : 30MΩ

Insulation Resistance : 500MΩ

Transmitter Filter & Receiver Filter

Type : Blance Low Pass 100Ω Impedance

Insertion Loss : 1MHz to 100MHz - 1dB Max.

Return Loss : 1Mhz to 30Mhz - 18dB Min. Load 100Ω  
30MHz to 60MHz - 16dB Min. Load 100Ω  
60MHz to 80MHz - 12dB Min. Load 100Ω

Cross Talk : 1MHz to 100MHz - 30dB Min.

Common Mode Rejection : 1MHz to 100MHz - 30dB Min

Inductance : 100kHz, 100mV, 8mA, DC BIAS 350μH Min.

Hipot Test:

Input to Output : 1,500V AC or 2,250V DC, 1mA 60Sec

DC Resistance : 1.2Ω Max.

Operating Voltage & Current

Rated Current : 1.5A Max.

Rated Voltage : 150V Max.

Transformer Current : 300MA Max.

RoHS  
Compliant

## Material and Finish:

Housing : Thermoplastic Plastic, Black, UL94 V-0

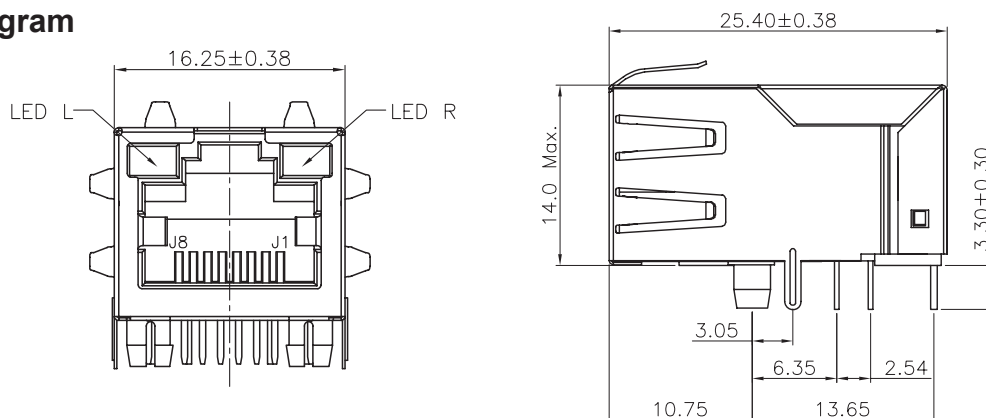
Insert : Thermoplastic Plastic, Black, UL94 V-0

Input Contact : Copper Alloy, T = 0.35mm, Solder Area : SN 80μ" Min.

Output Contact : Copper Alloy, T = 0.35mm, Contact Area : Gold Plating 6μ", Solder Area : SN 80μ" Min.

Shell : Copper Alloy, T = 0.2mm Ni 30μ" Min.

## Diagram



Dimensions : Millimetres

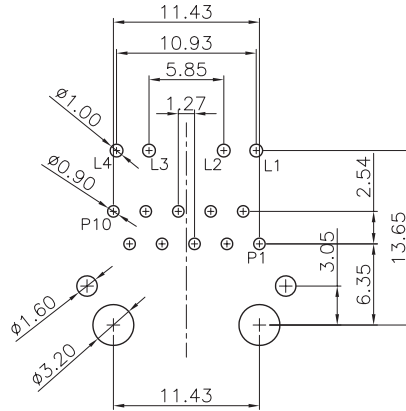
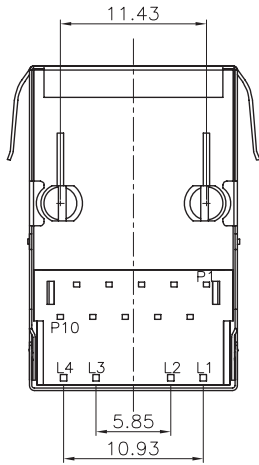
[www.element14.com](http://www.element14.com)

[www.farnell.com](http://www.farnell.com)

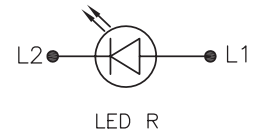
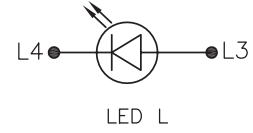
[www.newark.com](http://www.newark.com)



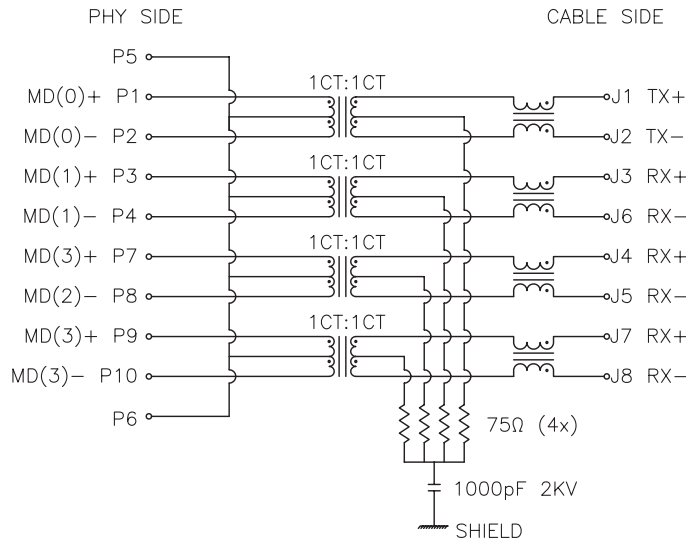
# RJ45 Receptacle R/A Tabup W/F 100/1000M, Shielded with Led



Recommended PCB Layout  
(T=1.60mm, Tol: ±0.05)



### SCHEMATICS (1000BASE-TX)



Dimensions : Millimetres

### Part Number Table

Description	Part Number
RJ45 Receptacle R/A Tabup W/F 100/1000M, Shielded with Led	MC001524

**Important Notice :** This data sheet and its contents (the "Information") belong to the members of the Premier Farnell group of companies (the "Group") or are licensed to it. No licence is granted for the use of it other than for information purposes in connection with the products to which it relates. No licence of any intellectual property rights is granted. The Information is subject to change without notice and replaces all data sheets previously supplied. The Information supplied is believed to be accurate but the Group assumes no responsibility for its accuracy or completeness, any error in or omission from it or for any use made of it. Users of this data sheet should check for themselves the Information and the suitability of the products for their purpose and not make any assumptions based on information included or omitted. Liability for loss or damage resulting from any reliance on the Information or use of it (including liability resulting from negligence or where the Group was aware of the possibility of such loss or damage arising) is excluded. This will not operate to limit or restrict the Group's liability for death or personal injury resulting from its negligence. Multicomp is the registered trademark of the Group. © Premier Farnell Limited 2016.

www.element14.com  
www.farnell.com  
www.newark.com

