



## Wireless position switch

### RF 95 W LR SW915

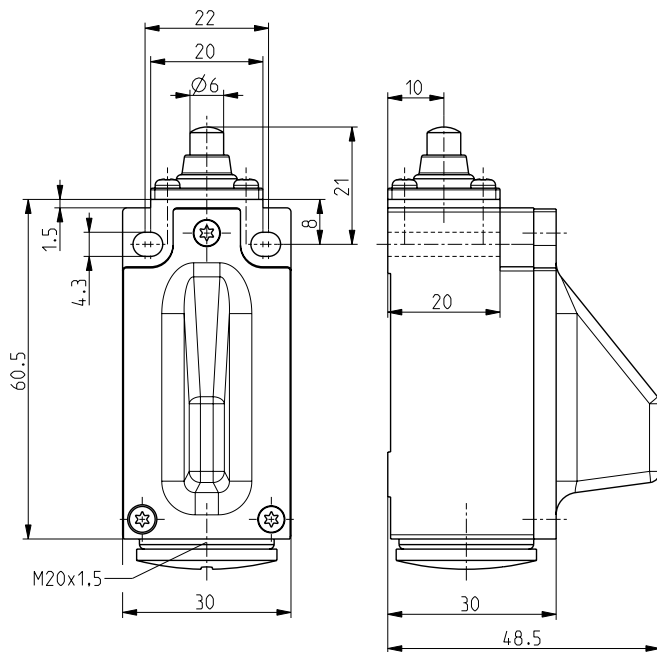
Material number: 1190527 (Material number old: 95902005)

#### Features/Options

- Thermoplastic enclosure
- Design to EN 50047
- sWave® wireless technology
- No power supply, no wiring and pipe laying required
- Easy programming of receiver

- Output signal can be individually configured at the receiver
- Actuator: Plunger with collar W
- Actuator type B to EN 50047
- Watertight collar for protection against penetration of dirt

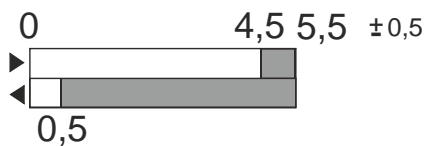
#### Dimensions



#### Technical data

<b>Standards</b>	EN 60947-5-1; EN 61000-6-2, -6-3, EN 61000-4-2, -4-20; EN 301 489-1; EN 301 489-3; EN 300 220-1; EN 300 220-2
<b>Enclosure</b>	glass-fibre reinforced, shock-proof thermoplastic, self-extinguishing UL 94-V0
<b>Cover</b>	glass-fibre reinforced, shock-proof thermoplastic, self-extinguishing UL 94-V0
<b>Tightening torque</b>	mounting screw enclosure: max. 1.2 ... 1.3 Nm
<b>Degree of protection</b>	IP 67 to IEC/EN 60529
<b>Protocol</b>	sWave®
<b>Ambient temperature</b>	-20 °C ... +65 °C
<b>Operation cycles</b>	approx. 12000 telegrams at repetitions/h
<b>Voltage supply</b>	Electrodynamic energy generator
<b>Frequency</b>	915 MHz (USA, Canada and Australia)
<b>Transmission power</b>	< 10 mW
<b>Data rate</b>	66 kbps
<b>Channel bandwidth</b>	400 kHz
<b>Sensing range</b>	max. 450 m outside, max. 40 m inside
<b>Mechanical life</b>	> 1 million operations
<b>Actuating time</b>	min. 80 ms
<b>Note</b>	no status signal available
<b>Approvals</b>	USA: FCC: XK5-RF95SW915SR; Canada: IC: 5158A-RF95SW915SR
<b>Weight</b>	66 g

#### Switching diagram



Errors and omissions excepted.