

INDICATOR LIGHT, 22MM, ROUND, PLASTIC, WHITE, SMOOTH LENS



Figure similar

<b>product brand name</b>	SIRIUS ACT
<b>Product designation</b>	Commanding and signaling devices
<b>Design of the product</b>	Pilot Light

**Actuator:**

<b>Color</b>	
• of the actuating element	White
<b>Material of the actuating element</b>	plastic
<b>Shape of the actuating element</b>	round
<b>Outer diameter of the actuating element</b>	29.45 mm

**Front ring:**

<b>Product component front ring</b>	No
-------------------------------------	----

**General technical data:**

<b>Shock resistance</b>	
• acc. to IEC 60068-2-27	Sinusoidal half-wave 50 g / 11 ms
<b>Vibration resistance</b>	
• acc. to IEC 60068-2-6	10 ... 500 Hz: 5g
<b>Protection class IP</b>	IP66, IP67, IP69(IP69K)
<b>Equipment marking</b>	
• acc. to DIN EN 61346-2	P
• acc. to DIN EN 81346-2	P

**Ambient conditions:**

<b>Ambient temperature</b>	
• during operation	-25 ... +70 °C
• during storage	-40 ... +80 °C

#### Installation/ mounting/ dimensions:

Height	29.5 mm
Width	29.5 mm
Shape of the installation opening	round
Mounting diameter	22 mm

#### Certificates/ approvals:

#### Further information

##### Information- and Downloadcenter (Catalogs, Brochures,...)

<http://www.siemens.com/industrial-controls/catalogs>

##### Industry Mall (Online ordering system)

<http://www.siemens.com/industrymall>

##### Cax online generator

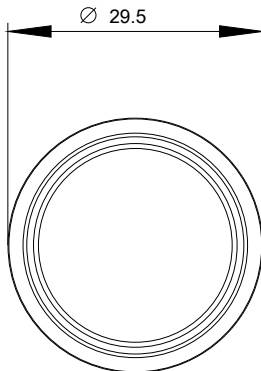
<http://support.automation.siemens.com/WW/CAXorder/default.aspx?lang=en&mlfb=3SU10016AA600AA0>

##### Service&Support (Manuals, Certificates, Characteristics, FAQs,...)

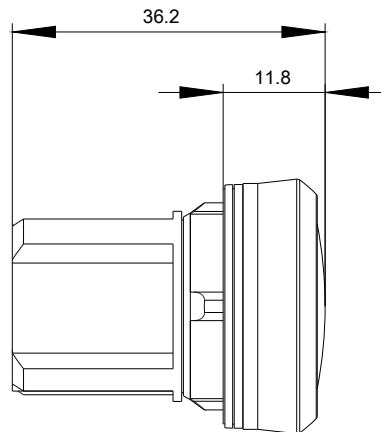
<https://support.industry.siemens.com/cs/ww/en/ps/3SU10016AA600AA0>

##### Image database (product images, 2D dimension drawings, 3D models, device circuit diagrams, EPLAN macros, ...)

[http://www.automation.siemens.com/bilddb/cax\\_de.aspx?mlfb=3SU10016AA600AA0&lang=en](http://www.automation.siemens.com/bilddb/cax_de.aspx?mlfb=3SU10016AA600AA0&lang=en)



last modified:



27.04.2015