



CONTACT MODULE WITH 1 CONTACT ELEMENT, 1NC, SCREW TERMINAL, FOR FRONT PLATE MOUNTING

Figure similar

<b>product brand name</b>	SIRIUS ACT
<b>Product designation</b>	Commanding and signaling devices
<b>Design of the product</b>	Contact module

Contact block/ lampholder:

<b>Suitability for integration</b>	
<ul style="list-style-type: none"> <li>• pressure selection button</li> <li>• front element</li> <li>• Pendant pushbutton</li> <li>• Pendant switch</li> </ul>	<p>Yes</p> <p>Yes</p> <p>Yes</p> <p>Yes</p>

General technical data:

<b>Product function</b>	
<ul style="list-style-type: none"> <li>• positive opening</li> </ul>	Yes
<b>Insulation voltage</b>	
<ul style="list-style-type: none"> <li>• Rated value</li> </ul>	500 V
<b>Type of voltage</b>	
<ul style="list-style-type: none"> <li>• of the operating voltage</li> <li>• of the input voltage</li> </ul>	<p>AC/DC</p> <p>AC/DC</p>
<b>Degree of pollution</b>	3
<b>Shock resistance</b>	
<ul style="list-style-type: none"> <li>• acc. to IEC 60068-2-27</li> </ul>	Sinusoidal half-wave 50 g / 11 ms
<b>Vibration resistance</b>	
<ul style="list-style-type: none"> <li>• acc. to IEC 60068-2-6</li> </ul>	10 ... 500 Hz: 5g
<b>Surge voltage resistance Rated value</b>	6 kV
<b>Operating frequency maximum</b>	3 600 1/h

<b>Mechanical service life (switching cycles)</b>	
• typical	10 000 000
<b>Electrical endurance (switching cycles)</b>	
• typical	10 000 000
<b>Thermal current</b>	10 A
<b>Protection class IP</b>	
• of the enclosure	IP40
• of the terminal	IP20
<b>Equipment marking</b>	
• acc. to DIN EN 61346-2	S
• acc. to DIN EN 81346-2	S
<b>Design of the fuse link for short-circuit protection of the auxiliary switch with type of assignment 1 required</b>	gG / Dz 10 A, quick-acting / Dz 10 A
<b>Continuous current of the C characteristic MCB</b>	10 A
<b>Operating voltage</b>	
• with AC	
— at 50 Hz Rated value	5 ... 500 V
— at 60 Hz Rated value	5 ... 500 V
• for DC Rated value	
— maximum	500 V
— minimum	5 V

#### Power Electronics:

<b>Contact reliability</b>	One maloperation per 100 million (17 V, 5 mA), one maloperation per 10 million (5 V, 1 mA)
----------------------------	--

#### Auxiliary circuit:

<b>Number of NC contacts</b>	
• for auxiliary contacts	1
<b>Number of NO contacts</b>	
• for auxiliary contacts	0
<b>Number of CO contacts</b>	
• for auxiliary contacts	0
<b>Design of the contact of the auxiliary contacts</b>	Silver alloy
<b>Operating current at AC-12</b>	
• at 110 V Rated value	10 A
• at 48 V Rated value	10 A
• at 400 V Rated value	8 A
• at 24 V Rated value	10 A
• at 230 V Rated value	8 A
<b>Operating current at AC-15</b>	
• at 230 V Rated value	6 A
• at 400 V Rated value	3 A

Operating current	
<ul style="list-style-type: none"> <li>• at DC-13 at 400 V Rated value</li> </ul>	0.1 A
Operating current	
<ul style="list-style-type: none"> <li>• at DC-12 <ul style="list-style-type: none"> <li>— at 110 V Rated value</li> </ul> </li> <li>• at DC-13 <ul style="list-style-type: none"> <li>— at 24 V Rated value</li> <li>— at 110 V Rated value</li> </ul> </li> </ul>	2.5 A 3 A 0.7 A

#### Connections/ Terminals:

<b>Type of electrical connection</b>	screw-type terminals
<b>Type of connectable conductor cross-section</b>	
<ul style="list-style-type: none"> <li>• solid with core end processing</li> <li>• solid without core end processing</li> <li>• finely stranded with core end processing</li> <li>• finely stranded without core end processing</li> <li>• for AWG conductors</li> </ul>	2x (0.5 ... 0.75 mm <sup>2</sup> ) 2x (1.0 ... 1.5 mm <sup>2</sup> ) 2x (0.5 ... 1.5 mm <sup>2</sup> ) 2x (1,0 ... 1,5 mm <sup>2</sup> ) 2x (18 ... 14)
<b>Tightening torque</b>	
<ul style="list-style-type: none"> <li>• with screw-type terminals</li> </ul>	0.8 ... 0.9 N·m

#### Ambient conditions:

<b>Ambient temperature</b>	
<ul style="list-style-type: none"> <li>• during operation</li> <li>• during storage</li> </ul>	-25 ... +70 °C -40 ... +80 °C

#### Installation/ mounting/ dimensions:

<b>Mounting type</b>	
<ul style="list-style-type: none"> <li>• of modules and accessories</li> </ul>	Front plate mounting
<b>Height</b>	33.2 mm
<b>Width</b>	9.8 mm
<b>Depth</b>	27.7 mm

#### Certificates/ approvals:

#### Further information

##### Information- and Downloadcenter (Catalogs, Brochures,...)

<http://www.siemens.com/industrial-controls/catalogs>

##### Industry Mall (Online ordering system)

<http://www.siemens.com/industrymall>

##### Cax online generator

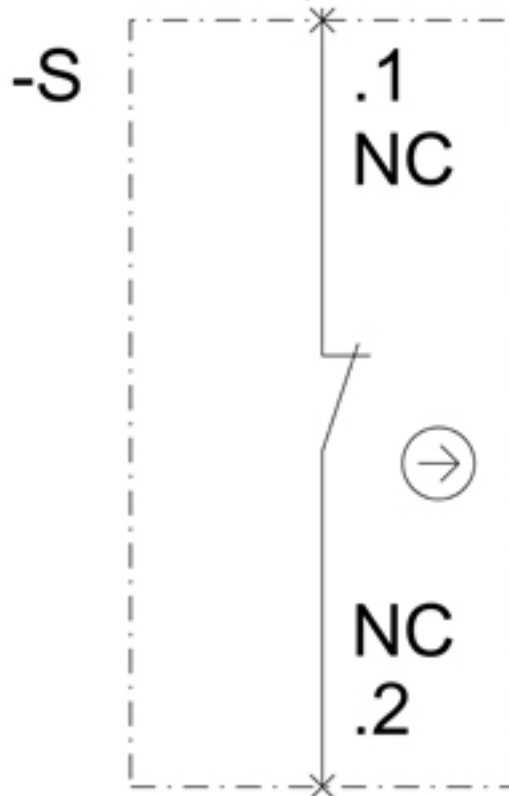
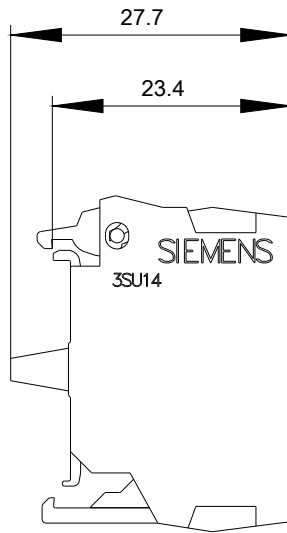
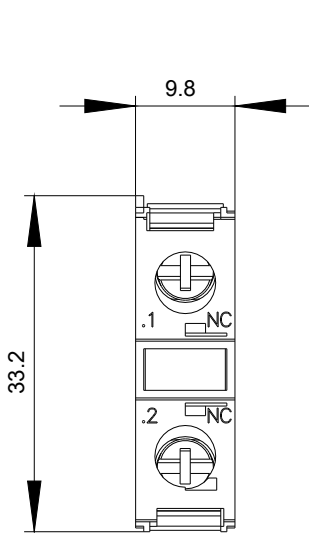
<http://support.automation.siemens.com/WW/CAXorder/default.aspx?lang=en&mlfb=3SU14001AA101CA0>

##### Service&Support (Manuals, Certificates, Characteristics, FAQs,...)

<https://support.industry.siemens.com/cs/ww/en/ps/3SU14001AA101CA0>

##### Image database (product images, 2D dimension drawings, 3D models, device circuit diagrams, EPLAN macros, ...)

[http://www.automation.siemens.com/bilddb/cax\\_de.aspx?mlfb=3SU14001AA101CA0&lang=en](http://www.automation.siemens.com/bilddb/cax_de.aspx?mlfb=3SU14001AA101CA0&lang=en)



last modified:

27.04.2015