

TNC Male Right Angle Connector Assembly

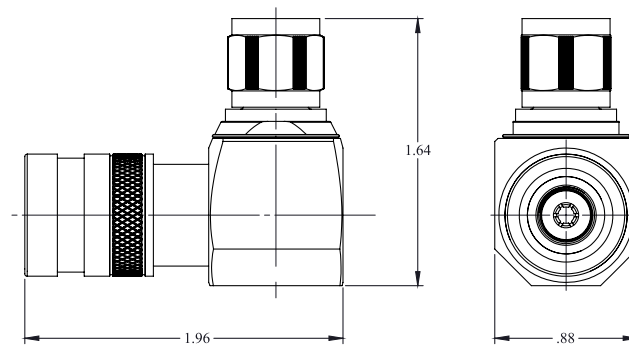


RoHS
Compliant



Specifications:

Impedance	: 50Ω
Frequency Range	: 0 - 7 GHz
Temperature Range	: -55°C to +85°C
Waterproof Design	: IP68 Rated



Dimensions : Inches

No.	Description	Qty.
1	Clamp, 50Ω, N Male, 400	1
2	Post, 50Ω, N Male, 400	
3	Compression Ring, 50Ω, N Male, 400	
4	Body, 50Ω, N Male, 400, RA	
5	Insulator, 50Ω, N Male, 400, RA	
6	Insulator, 50Ω, N Male, 400, RA	
7	Retaining Compound, Loctite 680	0.0004
8	Pin, 50Ω, TNC Male, 400, RA	1
9	Insulator, 50Ω, TNC Male, 400 RA	
10	Installation Guide, 50Ω, Braided	0.005
11	Nut, 50Ω, TNC	1
12	Front Body, 50Ω, TNC Male, 400, RA	
13	Gasket, 50Ω, TNC Male	
14	Nut Retainer, 50Ω, TNC	
15	O-RING	

Part Number Table

Description	Part Number
TNC Male Right Angle Connector Assembly, 50Ω for 400 Size Cable	MCRF-TRA-400

Important Notice : This data sheet and its contents (the "Information") belong to the members of the Premier Farnell group of companies (the "Group") or are licensed to it. No licence is granted for the use of it other than for information purposes in connection with the products to which it relates. No licence of any intellectual property rights is granted. The Information is subject to change without notice and replaces all data sheets previously supplied. The Information supplied is believed to be accurate but the Group assumes no responsibility for its accuracy or completeness, any error in or omission from it or for any use made of it. Users of this data sheet should check for themselves the Information and the suitability of the products for their purpose and not make any assumptions based on information included or omitted. Liability for loss or damage resulting from any reliance on the Information or use of it (including liability resulting from negligence or where the Group was aware of the possibility of such loss or damage arising) is excluded. This will not operate to limit or restrict the Group's liability for death or personal injury resulting from its negligence. Multicomp is the registered trademark of the Group. © Premier Farnell Limited 2016.

www.element14.com
www.farnell.com
www.newark.com

