



Is Now Part of



**ON Semiconductor®**

To learn more about ON Semiconductor, please visit our website at  
[www.onsemi.com](http://www.onsemi.com)

ON Semiconductor and the ON Semiconductor logo are trademarks of Semiconductor Components Industries, LLC dba ON Semiconductor or its subsidiaries in the United States and/or other countries. ON Semiconductor owns the rights to a number of patents, trademarks, copyrights, trade secrets, and other intellectual property. A listing of ON Semiconductor's product/patent coverage may be accessed at [www.onsemi.com/site/pdf/Patent-Marking.pdf](http://www.onsemi.com/site/pdf/Patent-Marking.pdf). ON Semiconductor reserves the right to make changes without further notice to any products herein. ON Semiconductor makes no warranty, representation or guarantee regarding the suitability of its products for any particular purpose, nor does ON Semiconductor assume any liability arising out of the application or use of any product or circuit, and specifically disclaims any and all liability, including without limitation special, consequential or incidental damages. Buyer is responsible for its products and applications using ON Semiconductor products, including compliance with all laws, regulations and safety requirements or standards, regardless of any support or applications information provided by ON Semiconductor. "Typical" parameters which may be provided in ON Semiconductor data sheets and/or specifications can and do vary in different applications and actual performance may vary over time. All operating parameters, including "Typicals" must be validated for each customer application by customer's technical experts. ON Semiconductor does not convey any license under its patent rights nor the rights of others. ON Semiconductor products are not designed, intended, or authorized for use as a critical component in life support systems or any FDA Class 3 medical devices or medical devices with a same or similar classification in a foreign jurisdiction or any devices intended for implantation in the human body. Should Buyer purchase or use ON Semiconductor products for any such unintended or unauthorized application, Buyer shall indemnify and hold ON Semiconductor and its officers, employees, subsidiaries, affiliates, and distributors harmless against all claims, costs, damages, and expenses, and reasonable attorney fees arising out of, directly or indirectly, any claim of personal injury or death associated with such unintended or unauthorized use, even if such claim alleges that ON Semiconductor was negligent regarding the design or manufacture of the part. ON Semiconductor is an Equal Opportunity/Affirmative Action Employer. This literature is subject to all applicable copyright laws and is not for resale in any manner.



August 2016

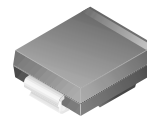
# SS32 - S310 Schottky Rectifier

## Features

- Metal to Silicon Rectifiers, Majority Carrier Conduction
- Low-Forward Voltage Drop
- Easy Pick and Place
- High-Surge Current Capability

## Description

The SS32-S310 series includes a high-efficiency, low power loss, general-purpose Schottky rectifiers. The clip-bonded leg structure provides high thermal performance and low electrical resistance. These rectifiers are suited for free wheeling, secondary rectification, and reverse polarity protection applications.



SMC/DO-214AB  
COLOR BAND DENOTES CATHODE

## Ordering Information

| Part Number | Marking | Package  | Packing Method |
|-------------|---------|----------|----------------|
| SS32        | SS32    | DO-214AB | Tape and Reel  |
| SS33        | SS33    |          |                |
| SS34        | SS34    |          |                |
| SS35        | SS35    |          |                |
| SS36        | SS36    |          |                |
| SS38        | SS38    |          |                |
| SS39        | SS39    |          |                |
| S310        | S310    |          |                |

## Absolute Maximum Ratings

Stresses exceeding the absolute maximum ratings may damage the device. The device may not function or be operable above the recommended operating conditions and stressing the parts to these levels is not recommended. In addition, extended exposure to stresses above the recommended operating conditions may affect device reliability. The absolute maximum ratings are stress ratings only. Values are at  $T_A = 25^\circ\text{C}$  unless otherwise noted.

| Symbol      | Parameter   | Value       |      |      |      |      |      |      |      | Units            |
|-------------|---|-------------|------|------|------|------|------|------|------|------------------|
|             |   | SS32        | SS33 | SS34 | SS35 | SS36 | SS38 | SS39 | S310 |                  |
| $V_{RRM}$   | Maximum Repetitive Reverse Voltage                                      | 20          | 30   | 40   | 50   | 60   | 80   | 90   | 100  | V                |
| $I_{F(AV)}$ | Maximum Average Forward Current at $T_A = 75^\circ\text{C}$             | 3.0         |      |      |      |      |      |      |      | A                |
| $I_{FSM}$   | Non-Repetitive Peak Forward Surge Current: 8.3 ms Single Half-Sine Wave | 100         |      |      |      |      |      |      |      | A                |
| dV/dt       | Maximum Voltage Rate of Change  | 10000       |      |      |      |      |      |      |      | V/ $\mu\text{S}$ |
| $T_{STG}$   | Storage Temperature Range   | -55 to +150 |      |      |      |      |      |      |      | $^\circ\text{C}$ |
| $T_J$       | Operating Junction Temperature  | -55 to +150 |      |      |      |      |      |      |      | $^\circ\text{C}$ |

### Thermal Characteristics

| Symbol          | Parameter  | Value | Units |
|-----------------|--|-------|-------|
| $P_D$           | Power Dissipation                                      | 2.27  | W     |
| $R_{\theta JA}$ | Thermal Resistance, Junction to Ambient <sup>(1)</sup> | 55    | °C/W  |
| $R_{\theta JL}$ | Thermal Resistance, Junction to Lead                   | 17    | °C/W  |

**Note:**

1. Device mounted on FE-4 PCB 0.55 x 0.55 inch (14 x 14 mm).

### Electrical Characteristics

Values are at  $T_A = 25^\circ\text{C}$  unless otherwise noted.

| Symbol | Parameter                      | Test Conditions           | Value |      |      |      |      |      |      | Units |
|--------|--------------------------------|---------------------------|-------|------|------|------|------|------|------|-------|
|        |                                |                           | SS32  | SS33 | SS34 | SS35 | SS36 | SS38 | SS39 |       |
| $V_F$  | Forwarded Voltage              | $I_F = 3.0 \text{ A}$     | 500   |      | 750  |      | 850  |      |      | mV    |
| $I_R$  | Reverse Current at Rated $V_R$ | $T_A = 25^\circ\text{C}$  | 0.5   |      |      |      |      |      |      | mA    |
|        |                                | $T_A = 100^\circ\text{C}$ | 20    |      | 10   |      |      |      |      |       |

Typical Performance Characteristics

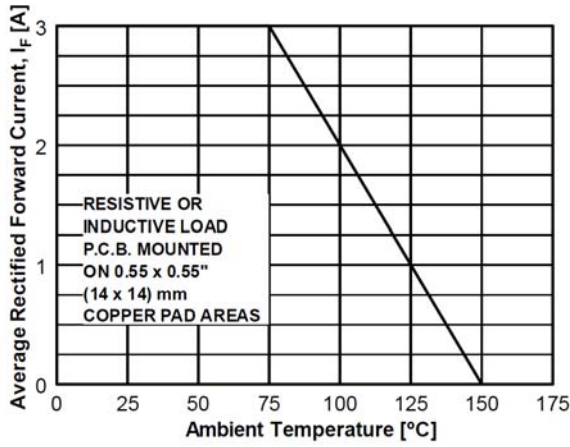


Figure 1. Forward Current Derating Curve

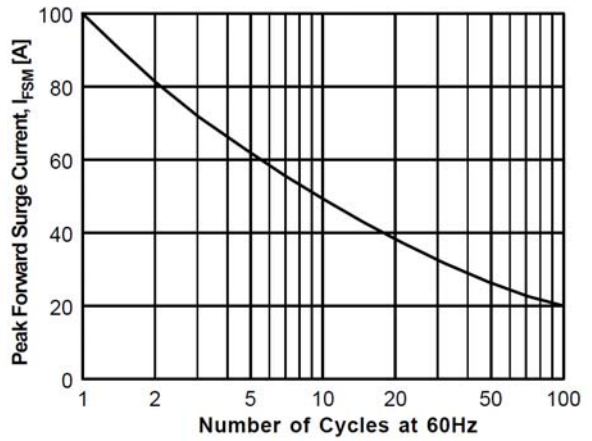


Figure 2. Non-Repetitive Surge Current

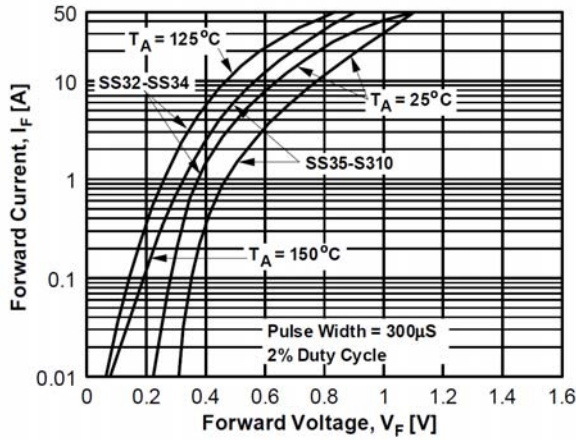


Figure 3. Forward Voltage Characteristics

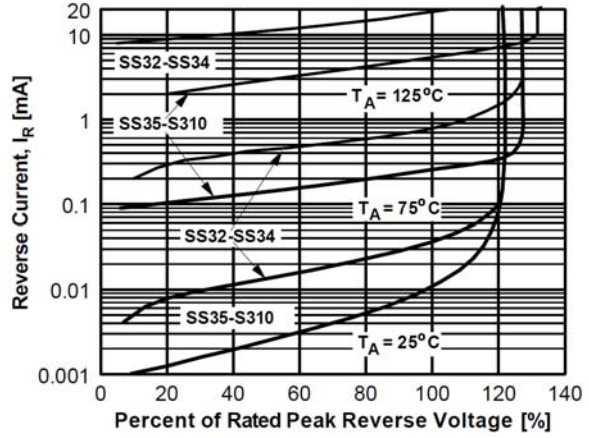


Figure 4. Reverse Current vs. Reverse Voltage

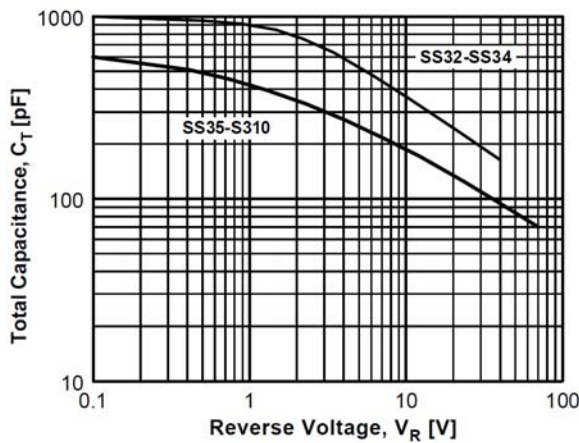


Figure 5. Total Capacitance

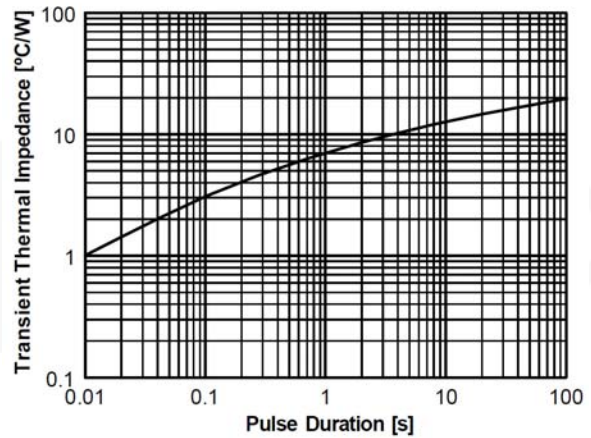
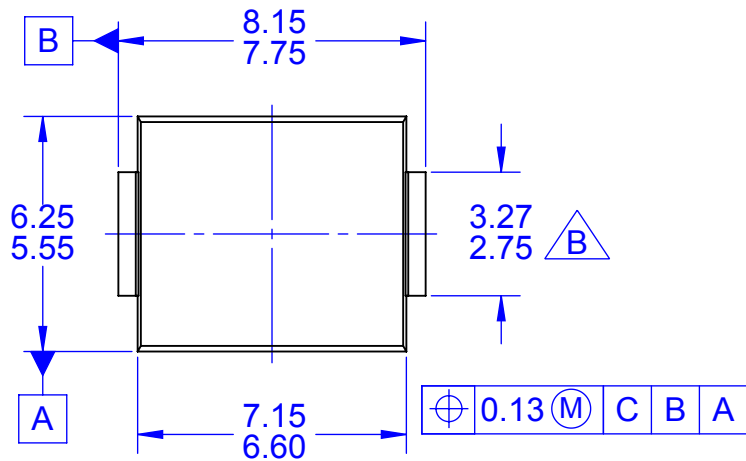
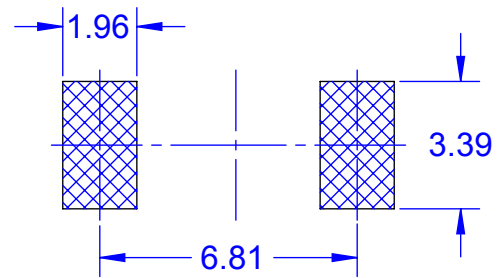


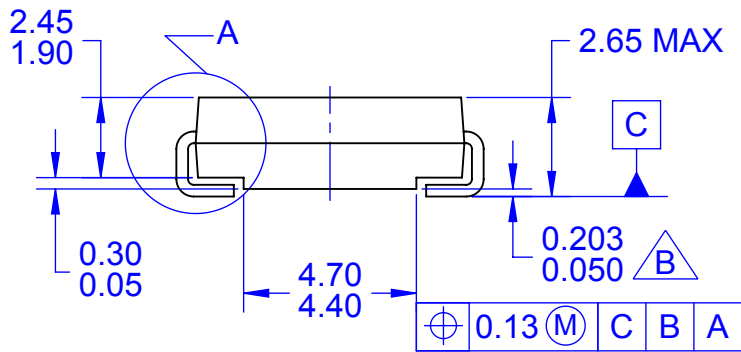
Figure 6. Thermal Impedance Characteristics



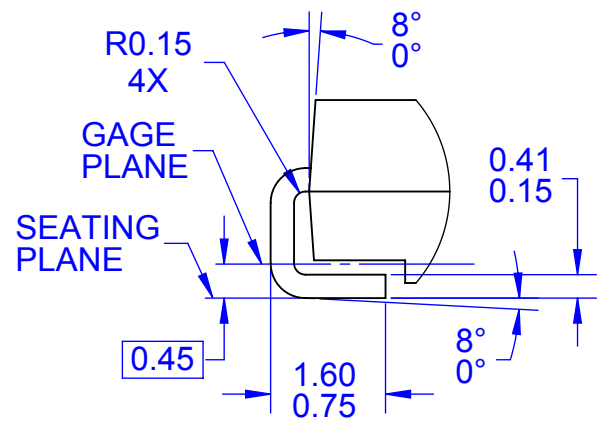
TOP VIEW



LAND PATTERN RECOMMENDATION



SIDE VIEW



DETAIL A  
SCALE 2:1

NOTES:

A. EXCEPT WHERE NOTED, CONFORMS TO JEDEC DO-214, VARIATION AB

$\triangle B$  DOES NOT COMPLY TO JEDEC STD. VALUE

C. ALL DIMENSIONS ARE IN MILLIMETERS

D. DIMENSIONS ARE EXCLUSIVE OF BURRS, MOLD FLASH, AND TIE BAR PROTRUSIONS.

E. DIMENSIONS AND TOLERANCING AS PER ASME Y14.5-2009

F. LAND PATTERN STANDARD: DIOM7957X241M

G. DRAWING FILENAME: MKT-DO214ABrev2



ON Semiconductor and  are trademarks of Semiconductor Components Industries, LLC dba ON Semiconductor or its subsidiaries in the United States and/or other countries. ON Semiconductor owns the rights to a number of patents, trademarks, copyrights, trade secrets, and other intellectual property. A listing of ON Semiconductor's product/patent coverage may be accessed at [www.onsemi.com/site/pdf/Patent-Marking.pdf](http://www.onsemi.com/site/pdf/Patent-Marking.pdf). ON Semiconductor reserves the right to make changes without further notice to any products herein. ON Semiconductor makes no warranty, representation or guarantee regarding the suitability of its products for any particular purpose, nor does ON Semiconductor assume any liability arising out of the application or use of any product or circuit, and specifically disclaims any and all liability, including without limitation special, consequential or incidental damages. Buyer is responsible for its products and applications using ON Semiconductor products, including compliance with all laws, regulations and safety requirements or standards, regardless of any support or applications information provided by ON Semiconductor. "Typical" parameters which may be provided in ON Semiconductor data sheets and/or specifications can and do vary in different applications and actual performance may vary over time. All operating parameters, including "Typicals" must be validated for each customer application by customer's technical experts. ON Semiconductor does not convey any license under its patent rights nor the rights of others. ON Semiconductor products are not designed, intended, or authorized for use as a critical component in life support systems or any FDA Class 3 medical devices or medical devices with a same or similar classification in a foreign jurisdiction or any devices intended for implantation in the human body. Should Buyer purchase or use ON Semiconductor products for any such unintended or unauthorized application, Buyer shall indemnify and hold ON Semiconductor and its officers, employees, subsidiaries, affiliates, and distributors harmless against all claims, costs, damages, and expenses, and reasonable attorney fees arising out of, directly or indirectly, any claim of personal injury or death associated with such unintended or unauthorized use, even if such claim alleges that ON Semiconductor was negligent regarding the design or manufacture of the part. ON Semiconductor is an Equal Opportunity/Affirmative Action Employer. This literature is subject to all applicable copyright laws and is not for resale in any manner.

## PUBLICATION ORDERING INFORMATION

### LITERATURE FULFILLMENT:

Literature Distribution Center for ON Semiconductor  
19521 E. 32nd Pkwy, Aurora, Colorado 80011 USA  
**Phone:** 303-675-2175 or 800-344-3860 Toll Free USA/Canada  
**Fax:** 303-675-2176 or 800-344-3867 Toll Free USA/Canada  
**Email:** [orderlit@onsemi.com](mailto:orderlit@onsemi.com)

**N. American Technical Support:** 800-282-9855 Toll Free  
USA/Canada  
**Europe, Middle East and Africa Technical Support:**  
Phone: 421 33 790 2910  
**Japan Customer Focus Center**  
Phone: 81-3-5817-1050

**ON Semiconductor Website:** [www.onsemi.com](http://www.onsemi.com)  
**Order Literature:** <http://www.onsemi.com/orderlit>  
For additional information, please contact your local  
Sales Representative