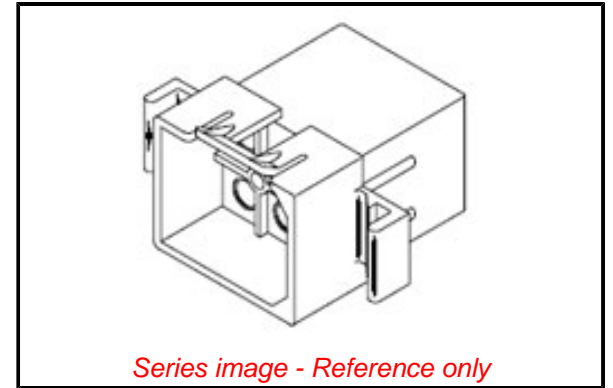


**PLEASE CHECK WWW.MOLEX.COM FOR LATEST PART INFORMATION**

**Part Number:** [0019092062](#)  
**Status:** **Active**  
**Overview:** Standard .093" Pin and Socket Connectors  
**Description:** 2.36mm Diameter, .093" Pin and Socket Plug Housing with Positive Latch, 6 Circuits, without Mounting Ears

**Documents:**

|   |   |
|---|---|
| <a href="#">3D Model</a>                                | <a href="#">Product Specification PS-1991-016 (PDF)</a>       |
| <a href="#">Drawing (PDF)</a>                           | <a href="#">Packaging Specification PK-1991-001-001 (PDF)</a> |
| <a href="#">Product Specification PS-02-09 (PDF)</a>    | <a href="#">RoHS Certificate of Compliance (PDF)</a>          |
| <a href="#">Product Specification PS-1991-015 (PDF)</a> |   |



**Agency Certification**

|     |         |
|-----|---------|
| CSA | LR19980 |
| UL  | E29179  |

**General**

|                |  |
|----------------|--|
| Product Family | Crimp Housings   |
| Series         | <a href="#">1991</a>                                     |
| Application    | Power, Wire-to-Wire                                      |
| Comments       | Polarized to Mating Part                                 |
| Overview       | <a href="#">Standard .093" Pin and Socket Connectors</a> |
| Product Name   | Standard .093"   |
| UPC            | 800754943185   |

**Physical**

|                               |                 |
|-------------------------------|-----------------|
| Breakaway                     | No              |
| Circuits (maximum)            | 6               |
| Circuits Detail               | 2x3             |
| Color - Resin                 | Natural         |
| Flammability                  | 94V-2           |
| Gender                        | Plug            |
| Glow-Wire Compliant           | No              |
| Keying to Mating Part         | None            |
| Lock to Mating Part           | Yes             |
| Material - Resin              | Nylon           |
| Net Weight                    | 4.053/g         |
| Number of Rows                | 2               |
| Packaging Type                | Bag             |
| Panel Mount                   | No              |
| Pitch - Mating Interface      | 6.30mm          |
| Polarized to Mating Part      | Yes             |
| Stackable                     | No              |
| Temperature Range - Operating | -40°C to +105°C |

**Electrical**

|                               |      |
|-------------------------------|------|
| Current - Maximum per Contact | 9.0A |
|-------------------------------|------|

**Material Info**

|                    |          |
|--------------------|----------|
| Engineering Number | 1991-6P1 |
|--------------------|----------|

**Reference - Drawing Numbers**

|                         |                                    |
|-------------------------|------------------------------------|
| Packaging Specification | PK-1991-001-001                    |
| Product Specification   | PS-02-09, PS-1991-015, PS-1991-016 |
| Sales Drawing           | SD-1991-6*                         |

**EU ELV**

**Not Relevant**

**EU RoHS**

**Compliant**

**REACH SVHC**

Not Contained Per -  
ED/21/2016 (20 June  
2016)

**Halogen-Free**

**Status**

**Low-Halogen**

**Need more information on product environmental compliance?**

Email [productcompliance@molex.com](mailto:productcompliance@molex.com)  
Please visit the [Contact Us](#) section for any non-product compliance questions.

|                 |               |
|-----------------|---------------|
| China ROHS      | Green Image   |
| ELV             | Not Relevant  |
| RoHS Phthalates | Not Contained |

**Search Parts in this Series**

[1991 Series](#)

**Mates With**

[19-09-1061](#) , [19-09-1062](#)

**Use With**

[1189](#) Crimp Terminals, [1190](#) Crimp Terminals, [1380](#) Male Crimp Terminals, [1381](#) Female Crimp Terminals, [1433](#) Crimp Terminals, [1434](#) Male Crimp Terminals, [1973](#) , [2151](#) , [2273](#) , [2870](#) , [2871](#) , [4272](#) , Link: [4550](#), [6271](#)

This document was generated on 11/18/2016

**PLEASE CHECK [WWW.MOLEX.COM](http://WWW.MOLEX.COM) FOR LATEST PART INFORMATION**