

**PLEASE CHECK WWW.MOLEX.COM FOR LATEST PART INFORMATION**

**Part Number:** **0521160411**  
**Status:** **Active**  
**Overview:** Mizu-P25™ Miniature Waterproof Connectors  
**Description:** Mizu-P25™ 2.50mm Pitch Waterproof Wire-to-Wire Plug Housing, 4 Circuits

**Documents:**

<a href="#">3D Model</a>	<a href="#">Application Specification AS-52117-001-JP-001 (PDF)</a>
<a href="#">Drawing (PDF)</a>	<a href="#">Packaging Specification 521160000-P00 (PDF)</a>
<a href="#">Product Specification PS-52117-008-001 (PDF)</a>	<a href="#">RoHS Certificate of Compliance (PDF)</a>
<a href="#">Application Specification AS-52117-001-001 (PDF)</a>	

**Agency Certification**

UL E29179

**General**

Product Family	Crimp Housings
Series	52116
Application	Signal, Wire-to-Wire
Application Tooling Part Link	62202-4400
Overview	<a href="#">Mizu-P25™ Miniature Waterproof Connectors</a>
Product Name	Mizu-P25™ Waterproof, Splash Proof
UPC	800754368599

**Physical**

Circuits (maximum)	4
Color - Resin	Black
Gender	Plug
Glow-Wire Compliant	No
Lock to Mating Part	Yes
Material - Resin	Polyester
Net Weight	1829.700/mg
Number of Rows	1
Packaging Type	Tray
Panel Mount	No
Pitch - Mating Interface	2.50mm
Stackable	No
Temperature Range - Operating	-40°C to +105°C

**Electrical**

Current - Maximum per Contact 3.0A

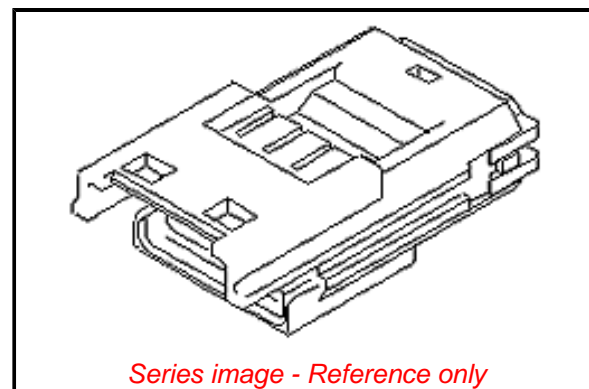
**Solder Process Data**

Lead-freeProcess Capability N/A

**Material Info**

**Reference - Drawing Numbers**

Application Specification	AS-52117-001-001, AS-52117-001-JP-001
Packaging Specification	521160000-P00
Product Specification	PS-52117-008-001
Sales Drawing	SD-52116-002



Series image - Reference only

**EU ELV**

**Compliant**

**EU RoHS**

**Compliant**

**REACH SVHC**

Not Contained Per -  
ED/21/2016 (20 June  
2016)

**Halogen-Free**

**Status**

**Not Low-Halogen**

**Need more information on product environmental compliance?**

Email [productcompliance@molex.com](mailto:productcompliance@molex.com)  
Please visit the [Contact Us](#) section for any non-product compliance questions.

China ROHS

ELV

RoHS Phthalates

**China RoHS**

Green Image

Compliant

Not Contained

**Search Parts in this Series**

52116 Series

**Mates With**

52117 Mizu-P25™ 2.50mm Pitch Waterproof Wire-to-Wire Receptacle Housing

**Use With**

50038 Mizu-P25™ Crimp Terminal