

PLEASE CHECK WWW.MOLEX.COM FOR LATEST PART INFORMATION

Part Number: **0534081079**
Status: **Active**
Description: 1.00mm Pitch Plug, Surface Mount, Dual Row, Vertical Stacking, 18.00mm Stack Height, 100 Circuits

Documents:

[3D Model](#) [Packaging Specification SPK-53408-001-001 \(PDF\)](#)
[Drawing \(PDF\)](#) [RoHS Certificate of Compliance \(PDF\)](#)

General

Product Family PCB Headers
Series [53408](#)
Application Board-to-Board, Signal
Product Name N/A
UPC 822348189892

Physical

Breakaway No
Circuits (Loaded) 100
Circuits (maximum) 100
Color - Resin Natural
Durability (mating cycles max) 50
First Mate / Last Break No
Glow-Wire Compliant No
Guide to Mating Part No
Keying to Mating Part None
Lock to Mating Part None
Mated Height 18.00mm
Material - Metal Phosphor Bronze
Material - Plating Mating Gold
Material - Plating Termination Tin
Material - Resin High Temperature Thermoplastic
Net Weight 5175.900/mg
Number of Rows 2
Orientation Vertical
PCB Locator Yes
PCB Retention Yes
PCB Thickness - Recommended 1.00mm
Packaging Type Tube
Pitch - Mating Interface 1.00mm
Plating min - Mating 0.254µm
Plating min - Termination 1.016µm
Polarized to PCB No
Shrouded Fully
Stackable No
Temperature Range - Operating -55°C to +85°C
Termination Interface: Style Surface Mount

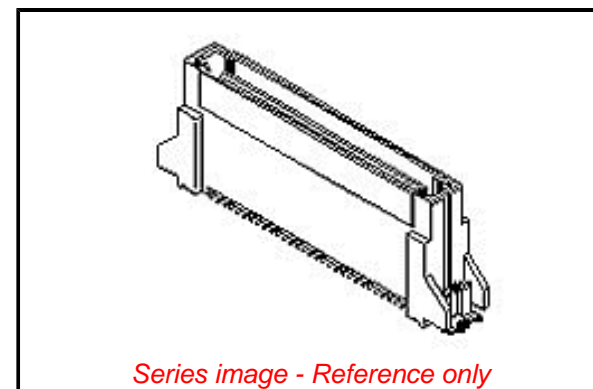
Electrical

Current - Maximum per Contact 0.5A
Voltage - Maximum 100V

Material Info

Reference - Drawing Numbers

Packaging Specification SPK-53408-001-001
Sales Drawing SD-53408-007, SD-53408-008



EU ELV

Not Relevant

EU RoHS

Compliant

REACH SVHC

Not Contained Per -
ED/21/2016 (20 June
2016)

Halogen-Free

Status

Low-Halogen

Need more information on product environmental compliance?

Email productcompliance@molex.com
Please visit the [Contact Us](#) section for any non-product compliance questions.

China ROHS	Green Image
ELV	Not Relevant
RoHS Phthalates	Not Contained

Search Parts in this Series

[53408](#) Series

Mates With

[52584](#) PCB Receptacle

This document was generated on 11/18/2016

PLEASE CHECK WWW.MOLEX.COM FOR LATEST PART INFORMATION