

**PLEASE CHECK WWW.MOLEX.COM FOR LATEST PART INFORMATION**

**Part Number:** [0008701031](#)  
**Status:** **Active**  
**Overview:** SPOX™ BMI Connector System  
**Description:** SPOX™ Crimp Terminal 5194, 18-24 AWG, Brass, Reel

**Documents:**

<a href="#">Drawing (PDF)</a>	<a href="#">Product Specification PS-5196-004 (PDF)</a>
<a href="#">Product Specification PS-5096-003 (PDF)</a>	<a href="#">Product Specification PS-5196-005 (PDF)</a>
<a href="#">Product Specification PS-5195-001 (PDF)</a>	<a href="#">Product Specification PS-5196-006-001 (PDF)</a>
<a href="#">Product Specification PS-5195-002 (PDF)</a>	<a href="#">Product Specification PS-5197-001 (PDF)</a>
<a href="#">Product Specification PS-5195-003 (PDF)</a>	<a href="#">Product Specification PS-5197-003 (PDF)</a>
<a href="#">Product Specification PS-5195-005-001 (PDF)</a>	<a href="#">Product Specification PS-5197-004 (PDF)</a>
<a href="#">Product Specification PS-5195-006-001 (PDF)</a>	<a href="#">Product Specification PS-5198-001-001 (PDF)</a>
<a href="#">Product Specification PS-5195-007-001 (PDF)</a>	<a href="#">Product Specification PS-5273-003 (PDF)</a>
<a href="#">Product Specification PS-5195-009 (PDF)</a>	<a href="#">Product Specification PS-5273-004 (PDF)</a>
<a href="#">Product Specification PS-5195-010 (PDF)</a>	<a href="#">Packaging Specification 51949200-200 (PDF)</a>
<a href="#">Product Specification PS-5195-011 (PDF)</a>	<a href="#">RoHS Certificate of Compliance (PDF)</a>
<a href="#">Product Specification PS-5196-001 (PDF)</a>	

**Agency Certification**

CSA LR19980

**General**

Product Family Crimp Terminals  
 Series [5194](#)  
 Application Signal  
 Crimp Quality Equipment Yes  
 Overview [SPOX™ BMI Connector System](#)  
 Packaging Alternative [08-70-1030 \(Loose\)](#)  
 Product Name SPOX™  
 UPC 800753534896

**Physical**

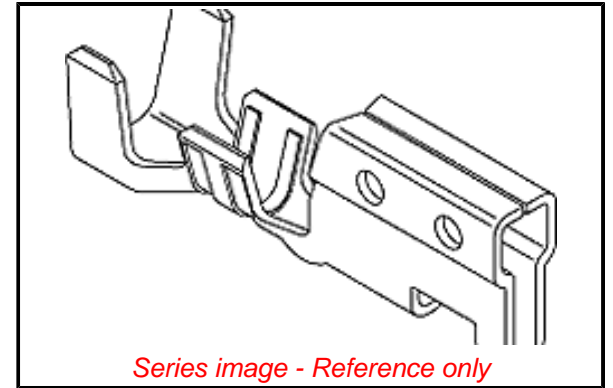
Gender Female  
 Material - Metal Brass  
 Material - Plating Mating Tin  
 Material - Plating Termination Tin  
 Net Weight 185.000/mg  
 Packaging Type Reel  
 Plating min - Mating 0.889µm  
 Plating min - Termination 0.889µm  
 Termination Interface: Style Crimp or Compression  
 Wire Insulation Diameter 1.30-3.20mm  
 Wire Size AWG 18, 20, 22, 24  
 Wire Size mm² N/A

**Material Info**

Engineering Number 5194T

**Reference - Drawing Numbers**

Crimp Specification CS-5194, CS-5194(S)  
 Packaging Specification 51949200-200  
 Product Specification PS-5096-003, PS-5195-001, PS-5195-002, PS-5195-003, PS-5195-005-001, PS-5195-006-001, PS-5195-007-001, PS-5195-009, PS-5195-010, PS-5195-011, PS-5196-001, PS-5196-004, PS-5196-005, PS-5196-006-001, PS-5197-001,



Series image - Reference only

**EU ELV**

**Not Relevant**

**EU RoHS**

**Compliant**

**China RoHS**

**REACH SVHC**

Not Contained Per -  
 ED/21/2016 (20 June  
 2016)

**Halogen-Free**

**Status**

**Low-Halogen**

**Need more information on product environmental compliance?**

Email [productcompliance@molex.com](mailto:productcompliance@molex.com)  
 Please visit the [Contact Us](#) section for any non-product compliance questions.

China ROHS	Green Image
ELV	Not Relevant
RoHS Phthalates	Not Contained

**Search Parts in this Series**

[5194 Series](#)

**Use With**

[5195](#) , [5196](#) , [5197](#) , [5198](#) , [5199](#)

**Application Tooling | FAQ**

*Tooling specifications and manuals are found by selecting the products below. Crimp Height Specifications are then contained in the Application Tooling Specification document.*

**Global**

Description	Product #
FineAdjust™	<a href="#">0639005300</a>

Applicator for  
 3.96mm Pitch Crimp  
 Terminal, 18-24  
 AWG Wire

Sales Drawing

PS-5197-003, PS-5197-004, PS-5198-001-001,  
PS-5273-003, PS-5273-004  
SD-5194-001

Hand Crimp Tool for 0638116500  
Crimp Terminals  
Extraction Tool 0638132700  
T2 Terminator 0639105300  
Tooling Die for Crimp  
Terminal, 18-24  
AWG Wire

**Japan**

<b>Description</b>	<b>Product #</b>
--------------------	------------------

Hand Extraction Tool	<u>0011260100</u>
----------------------	-------------------

Applicator for M211A	<u>0011260028</u>
----------------------	-------------------

Bench Press, 18-28	
--------------------	--

AWG Wire	
----------	--

This document was generated on 11/17/2016

**PLEASE CHECK [WWW.MOLEX.COM](http://WWW.MOLEX.COM) FOR LATEST PART INFORMATION**