

Spezifikation für Freigabe / specification for release

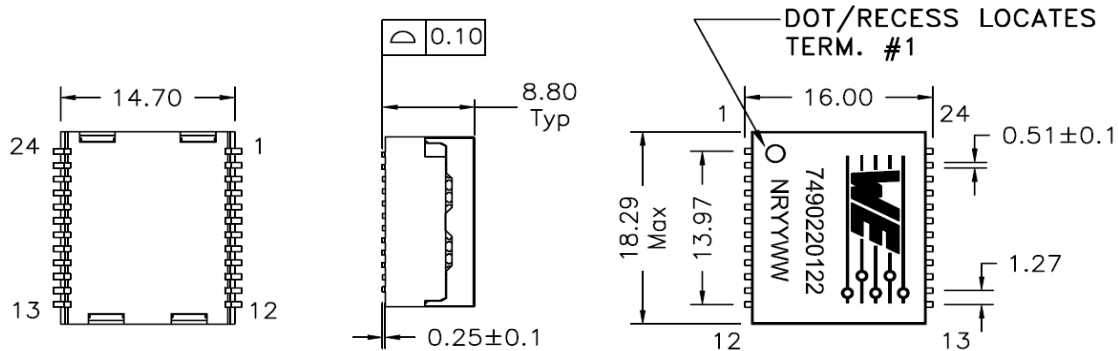
Kunde / customer :
 Artikelnummer / part number : **7490220122**
 Bezeichnung : **LAN-Übertrager WE-LAN**
 description : **LAN-Transformer WE-LAN**



DATUM / DATE : 2016-08-09

A Mechanische Abmessungen / dimensions :

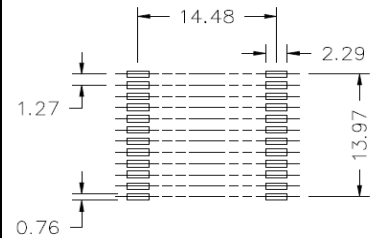
1000 BaseT 4PPoE



B Elektrische Eigenschaften / electrical properties :

Eigenschaften / properties	Testbedingungen / test conditions		Wert / value	Einheit / unit	tol.
Induktivität / Inductance	100kHz / 100mV @ 24mA DC-Bias	OCL	350	µH	min.
Übersetzungsverhältnis / Turns ratio	100kHz / 100mV	1CT:1CT	1 : 1	Tx	±2%
			1 : 1	Rx	
Insertion Loss	1MHz - 100 MHz	IL	-1,0	dB	max.
Return Loss	1MHz - 30 MHz	RL	-18	dB	min.
	30MHz - 60 MHz		-14		
	60MHz - 80 MHz		-12		
	80MHz - 100 MHz		-10		
Common to Common Mode Rejection	1MHz - 30MHz	CMRR	-40	dB	min.
	30MHz - 60 MHz		-35		
	60MHz - 100MHz		-30		
Crosstalk	1MHz - 60 MHz	CT	-35	dB	min.
	60MHz - 100 MHz		-30		

C Lötpad / soldering spec. :



D Prüfgeräte / test equipment :

Agilent E5071C

E Testbedingungen / test conditions :

Lufffeuchtigkeit / Humidity: 33%
 Umgebungstemperatur / Temperature: +25°C

F Werkstoffe & Zulassungen / material & approvals :

Basismaterial / Base material: Ferrit / Ferrite
 Draht / Wire: 0UEW/Y 180
 Kontaktmaterial / Contact plating: Cu-Ni-Sn
 Gehäuse / Case: DAP Black per UL 94V-0

G Eigenschaften / general specifications :

Betriebstemp. / operating temperature: -40°C - +85°C
 Hochspannungsprüfung / Hipot test: 1500Vrms 1min.
 Geeignet für 1000BaseT gemäß kommendem IEEE 802.3bt /
 Compliant with upcoming IEEE 802.3bt for 4PPoE

Freigabe erteilt / general release:

	Kunde / customer			
.....			
Datum / date	Unterschrift / signature	JaB	Version 03	2016-08-09
.....	JaB	Version 02	2016-07-26
.....	JaB	Version 01	2016-04-12
.....	JLiu	Preliminary	2015-08-18
Geprüft / checked	Kontrolliert / approved	Name	Änderung / modification	Datum / date

Würth Elektronik eiSos GmbH & Co.KG

D-74638 Waldenburg · Max-Eyth-Straße 1 - 3 · Germany · Telefon (+49) (0) 7942 - 945 - 0 · Telefax (+49) (0) 7942 - 945 - 400
<http://www.we-online.com>

Spezifikation für Freigabe / specification for release

Kunde / customer :

Artikelnummer / part number :

7490220122



Bezeichnung : LAN-Übertrager WE-LAN

description : LAN-Transformer WE-LAN

DATUM / DATE : 2016-08-09

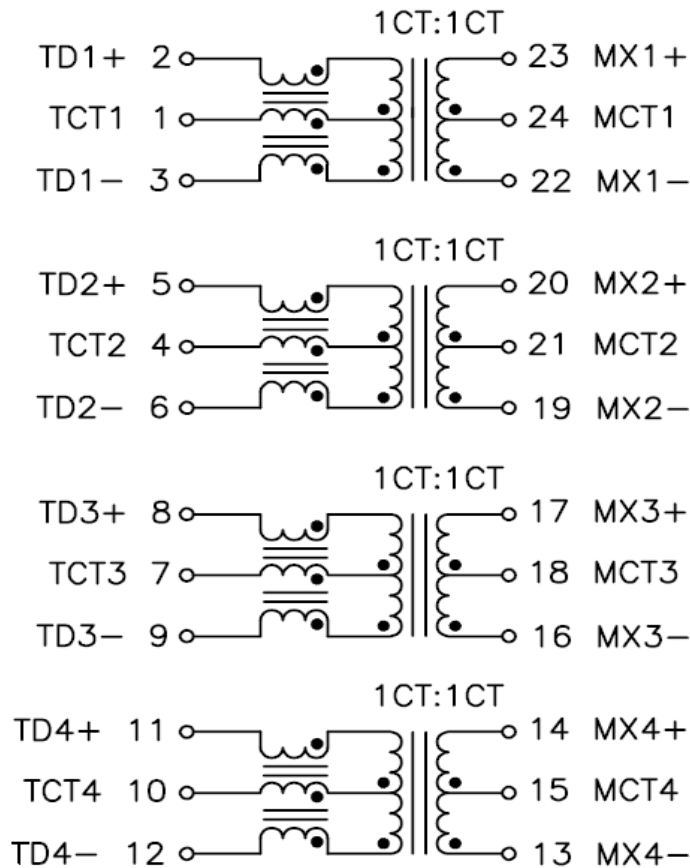
H PoE Eigenschaften :

Designed für Anwendungen bis 900mA
 pro Mittelanzapfung
 Designed für 45W Anwendungen wenn zwei Kanäle beströmt
 Designed für 90W Anwendungen wenn vier Kanäle beströmt

H PoE Specifications :

Designed to support applications up to 900mA
 per centre tap
 Designed for 45W applications when using two channels
 Designed for 90W applications when using four channels

I Schaltbild / Schematics :



Datum / date	Unterschrift / signature Würth Elektronik		
Geprüft / checked	Kontrolliert / approved	Name	Änderung / modification
		JaB	Version 03
		JaB	Version 02
		JaB	Version 01
		JLiu	Preliminary
		Name	Datum / date

Würth Elektronik eiSos GmbH & Co.KG

D-74638 Waldenburg · Max-Eyth-Straße 1 - 3 · Germany · Telefon (+49) (0) 7942 - 945 - 0 · Telefax (+49) (0) 7942 - 945 - 400
<http://www.we-online.com>

Spezifikation für Freigabe / specification for release

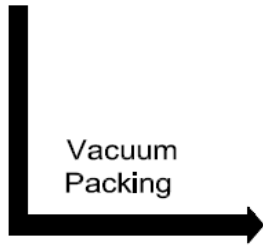
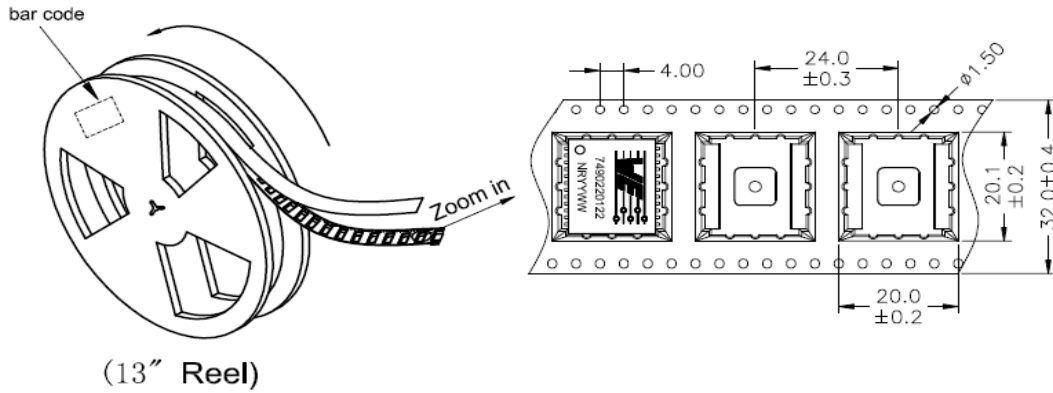
Kunde / customer :
 Artikelnummer / part number : **7490220122**
 Bezeichnung : **LAN-Übertrager WE-LAN**
 description : **LAN-Transformer WE-LAN**



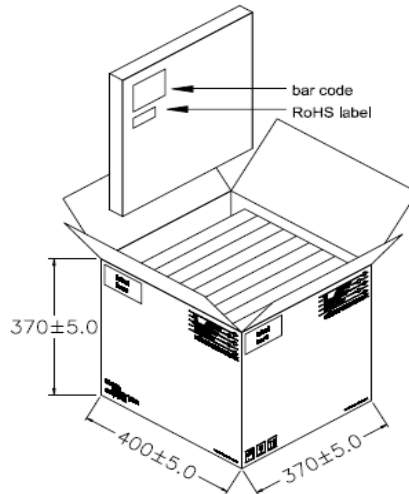
DATUM / DATE : 2016-08-09

I Rollenspezifikation / tape and reel specification :

PACKAGING(Tape & Reel)



Outside Carton



PACKING QUANTITY:

290 pcs Finished Goods / Reel

8 Reels (2320 pcs Finished Goods) / Carton

Freigabe erteilt / general release:	Kunde / customer			
Datum / date	Unterschrift / signature	JaB	Version 03	2016-08-09
	Würth Elektronik	JaB	Version 02	2016-07-26
		JaB	Version 01	2016-04-12
		JLiu	Preliminary	2015-08-18
Geprüft / checked	Kontrolliert / approved	Name	Änderung / modification	Datum / date

This electronic component has been designed and developed for usage in general electronic equipment. Before incorporating this component into any equipment where higher safety and reliability is especially required or if there is the possibility of direct damage or injury to human body, for example in the range of aerospace, aviation, nuclear control, submarine, transportation, (automotive control, train control, ship control), transportation signal, disaster prevention, medical, public information network etc, Würth Elektronik eiSos GmbH must be informed before the design-in stage. In addition, sufficient reliability evaluation checks for safety must be performed on every electronic component which is used in electrical circuits that require high safety and reliability functions or performance.

Würth Elektronik eiSos GmbH & Co.KG

D-74638 Waldenburg · Max-Eyth-Straße 1 - 3 · Germany · Telefon (+49) (0) 7942 - 945 - 0 · Telefax (+49) (0) 7942 - 945 - 400
<http://www.we-online.com>