



# CorePro LEDspot LV

## CoreProLEDspotLV ND 4.7-35W 827 MR16 36D

CorePro LEDspots are a perfect fit for spot lighting and deliver warm halogen-like light. They are compatible with most existing fixtures with MR16 GU5.3 holders and are designed as a retrofit replacement for halogen or incandescent spots. LEDlamps deliver huge energy savings and minimize maintenance cost.

### Product data

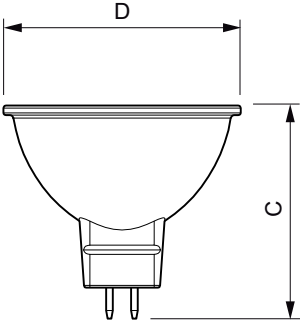
General Information		Wattage equivalent	
Cap base	GU5.3 [ GU5.3]		35 W
Bulb shape	MR16 [ 2inch/50mm]	Starting time (nom.)	0.5 s
Nominal lifetime (nom.)	15000 h	Warm-up time to 60% light (nom.)	1 s
Switching cycle	50000X	Power factor (nom.)	0.5
Technical type	4.7-35W	Voltage (Nom)	12 V
Light Technical		Temperature	
Beam Angle (Nom)	36 °	T-Case maximum (nom.)	76 °C
Luminous intensity (nom.)	900 cd	Controls and Dimming	
Colour designation	Warm white (WW)	Dimmable	No
Rated beam angle	36 °	Approval and Application	
Correlated colour temperature (nom.)	2700 K	Energy-saving product	Yes
Luminous efficacy (rated) (nom.)	80.85 lm/W	Suitable for accent lighting	Yes
Colour consistency	<6	Energy efficiency label (EEL)	A+
Color rendering index (nom.)	80	Energy Consumption kWh/1000 h	6 kWh
LLMF at end of nominal lifetime (nom.)	70 %	Product Data	
Luminous Flux In 90° Cone (Rated)	380 lm	Full product code	871869657943500
Operating and Electrical		Order product name	CoreProLEDspotLV ND 4.7-35W 827 MR16 36D
Power (Rated) (Nom)	4.7 W	EAN/UPC – product	8718696579435
Lamp current (nom.)	580 mA		

# CorePro LEDspot LV

Order code	57943500
Numerator – quantity per pack	1
Numerator – packs per outer box	10
Material no. (12NC)	929001240302

Net weight (piece)	0.045 kg
--------------------	----------

## Dimensional drawing

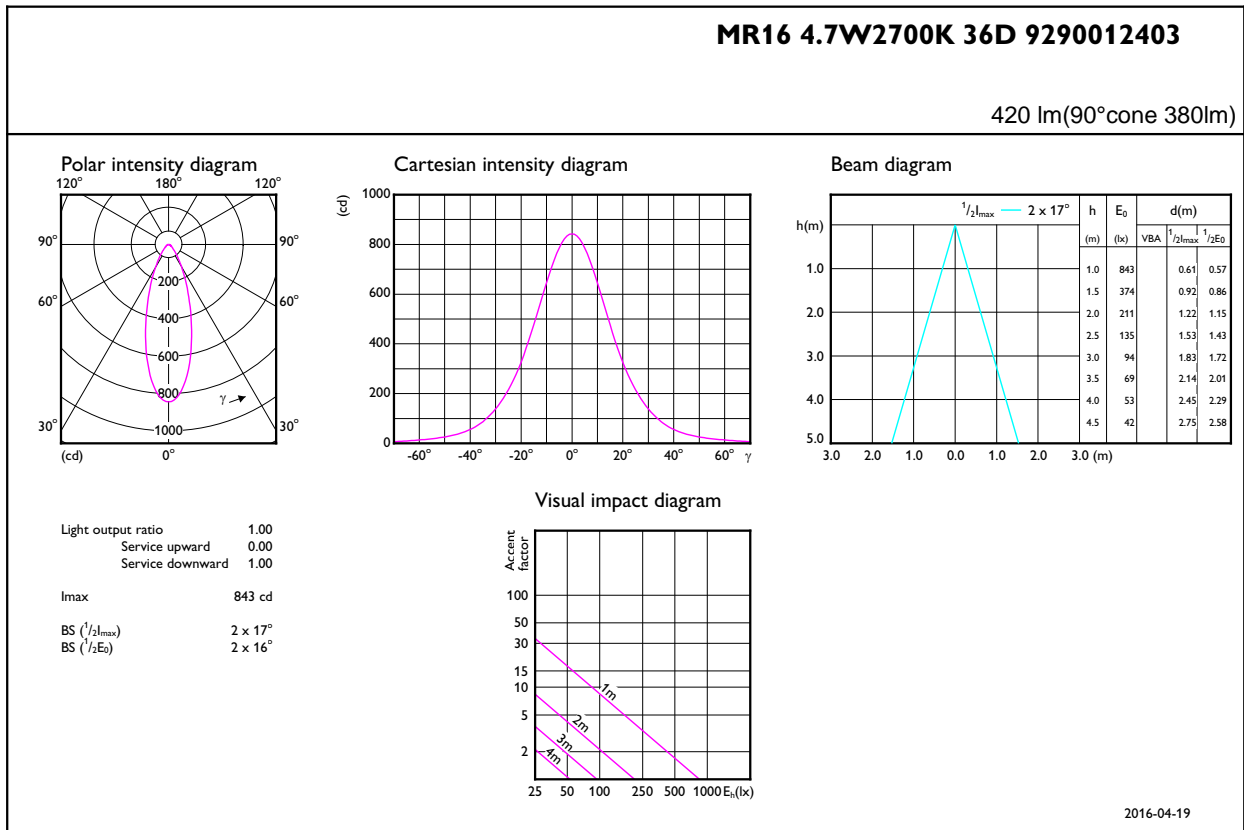


MR16 12V 5W-35W 380lm 36D 2700K GU5.3 ND

Product	D	C
CoreProLEDspotLV ND 4.7-35W 827 MR16 36D	50 mm	46 mm

Photometric data

Accent Lighting - Spots



## CorePro LEDspot LV

