



Features:

- Level VI
- Universal / Full range AC input
- Fixed AC mains lead (UK & EU)
- Class II power (no earth)
- Small & Compact design
- Built-in wall-mounting tabs
- Cost effective and high reliability



SPECIFICATION					
Part Number	T6259ST	T6260ST	T6261ST	T6263ST	T6262ST
Voltage	5Vdc	9Vdc	12Vdc	12Vdc	24Vdc
Current Max	2A	1.33A	1A	1A	0.5A
Current Min	0A	0A	0A	0A	0A
Power (Watts)	10W	12W	12W	12W	12W
Line Regulation	+/-5%	+/-1%	+/-5%	+/-5%	+/-1%
Voltage Tolerance	+/-5%	+/-5%	+/-5%	+/-5%	+/-5%
Ripple & Noise	100mV	150mV	150mV	150mV	240mV
Protections	Over Voltage: The output voltage shall be clamped by internal protection zener Short Circuit: Output shut down and auto restart Temperature: No ignition, smoke or deformation of the case				
Case Size	75 x 47.5 x 26.5	75 x 47.5 x 26.5	75 x 47.5 x 26.5	75 x 47.5 x 26.5	75 x 47.5 x 26.5
Weight (Approx.)	240g	240g	250g	250g	250g
DC Cord	1.5m	1.8m	1.8m	1.8m	1.8m
DC Plug	Straight 2.1 C+ve	Straight 2.1 C+ve	Straight 2.1 C+ve	Straight 2.1 C+ve	Straight 2.1 C+ve
Rated Input Voltage	100-240Vac	100-240Vac	100-240Vac	100-240Vac	100-240Vac
Full Input Voltage Range	90-264Vac	90-264Vac	90-264Vac	90-264Vac	90-264Vac
Rated Frequency	50-60Hz	50-60Hz	50-60Hz	50-60Hz	50-60Hz
Full Frequency Range	47-63Hz	47-63Hz	47-63Hz	47-63Hz	47-63Hz
Efficiency (Min)	73.36%	>77.7%	>77.7%	>77.7%	>77.7%
Input Current (RMS Max)	300mA	300mA	300mA	300mA	300mA
Inrush Current 115 Vac: 230 Vac:	30A Max 60A Max	30A Max 60A Max	30A Max 60A Max	30A Max 60A Max	30A Max 60A Max
Leakage Current	<0.25mA	<0.25mA	<0.25mA	<0.25mA	<0.25mA
Input Power (No Load)	<0.3W Max. (Level V ErP/EuP/CEC Compliant)				
AC Mains Lead	1.8 Metre UK Plug	1.8 Metre UK Plug	1.8 Metre UK Plug	1.8 Metre EURO Plug	1.8 Metre UK Plug
Range Model Designations	3A-124DA (specified individually on each product label)				
Hi-Pot Specification	3000Vac or 4242Vdc 10mA 1Min. (I.P. to O.P.)				
Insulation Resistance	500Vdc to test the I.P.-O.P resistance not less than 100Mohm (I.P. to O.P.)				
Operating Temperature	0C to 40C				
Storage Temperature	-10C to 70C				
Operating Humidity	20% to 80%				
Storage Humidity	10% to 90%				
Safety Approvals	GS & CE				
EMI Standards	FCC Class B, CE & VCCI				
PB Free	Yes. RoHS Compliant				
MTBF	50K Hours (mean time before failure)				

Stadium Stontronics Ltd

Chancerygate Business Centre, Cradock Road, Reading, Berkshire, RG2 0AH.

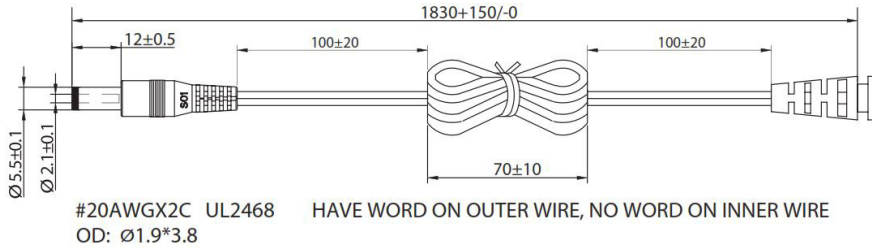
Tel: +44 (0) 118 931 1199 • Fax: +44 (0) 118 931 1145 • Email: Sales@stontronics.co.uk • Web: www.stontronics.com

Please Note: Image shown is representative of entire range. Individual PSU image &/or drawings or data sheets available on request.

Stontronics Ltd accepts no responsibility for typographical errors in the production of this leaflet. Product specifications are subject to change without notice.

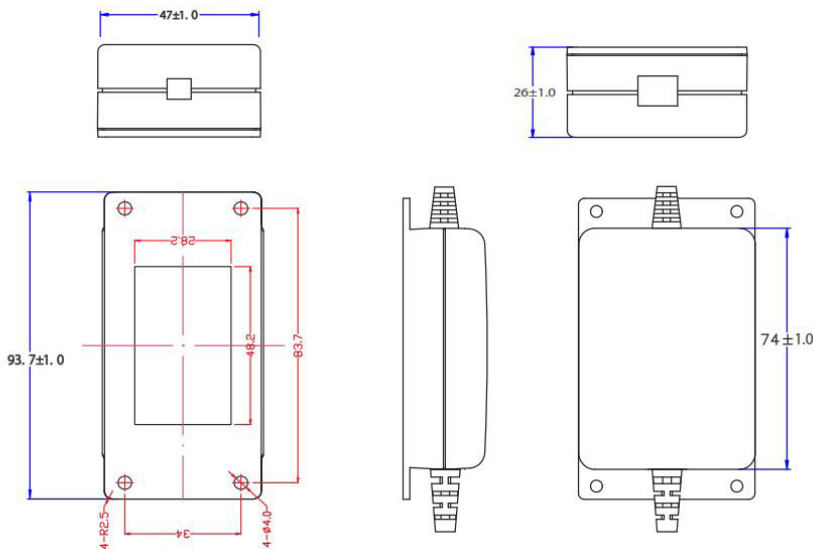


- 1.8M DC Lead:

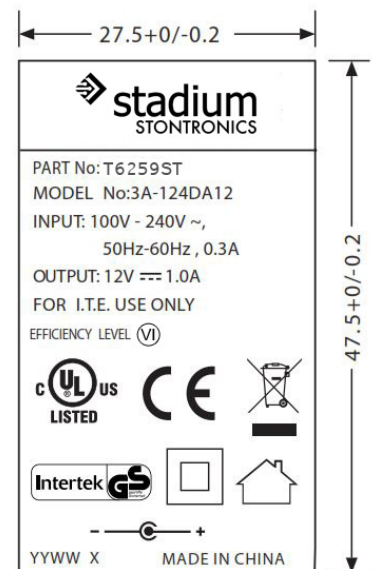


Case Drawing:

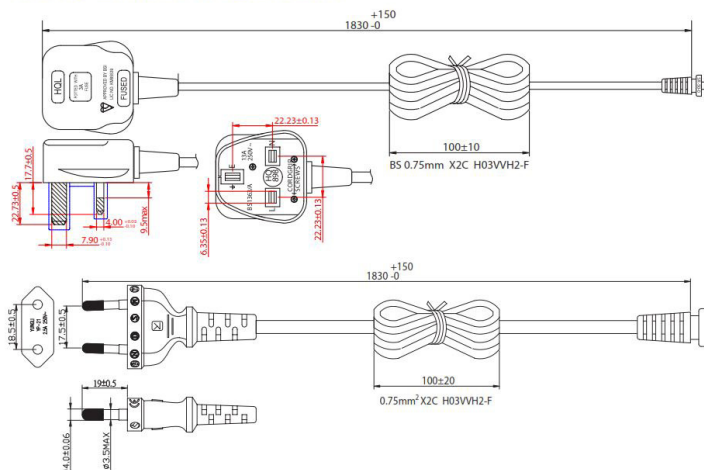
- 75 x 47.5 x 26.5 mm:



Example Label:



UK & Euro AC Leads:



Stadium Stontronics Ltd

Chancerygate Business Centre, Cradock Road, Reading, Berkshire, RG2 0AH.

Tel: +44 (0) 118 931 1199 • Fax: +44 (0) 118 931 1145 • Email: Sales@stontronics.co.uk • Web: www.stontronics.com

Please Note: Image shown is representative of entire range. Individual PSU image &/or drawings or data sheets available on request.

Stontronics Ltd accepts no responsibility for typographical errors in the production of this leaflet. Product specifications are subject to change without notice.

