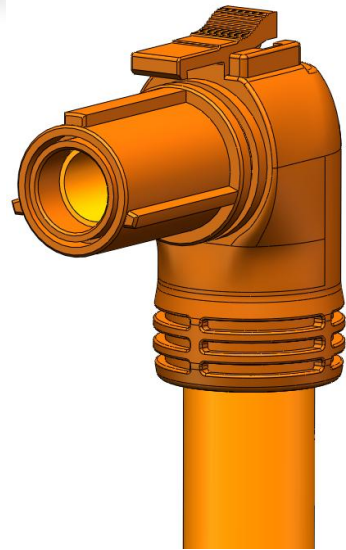
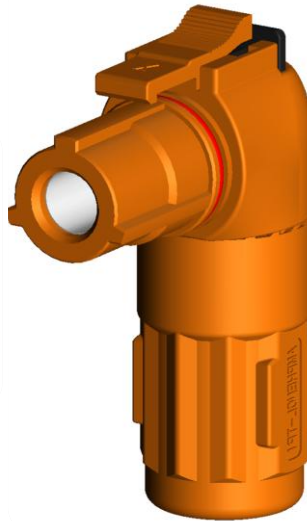
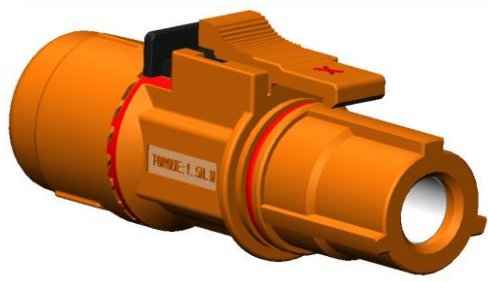


PowerLok-E



Current Rating	120A - 300A
Voltage Rating	1000V
Temperature Range	-40°C to +125°C (Including Temperature Rise)
Flammability	UL94 V-0
Mating Cycle	500 Min
Protection	IP67
Mutil Polarization	5 Keys

PowerLok-E Recommended Cable Size and Current Rating

Current Rating of Connector (A)	Accepted Cable Size (mm ²)	Current Rating of Cable (A)
120 Series	16	90
	25	120
200 Series	25	120
	35	150
	50	200
300 Series	35	150
	50	200
	70	250
	95	300

PowerLok-E Plastic 1POS Receptacle

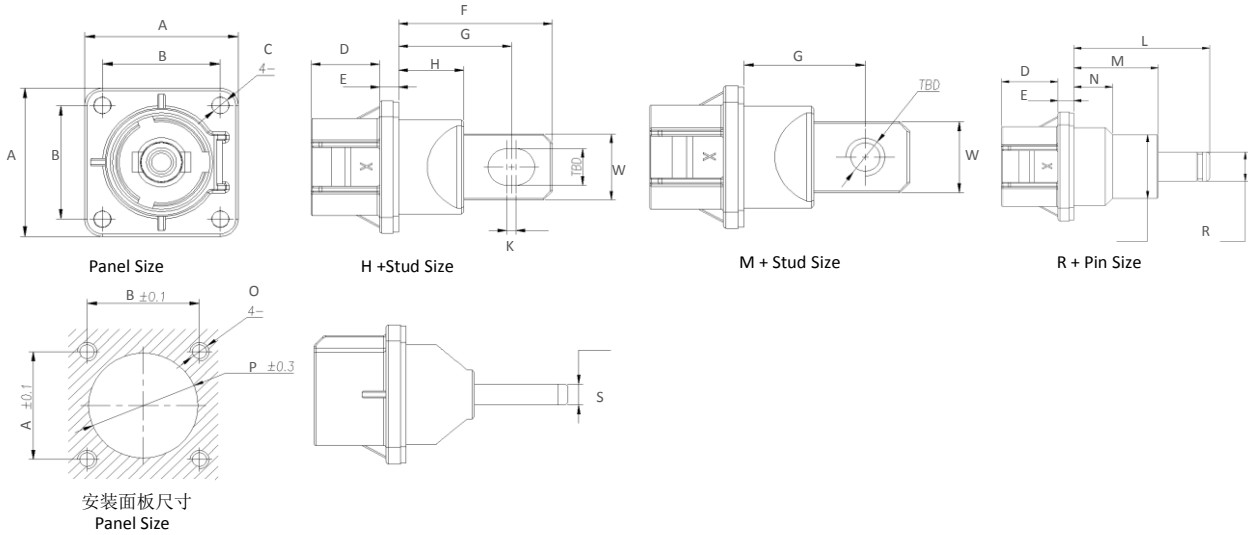


Pin - Busbar



Pin - Pin

PowerLok-E 1POS Receptacle Parameter



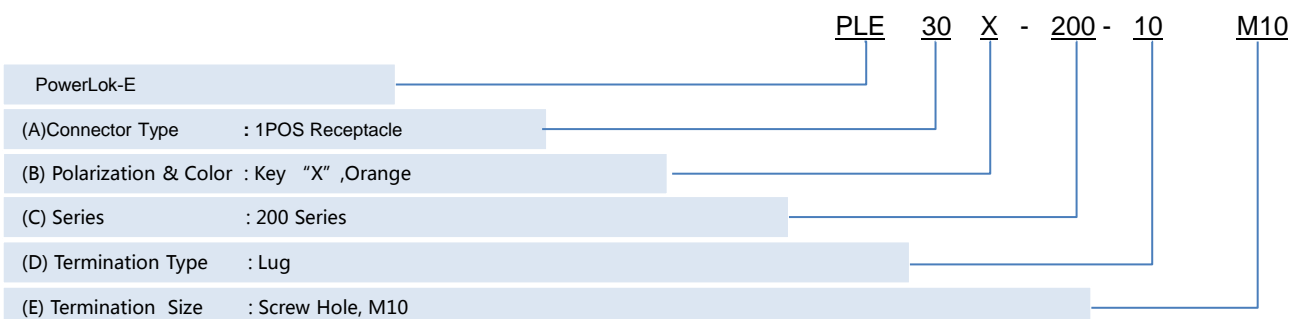
PowerLok-E Plastic 1POS Receptacle Parameter

Product Type	Series	PowerLok-E Size (mm)																	
		A	B	C	D	E	F	G	H	K	W	L	M	N	O	P	R	S	
PL	PowerLok-E	200	30	23	∅3.4	15	4.2	33.8	24.8	14.3	2	15	36.2	22.5	10.3	M3	∅22.4	∅8	4.5
		300	32	24	∅3.5	18.7	3.5	40.8	30.8	18.3	2	18.2	--	--	--	M3	∅26.2	--	5.5

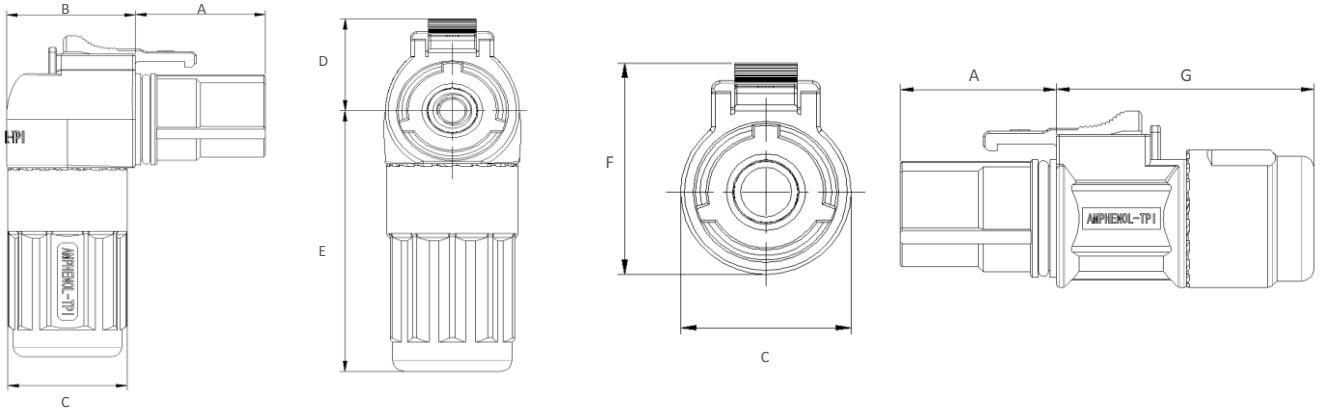
PowerLok-E Plastic 1POS Receptacle Ordering Information

Product Type	(A) Connector Type	(B) Polarization	(C) Series	(D) Termination Type	(E) Termination Size					
PL	PowerLok-E	30	1 POS Receptacle	X	Key "X" Orange	200	10	Lug	M + Stud Size	Screw Hole
				Y	Key "Y" Black	300	40	Pin	H + Stud Size	Slotted Hole
				U	Key "U" Yellow				R + Pin Size	Pin Size
				V	Key "V" Green					
				W	Key "W" Red					

Ordering example



PowerLok-E Plastic 1POS Assembly Plug



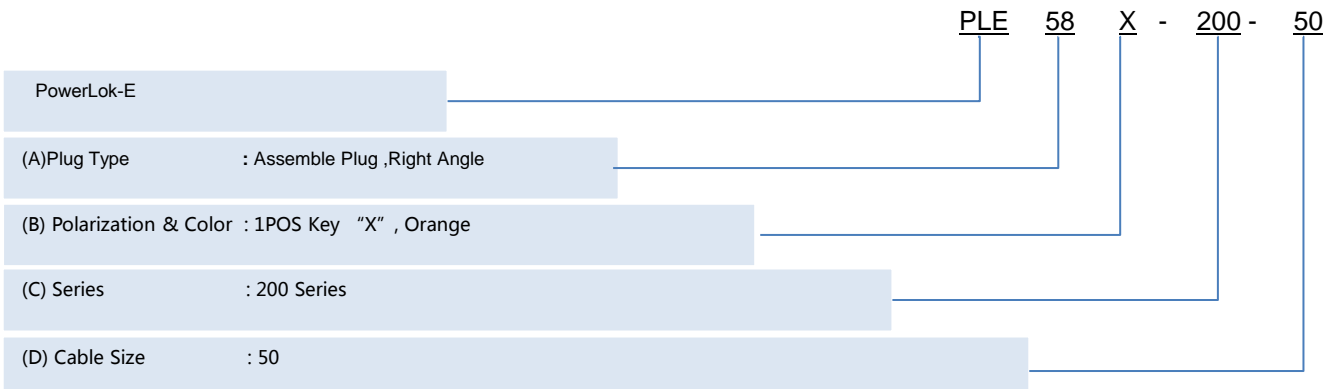
PowerLok-E Plastic 1POS Assembly Plug Parameter

Series	PowerLok-E 1POS Plug Connector Size						
	A(mm)	B(mm)	C(mm)	D(mm)REF	E(mm)	F(mm)REF	G(mm)
200	24.0	23.8	Ø22	17.2	49.0	28.2	39.7
300	30.8	25.75	Ø25	19.5	52.0	32.0	39.31

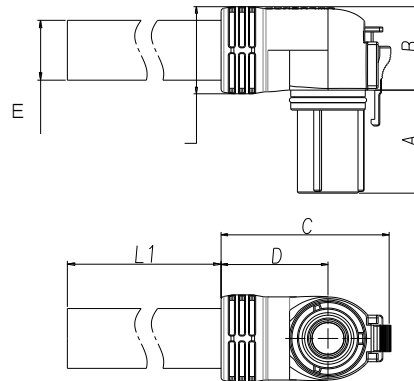
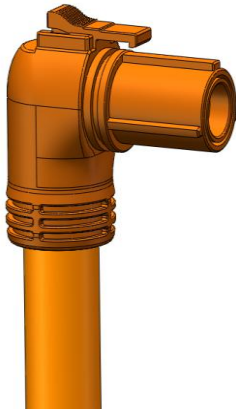
PowerLok-E Plastic 1POS Plug Ordering Information

Product Type		(A) Plug Type		(B) Polarization		(C) Series	(D) Cable Size
PL	PowerLok-E	48	Assembly ,Straight Angle	X	Key "X" Orange	200	Refer to "PowerLok-E" Recommended Cable Size & Current Rating" Chart
		58	Assembly ,Right Angle	Y	Key "Y" Black	300	
				U	Key "U" Yellow		
				V	Key "V" Green		
				W	Key "W" Red		

Ordering example



PowerLok-E Plastic 1POS-90D Overmolded Plug



PowerLok-E Plastic 1POS-90D Overmolded Plug Parameter

Series	PowerLok-E 1POS-90D Overmolded Plug Connector Size					
	A(mm)	B(mm)	C(mm)	D(mm)	E(Cable Size)	L1(Customer Define)
120	19.3	17.2	33.3	20.0	16~25mm ²	—
300	31.0	25.1	50.3	32.0	35~95mm ²	—

PowerLok-E Plastic 1POS-90D Overmolded Plug Ordering Information

Product Type		(A) Plug Type		(B) Polarization		(C) Series	(D) Cable Size
PL	PowerLok-E	50	Overmolded ,Right Angle	X	Key "X" Orange	120	Refer to "PowerLok-E" Recommended Cable Size & Current Rating" Chart
				Y	Key "Y" Black	300	
				U	Key "U" Yellow		
				V	Key "V" Green		
				W	Key "W" Red		

Ordering example

PowerLok-E	PLE	50	X	-	300	-	50
(A) Plug Type : Overmolded Plug ,Right Angle							
(B) Polarization & Color : 1POS Key "X" , Orange							
(C) Series : 300 Series							
(D) Cable Size : 50							

The information contained in this data sheet is for reference only.

Notice: Specifications are subject to change without notice . Contact your nearest Amphenol Corporation Sales Office for the latest specifications . All statements , information and data given herein are believed to be accurate and reliable but are presented without guarantee , warranty , or responsibility of any kind , expressed or implied . Statements of suggestions concerning possible use of our products are made without representation or warranty that any such use is free of patent infringement and are not recommendations to infringe any patent. The user should assume that all safety measures are indicated or that other measures may not be required. Specifications are typical and may not apply to all connectors . AMPHENOL is a registered trademark of Amphenol Corporation.

For further information on your individual application requirements, contact: Amphenol Corporation

Amphenol Technical Products
International Co.
2110 Notre Dame Avenue Winnipeg, MB
Canada R3H 0K1
Telephone: 1-204-697-2222
Fax: 1-204-694-6164
www.tpil.com

Amphenol Sincere Flex Circuits Co., Ltd.
No.A,WanAn Industrial Park LanHe Town, Nansha
District, Guangzhou - China 511480
Telephone: 020-3483-9801
Fax: 020-3483-9800
www.amphenol-gasf.com

Amphenol Industrial Operations
40-60 Delaware Street Sindny , New York
13838-1395 - USA
Telephone: 020-3483-9801
Fax: 020-3483-9800
www.amphenol-industrial.com