

PLEASE CHECK WWW.MOLEX.COM FOR LATEST PART INFORMATION

Part Number: [0522660211](#)
Status: **Active**
Overview: Mizu-P25™ Miniature Waterproof Connectors
Description: Mizu-P25™ 2.50mm Pitch Waterproof Wire-to-Wire Plug Housing, 2 Circuits

Documents:

3D Model	Application Specification AS-52213-001-JP-001 (PDF)
Drawing (PDF)	Packaging Specification PK-52266-001-001 (PDF)
Product Specification PS-52213-003-001 (PDF)	RoHS Certificate of Compliance (PDF)
Application Specification AS-52213-001-001 (PDF)	

Agency Certification

UL E29179

General

Product Family	Crimp Housings
Series	52266
Application	Signal, Wire-to-Wire
Application Tooling Part Link	57147-6000
Application Tooling Part Link	57170-6000
Application Tooling Part Link	62202-4400
Comments	See Product Specification for maximum current rating by wire A
MolexKits	Yes
Overview	Mizu-P25™ Miniature Waterproof Connectors
Product Name	Mizu-P25™ Waterproof, Splash Proof
UPC	800754378765

Physical

Circuits (maximum)	2
Color - Resin	Black
Flammability	94V-0
Gender	Male
Glow-Wire Compliant	No
Lock to Mating Part	Yes
Material - Resin	Polyester
Net Weight	852.700/mg
Number of Rows	1
Packaging Type	Tray
Panel Mount	No
Pitch - Mating Interface	2.50mm
Stackable	No
Temperature Range - Operating	-40°C to +105°C

Electrical

Current - Maximum per Contact 4.0A

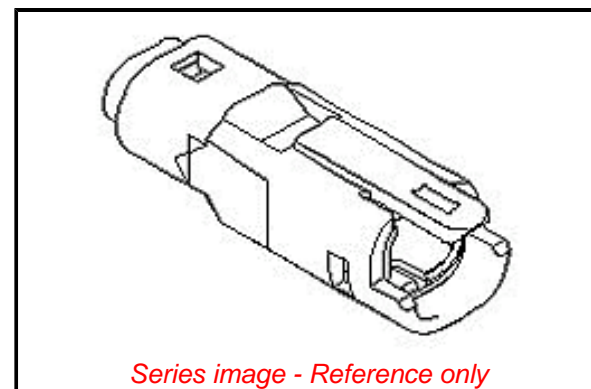
Solder Process Data

Lead-freeProcess Capability N/A

Material Info

Reference - Drawing Numbers

Application Specification	AS-52213-001-001, AS-52213-001-JP-001
Packaging Specification	PK-52266-001-001
Product Specification	PS-52213-003-001
Sales Drawing	SD-52266-003



Series image - Reference only

EU ELV

Compliant

EU RoHS

Compliant

REACH SVHC

Not Contained Per - ED/21/2016 (20 June 2016)

Halogen-Free

Status

Not Low-Halogen

Need more information on product environmental compliance?

Email productcompliance@molex.com
Please visit the [Contact Us](#) section for any non-product compliance questions.

China ROHS	Green Image
ELV	Compliant
RoHS Phthalates	Not Contained

Search Parts in this Series

[52266](#) Series

Mates With

[52213](#) Mizu-P25™ 2.50mm Pitch Waterproof Wire-to-Wire Receptacle Housing

Use With

[50147](#) Mizu-P25™ Crimp Terminal

This document was generated on 12/05/2016

PLEASE CHECK WWW.MOLEX.COM FOR LATEST PART INFORMATION