

**PLEASE CHECK WWW.MOLEX.COM FOR LATEST PART INFORMATION**

**Part Number:** [0734120504](#)  
**Status:** **Active**  
**Overview:** RF/Microwave Products  
**Description:** MCRF-to-MCRF, 1.32mm Cable Diameter, Length 162.00mm, 50 Ohms

**Documents:**

[Drawing \(PDF\)](#) [RoHS Certificate of Compliance \(PDF\)](#)

**General**

Product Family	Cable Assemblies
Series	73412
Assembly Configuration	Dual Ended Connectors
Connector to Connector	MCRF-to-MCRF
Overview	<a href="#">RF/Microwave Products</a>
Product Name	MCRF, RF
UPC	822348820078

**Physical**

Cable Length	162.00mm
Circuits (Loaded)	0
Gender	Plug/Plug
Material - Metal	Phosphor Bronze
Material - Plating Mating	Gold
Net Weight	0.790/g
Packaging Type	Bag
Single Ended	No
Wire/Cable Type	Coaxial

**Electrical**

Impedance	50Ω
-----------	-----

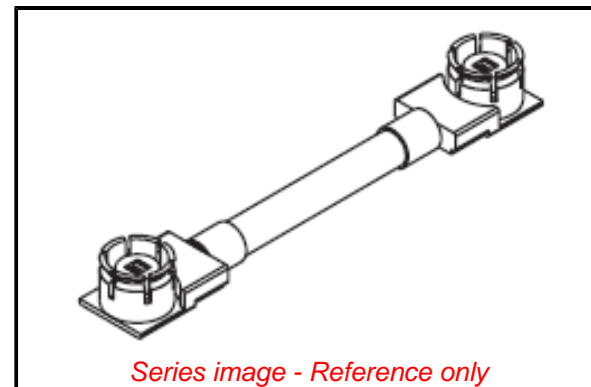
**Solder Process Data**

Lead-freeProcess Capability	N/A
-----------------------------	-----

**Material Info**

**Reference - Drawing Numbers**

Sales Drawing	SD-73118-025, SD-73412-050
---------------	----------------------------



*Series image - Reference only*

**EU ELV**

**Not Relevant**

**EU RoHS**

**Compliant**

**REACH SVHC**

Not Contained Per -  
ED/21/2016 (20 June  
2016)

**Halogen-Free**

**Status**

**Low-Halogen**

**Need more information on product  
environmental compliance?**

Email [productcompliance@molex.com](mailto:productcompliance@molex.com)  
Please visit the [Contact Us](#) section for any  
non-product compliance questions.

China ROHS

ELV

RoHS Phthalates

Green Image

Not Relevant

Not Contained

**Search Parts in this Series**

73412 Series