

PLEASE CHECK WWW.MOLEX.COM FOR LATEST PART INFORMATION

Part Number: [0192160011](#)
Status: **Active**
Description: Ultimate Wire Tap, Red, 18-22 AWG, 0.34 - .075mm2

Documents:

[3D Model](#) [Product Specification PS-19902-013-001 \(PDF\)](#)
[Drawing \(PDF\)](#) [RoHS Certificate of Compliance \(PDF\)](#)
[Product Specification PS-19902-011-001 \(PDF\)](#)

Agency Certification

CSA LR18689
 UL E79133

General

Product Family IDT and Solder Connectors
 Series [19216](#)
 Crimp Quality Equipment Yes
 MolexKits Yes
 Product Name Wire Tap
 UPC 800753022133

Physical

Circuits (Loaded) 1
 Circuits (maximum) 1
 Color - Resin Natural
 Durability (mating cycles max) 25
 Flammability 94V-2
 Gender N/A
 Glow-Wire Compliant No
 Lock to Mating Part None
 Material - Metal Phosphor Bronze
 Material - Plating Mating Tin
 Material - Resin Nylon
 Net Weight 1.130/g
 Number of Rows 0
 Packaging Type Bag
 Panel Mount No
 Pitch - Mating Interface N/A
 Pitch - Termination Interface N/A
 Polarized to Mating Part Yes
 Stackable No
 Temperature Range - Operating 105°C
 Wire Insulation Diameter N/A
 Wire Size AWG 18, 20, 22

Electrical

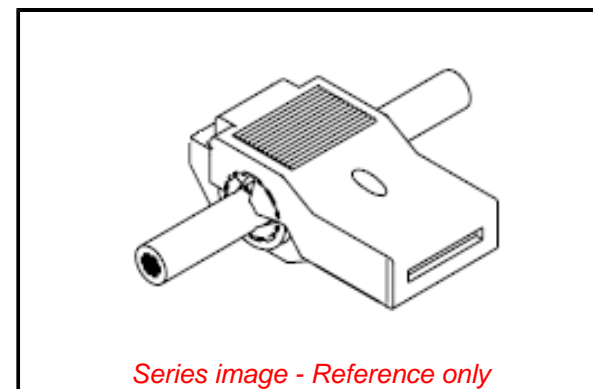
Voltage - Maximum 600V

Material Info

Engineering Number WT-2218

Reference - Drawing Numbers

Product Specification PS-19902-011-001, PS-19902-013-001
 Sales Drawing SD-19216-001, SD-19216-008-001



Series image - Reference only

EU ELV

Not Relevant

EU RoHS

Compliant

REACH SVHC

Not Contained Per -
 ED/21/2016 (20 June
 2016)

Halogen-Free

Status

Low-Halogen

**Need more information on product
 environmental compliance?**

Email productcompliance@molex.com
 Please visit the [Contact Us](#) section for any
 non-product compliance questions.

China ROHS

ELV

RoHS Phthalates

Green Image

Not Relevant

Not Contained

Search Parts in this Series

[19216 Series](#)

Mates With

Male Quick Disconnect

PLEASE CHECK WWW.MOLEX.COM FOR LATEST PART INFORMATION