

PLEASE CHECK WWW.MOLEX.COM FOR LATEST PART INFORMATION

Part Number: **0190020007**
Status: **Active**
Overview: Standard Quick-Disconnect Terminals
Description: Avikrimp™ Fully Insulated Quick Disconnect, Female, for 18-22 AWG Wire, Mylar Tape

Documents:

3D Model	Product Specification PS-19902-014-001 (PDF)
Drawing (PDF)	Product Specification PS-19902-015-001 (PDF)
Product Specification PS-19902-011-001 (PDF)	RoHS Certificate of Compliance (PDF)

Agency Certification

CSA	LR18689
UL	E79133

General

Product Family	Quick Disconnects
Series	<u>19002</u>
Crimp Quality Equipment	Yes
Insulated	Fully
Overview	<u>Standard Quick-Disconnect Terminals</u>
Product Name	Avikrimp™
Type	Quick Disconnect
UPC	800753026995

Physical

Barrel Type	Closed
Color - Resin	Red
Flammability	94V-2
Gender	Female
Glow-Wire Compliant	Yes
Insulation	Nylon (PA)
Lock to Mating Part	None
Material - Metal	Brass
Material - Plating Mating	Tin
Material - Plating Termination	Tin
Net Weight	0.984/g
Orientation	Straight
Packaging Type	Adhesive Tape on Reel
Polarized to Mating Part	No
Tab Thickness	0.51mm
Tab Width	4.75mm
Temperature Range - Operating	-65°C to +105°C
Wire Insulation Diameter	3.17mm max.
Wire Size AWG	18, 20, 22

Electrical

Voltage - Maximum	300V
-------------------	------

Solder Process Data

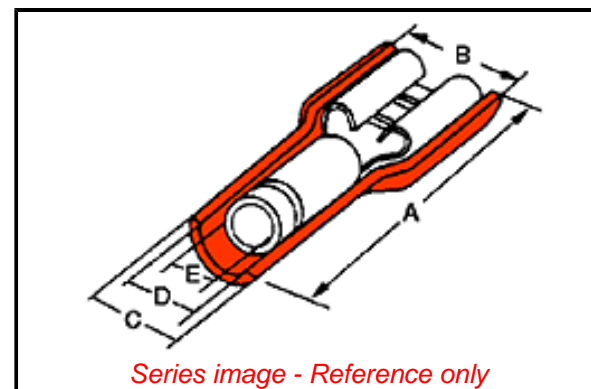
Lead-free Process Capability	N/A
------------------------------	-----

Material Info

Engineering Number	AA-5267T
--------------------	----------

Reference - Drawing Numbers

Product Specification	PS-19902-011-001, PS-19902-014-001, PS-19902-015-001
Sales Drawing	SD-19002-003



Series image - Reference only

EU ELV

Not Relevant

EU RoHS

Compliant

REACH SVHC

Contained Per -
ED/21/2016 (20 June
2016)
2,4-Di-tert-butyl-6-(5-
chlorobenzotriazol-2-
yl)p

Halogen-Free

Status

Low-Halogen

Need more information on product environmental compliance?

Email productcompliance@molex.com
Please visit the [Contact Us](#) section for any non-product compliance questions.

China ROHS	Green Image
ELV	Not Relevant
RoHS Phthalates	Not Contained

Search Parts in this Series

19002 Series

Use With

19001-0003 , 19001-0005

Application Tooling | FAQ

Tooling specifications and manuals are found by selecting the products below. Crimp Height Specifications are then contained in the Application Tooling Specification document.

Global

Description	Product #
ATP Crimp Dies for the Tape Crimp	<u>0192880028</u>

Module and ATP-101
& 301 Press
Mini-Mac™ 0638852000
Applicator

This document was generated on 11/16/2016

PLEASE CHECK WWW.MOLEX.COM FOR LATEST PART INFORMATION