

PLEASE CHECK WWW.MOLEX.COM FOR LATEST PART INFORMATION

Part Number: [0539275019](#)
Status: **Active**
Overview: [CompactFlash™](#)
Description: 1.27mm Pitch CF Card Header - Right Angle, Surface Mount Reverse Mounting For Type I Cards, Tray Packaging

Documents:

[3D Model](#) [Product Specification PS-55022-004-001 \(PDF\)](#)
[Drawing \(PDF\)](#) [RoHS Certificate of Compliance \(PDF\)](#)

General

Product Family Memory Card Sockets
 Series [53927](#)
 Overview [CompactFlash™](#)
 Product Name CompactFlash
 Style Guide and Holder
 UPC 822348186747

Physical

Card Detection Switch N/A
 Card Entry Location Front
 Circuits (Loaded) 50
 Color - Resin Natural
 Durability (mating cycles max) 10000
 Ejector Button Side N/A
 Material - Contact Copper Alloy
 Material - Plating Mating Gold over Palladium Nickel
 Material - Resin High Temperature Thermoplastic
 Net Weight 3292.000/mg
 PCB Retention Yes
 Packaging Type Tray
 Pitch - Mating Interface 1.27mm
 Temperature Range - Operating -20°C to +90°C
 Termination Interface: Style Surface Mount

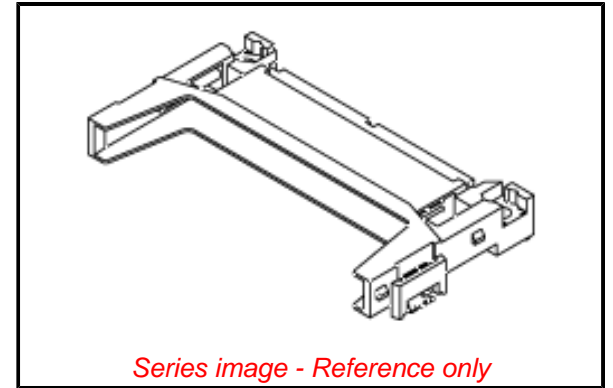
Electrical

Current - Maximum per Contact 0.5A
 Voltage - Maximum 100V AC (RMS)
 Voltage Key 3.3V, 5.0V

Material Info

Reference - Drawing Numbers

Product Specification PS-55022-004-001
 Sales Drawing SD-53927-001



EU ELV

Not Relevant

EU RoHS

Compliant

REACH SVHC

Not Contained Per -
 ED/21/2016 (20 June
 2016)

Halogen-Free

Status

Low-Halogen

Need more information on product environmental compliance?

Email productcompliance@molex.com
 Please visit the [Contact Us](#) section for any non-product compliance questions.

China ROHS	Green Image
ELV	Not Relevant
RoHS Phthalates	Not Contained

Search Parts in this Series

[53927](#) Series

Mates With

[67003](#) , [67114](#) , Industry Standard CF Card

Use With

[55021](#) , [55022](#)