

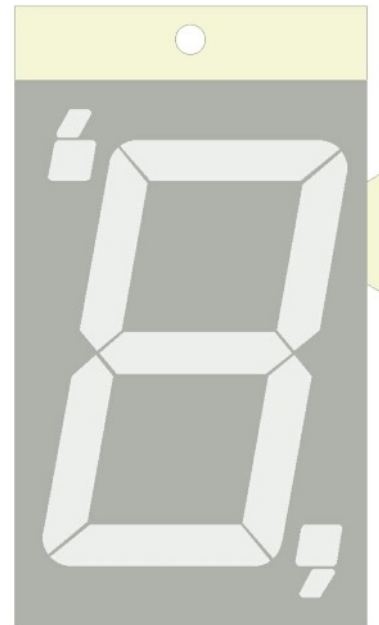
FEM-180XX0BGWT1 Range

1.80" (46 mm) Polarised Interlocking 7 Segment Display



Features:

- Innovative interlocking design to create multi-digit displays from single modules
- High performance output
- Range of colours
- Wide viewing angle
- Grey face colour, white segment colour
- Simple connectivity using 2.54mm pitch 10-way Wire-to-Board connector
- Ideal for use in applications such as gaming machines and instrumentation displays



Contents:

- Electro / Optical Characteristics - Page 2
- Maximum Rated Values - Page 2
- Package Outline and Diagrams - Page 3

FEM-180XX0BGWT1 Range

1.80" (46 mm) Polarised Interlocking 7 Segment Display



Electro / Optical Characteristics $I_F = 20\text{mA}$, $T_a = 25^\circ\text{C}$

Part Number		Emitting Colour	Wavelength		Forward Voltage		Luminous Intensity, I_v	
Common Cathode	Common Anode		Peak	Dom	Typ	Max	Min	Typ
FEM-1801R340BGWT1 ♦	FEM-1802R340BGWT1	Red	~	640	5.70	6.90	~	177
FEM-180120BGWT1	FEM-180220BGWT1	Green	568	~	6.30	7.50	~	50
FEM-1801B350BGWT1 ♦	FEM-1802B350BGWT1	Blue	~	460	9.90	11.10	~	88
FEM-1801Y0530BGWT1	FEM-1802Y0530BGWT1	Yellow	591	~	6.15	7.20	~	168
Units			nm		V		mcd / seg	

♦ Available from Farnell/element14

Maximum Rated Values $T_a = 25^\circ\text{C}$ (Derate Above 25°C)

Characteristic	Condition	Symbol	Rating	Units
Pulse Forward Current	0.1 duty cycle @ 1kHz	I_{FP}	100	mA
DC Forward Current		I_F	25	mA
Reverse Voltage	$I_R = 10\mu\text{A}$	V_R	5	V
Operating Temperature		T_{opr}	-25 to +80	$^\circ\text{C}$
Storage Temperature		T_{stg}	-30 to +85	$^\circ\text{C}$
Lead Soldering Temperature	1.6mm from body - max 3 seconds		260	$^\circ\text{C}$

Note

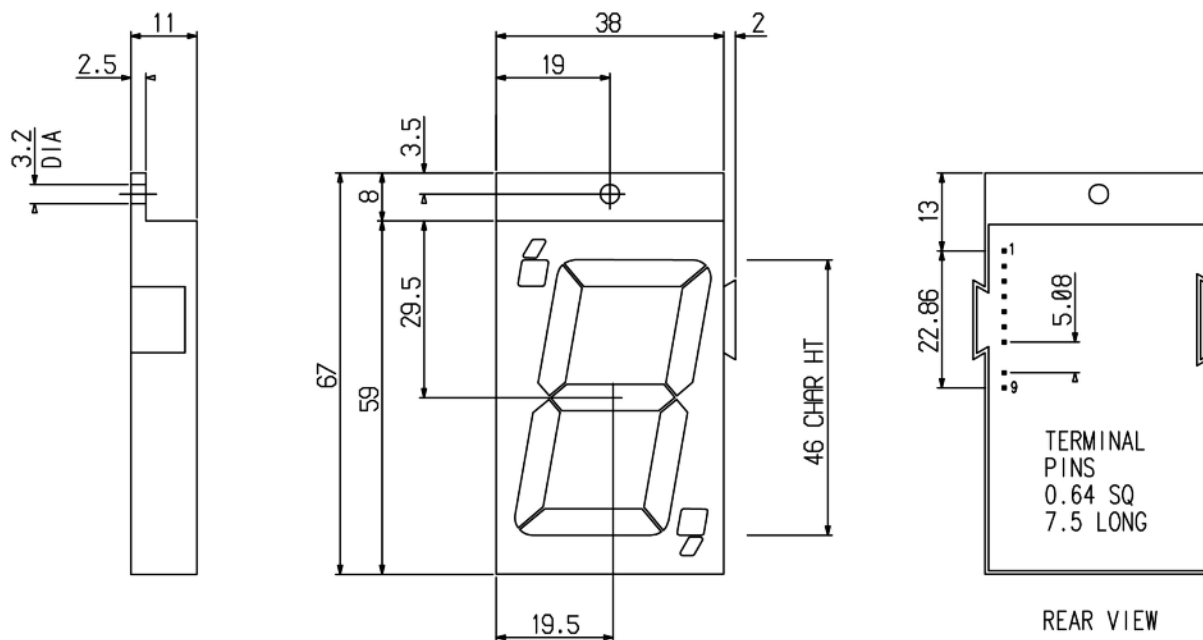
Industry standard procedures regarding static must be observed when handling product produced with blue die material.

FEM-180XX0BGWT1 Range

1.80" (46 mm) Polarised Interlocking 7 Segment Display



Package Outline and Diagrams

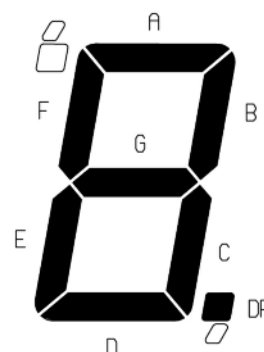
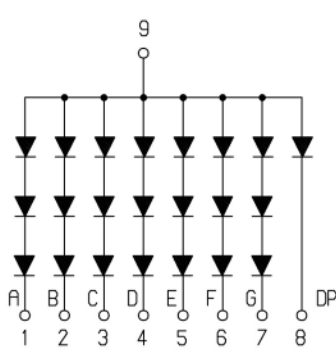
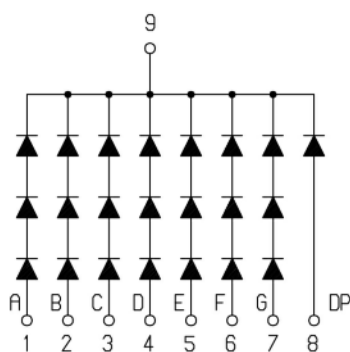


Tolerance ± 0.25 mm unless stated

Common Cathode

Common Anode

Segment Layout



Disclaimer

No representation, warranty, responsibility or liability is or will be accepted by Forge Europa Limited in relation to the accuracy or completeness of any information it provides. It is the responsibility of the customer to verify the suitability of the product for its application. All design work supplied by Forge Europa Limited is to be assumed confidential and is the sole property of Forge Europa Limited. It must not be used, copied or disclosed to any third party without the prior written consent of Forge Europa Limited. All contracts are subject to Forge Europa Limited's General Terms and Conditions of Trading which can be found at www.forge-europa.co.uk