

**PLEASE CHECK WWW.MOLEX.COM FOR LATEST PART INFORMATION**

**Part Number:** [0714362864](#)  
**Status:** **Active**  
**Overview:** PMC Mezzanine Connectors  
**Description:** 1.00mm Pitch Mezzanine IEEE 1386 Plug, Surface Mount, Dual Row, Vertical Stacking, 64 Circuits, 8.35mm Unmated Height, without PCB Locator Pegs, with Robotic Placement Metal Cap, 0.76µm Gold (Au) Selective Plating, Embossed Tape on Reel

**Documents:**

[3D Model](#) [Packaging Specification PK-70873-063 \(PDF\)](#)  
[Drawing \(PDF\)](#) [RoHS Certificate of Compliance \(PDF\)](#)  
[Product Specification PS-71436-9999-001 \(PDF\)](#)

**Agency Certification**

CSA LR19980  
 UL E29179

**General**

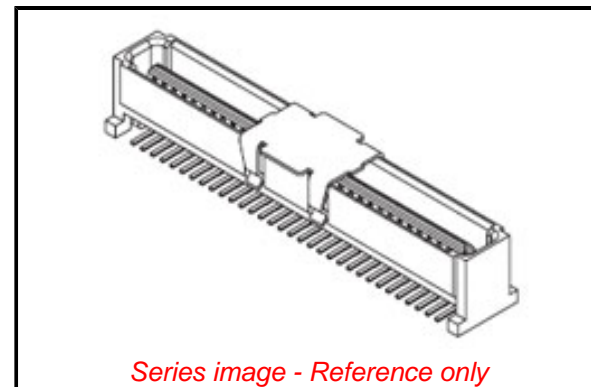
Product Family PCB Headers  
 Series [71436](#)  
 Application Board-to-Board, Signal  
 Overview [PMC Mezzanine Connectors](#)  
 Product Name PMC Mezzanine  
 UPC 800754317368

**Physical**

Breakaway No  
 Circuits (Loaded) 64  
 Circuits (maximum) 64  
 Color - Resin Natural  
 Flammability 94V-0  
 Glow-Wire Compliant No  
 Lock to Mating Part None  
 Mated Height 10.00mm, 12.00mm, 13.00mm, 15.00mm  
 Material - Metal Phosphor Bronze  
 Material - Plating Mating Gold  
 Material - Plating Termination Tin  
 Material - Resin High Temperature Thermoplastic  
 Net Weight 1.398/g  
 Number of Rows 2  
 Orientation Vertical  
 PCB Locator No  
 PCB Retention None  
 PCB Thickness - Recommended 1.00mm  
 Packaging Type Embossed Tape on Reel  
 Pitch - Mating Interface 1.00mm  
 Plating min - Mating 0.762µm  
 Plating min - Termination 1.905µm  
 Polarized to Mating Part No  
 Shrouded Fully  
 Stackable No  
 Temperature Range - Operating -55°C to +85°C  
 Termination Interface: Style Surface Mount

**Electrical**

Current - Maximum per Contact 1.0A  
 Voltage - Maximum 100V



*Series image - Reference only*

**EU ELV**

**Not Relevant**

**EU RoHS**

**Compliant**

**REACH SVHC**

Not Contained Per -  
 ED/21/2016 (20 June  
 2016)

**Halogen-Free**

**Status**

**Low-Halogen**

**Need more information on product environmental compliance?**

Email [productcompliance@molex.com](mailto:productcompliance@molex.com)  
 Please visit the [Contact Us](#) section for any non-product compliance questions.

China ROHS	Green Image
ELV	Not Relevant
RoHS Phthalates	Not Contained

**Search Parts in this Series**

[71436 Series](#)

**Mates With**

[71439](#) 1.00mm Pitch Mezzanine IEEE 1386 Receptacle. Be sure to match like stack heights

**Solder Process Data**

Duration at Max. Process Temperature (seconds)	040
Lead-free Process Capability	REFLOW
Max. Cycles at Max. Process Temperature	003
Process Temperature max. C	260

**Material Info****Reference - Drawing Numbers**

Packaging Specification	PK-70873-063
Product Specification	PS-71436-9999-001
Sales Drawing	SDA-71436-2***

This document was generated on 11/28/2016

**PLEASE CHECK [WWW.MOLEX.COM](http://WWW.MOLEX.COM) FOR LATEST PART INFORMATION**