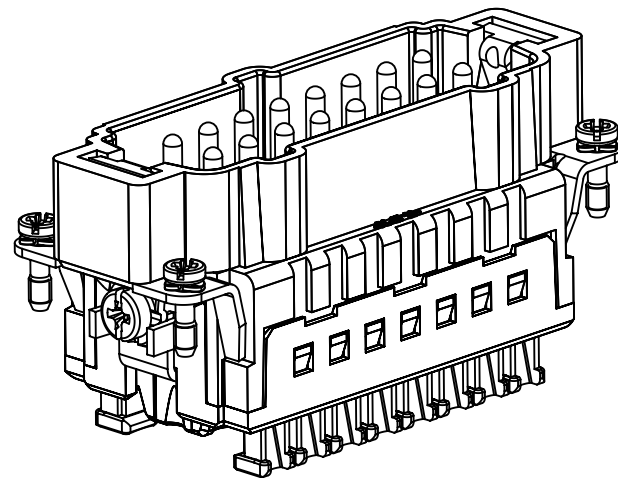
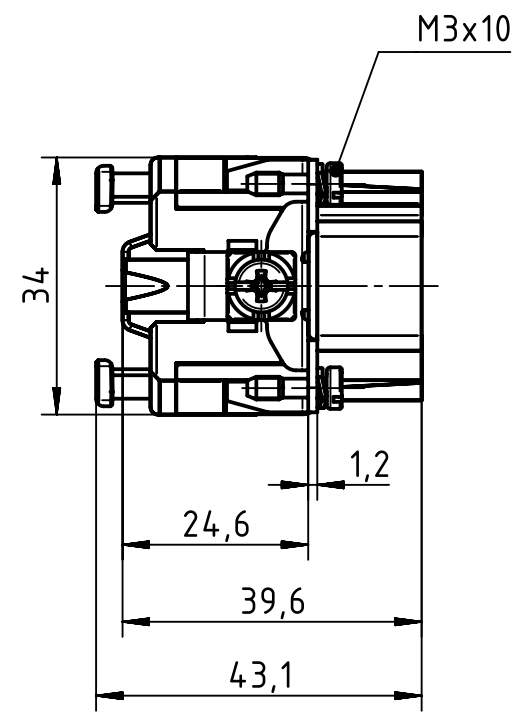
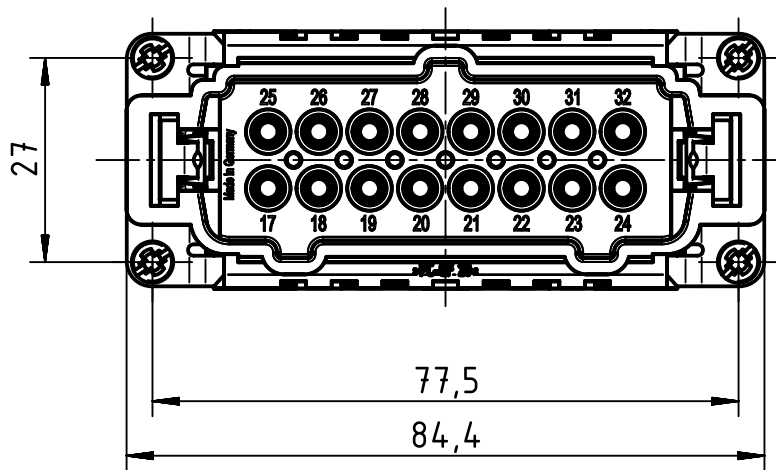
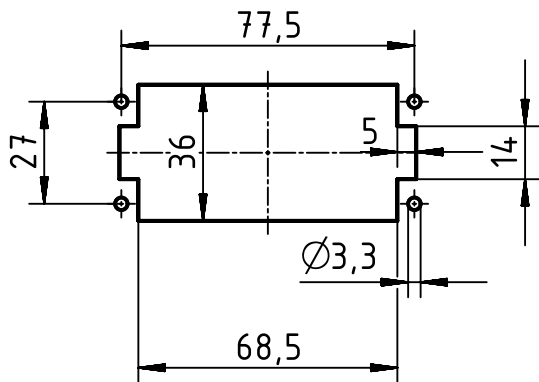


panel cut out 1:2



	All rights reserved Department EL PD - DE HARTING Electric GmbH & Co. KG D-32339 Espelkamp	All Dimensions in mm Original Size DIN A4		Scale 1:1	Free size tol.	Ref. Sub.
		Created by ILJIN	Inspected by RUETERA	Standardisation TIEMANNA	Date 2016-08-18	State Final Release
Title Han 16ES Press-M (17-32)						Doc-Key / ECM-Nr. 100680807/UGD/001/B 500000107832
Type TB				Number 09 33 016 2688		Rev. B
						Page 1/1