



CATALOGUE

Circular Connector

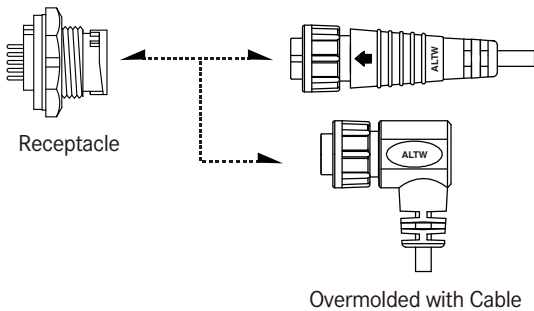




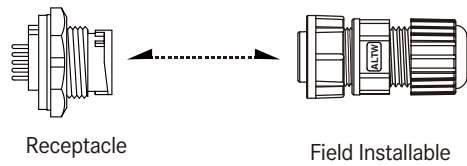


Range Overview

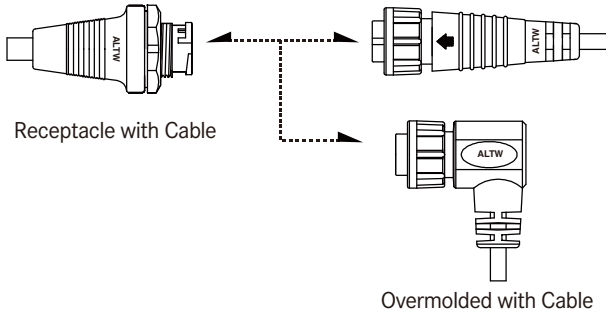
Receptacle To Overmolded with Cable



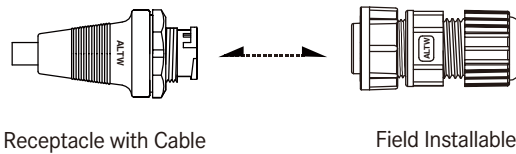
Receptacle To Field Installable



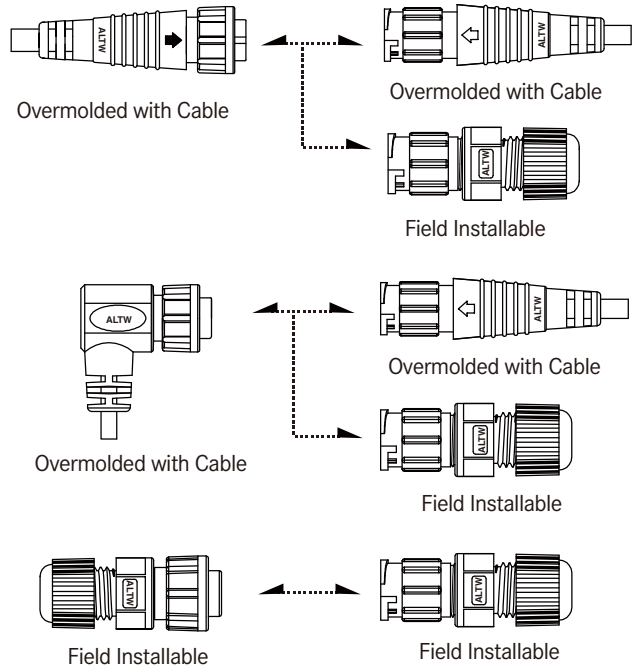
Receptacle with Cable to Overmolded with Cable



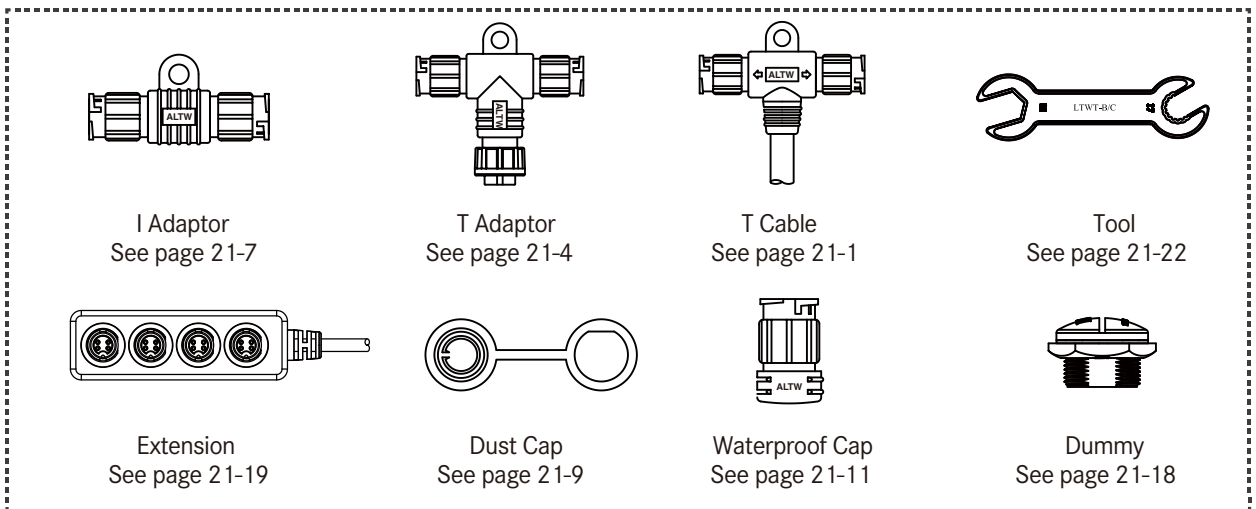
Receptacle with Cable to Field Installable



In Line



Accessories



【Note】 Design and specification are subject to change without notice.

Specification

| | |
|------------------------------|---|
| Identifications | A Size (Mini Size: 7/16"-28 UNS) B Size (Standard Size: 5/8"-27 UNS) C Size (Middle Size: 13/16"-28 UNS) D Size (Large Size: 1"-20 UNEF) E Size (Macro Size: 1 3/16" -20 UNS) |
| Description | Receptacle Receptacle with cable Overmolded with Cable Field Installable |
| Current Rating / Data | 2A, 5A, 10A, 20A, 5A+2A, 10A+2A, 10A+5A, 20A+2A, 20A+5A |
| Material | Contacts: Copper Alloy, Gold Plated Connector Body (Housing) : Nylon+GF, UL Recognized |
| Waterproof Rating | IP66~68 |
| Temperature Range | Receptacle: -40°C~105°C Receptacle with cable: -20°C~80°C Overmolded with Cable: -20°C~80°C Field installable: -40°C~105°C |
| Contact Resistance | ≤ 10mΩ |
| Insulation Resistance | ≥ 100MΩ at DC500V |
| Durability | 1000 cycles |
| Breakdown Voltage | ≥ AC1000V / 1 minute |
| More to know | Salt Spray Corrosion Test: 48H Standard Cable Length: 01~99M |

Ordering Information

1 - 2 3 4 5 6 - 7 8 9 10

Specification / Current Rating

| | | |
|---|--|--|
| <u>>Mini Size</u> (AU) 2A (AD) 5A | <u>>Middle Size</u> (CU) 2A (CD) 5A (CB) 10A (CC) 20A (CDU) 5A+2A (CBU) 10A+2A (CBD) 10A+5A (CGU) 16A+2A* | <u>>Macro Size</u> (ED) 5A <u>>Others</u> (GBD) 10A+5A (Between Standard Size & Middle Size) (MAB) 10A (Equivalent to AMP) (PLD) 5A (Size 12) |
| <u>>Mini Size Metal</u> (ASU) 2A (ASD) 5A | <u>>Large Size</u> (DU) 2A (DD) 5A (DC) 20A (DCU) 20A+2A (DCD) 20A+5A (DCB) 20A+10A* | |
| <u>>Standard Size</u> (BU) 2A (BD) 5A (BB) 10A (BDU) 5A+2A (BBD) 10A+5A | <u>>Large Size Metal</u> (DSD) 5A | |
| <u>>Standard Size Metal</u> (BSU) 2A (BSD) 5A (BSB) 10A | | * Coming soon |

Number of Contacts

02, 03.....
EX. (02) = 2 Contacts

Connector Body (Style)

| | | |
|---|--|--|
| <u>> For Receptacle</u> (P) Front Fastened (R) Rear Fastened | <u>> For Overmolded with Cable</u> (A) With Strain Relief (B) Without Strain Relief | <u>> For Field installable</u> (B) Without Strain Relief |
|---|--|--|

Connector (Housing) Gender

(M) Male Connector (F) Female Connector

Contact Gender

(M) Male (D) Female (Power) + Male (Signal)
(F) Female (E) Male (Power) + Female (Signal)

Assemble Style

| | |
|---|--|
| <u>> For Receptacle</u> (S) Solder Type (B) Screw in Type (P) 180° PCB Type (R) 90° PCB Type | <u>> For Overmolded with Cable</u> (M) Overmolded with Cable <u>> For Field Installable</u> (A) Field installable (Solder) (B) Screw in Type |
|---|--|

Mating Style

(L) 2 Points Lock Bayonet (T) 3 Points Lock Bayonet
(S) Screw Thread (Q) Push Lock

Backshell

| | | |
|--|--|---|
| <u>> For Receptacle</u> (C) Circular (S) Square | <u>> For Overmolded with Cable</u> (L) Straight (R) Right Angle | <u>> For Field Installable</u> (L) Straight |
|--|--|---|

Waterproof Rating

(6) IP 66
(7) IP 67
(8) IP 68

More Information

(C00) Similar Standard with TC-ER Cable
> For Overmolded with Cable
(□)+(■) : Cable Type + Cable Length
EX. (A01) = UL2464 Cable + 1M

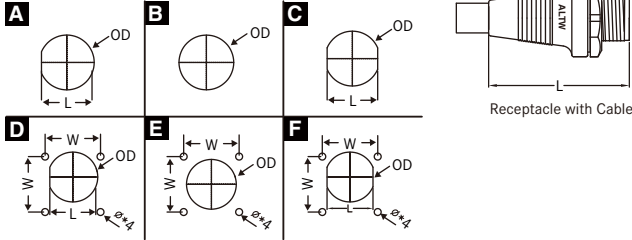
> For Receptacle
(001), (002).....
Without Cable : Different Versions

| | |
|--|---|
| (□) : Cable Type (A) UL2464 Cable (B) UL2586 Cable (C) Power Cable(TC-ER) | (■) : Cable Length From 1M to 99M EX. (01) = 1M |
|--|---|

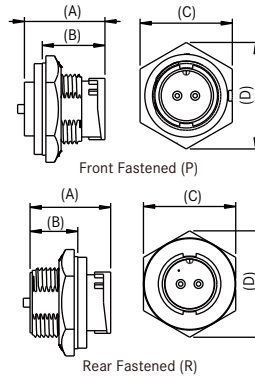
【Note】 Design and specification are subject to change without notice.

Physical Dimension

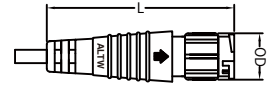
Receptacle Panel Cut-Out



Connector Dimension



Overmolded with Cable



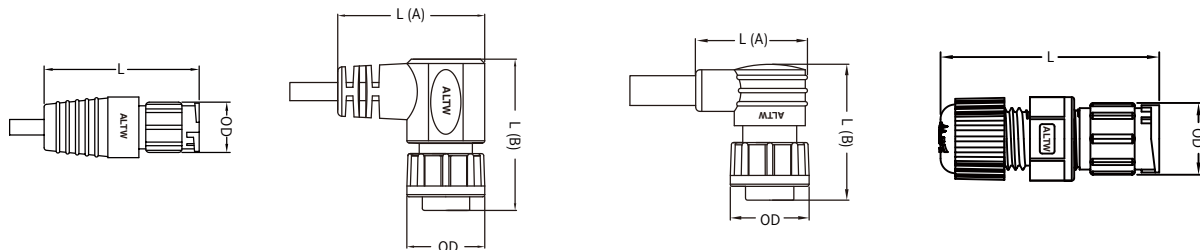
with Strain Relief / Straight

| Current Rating | | Dimension | | Type | L / W | OD | φ | L (Connector Body) |
|----------------|-------------|------------------|------|-------------|-------|------|------|--------------------|
| Size | Metal | Connector Gender | Male | | | | | |
| Mini Size | - | 2A(AU) | A | 10.4 | 10.9 | - | - | 40.5 |
| | - | 2A(ASU) | D | 10.4 / 12.7 | 10.9 | 3.05 | - | - |
| | Metal | 2A(ASU) | D | 10.4 / 12.7 | 10.9 | 3.05 | - | - |
| | - | 5A(AD) | A | 10.4 | 10.9 | - | - | 40.5 |
| - | Metal | 5A(ASD) | D | 10.4 / 12.7 | 10.9 | 3.05 | - | - |
| Standard Size | - | 2A(BU) | A | 14.8 | 15.6 | - | - | 42.6 |
| | Metal | 2A(BSU) | B | - | 15.6 | - | - | - |
| | | | C | 14.0 | 16.0 | - | - | |
| | - | 5A(BD) | A | 14.8 | 15.6 | - | - | 42.6 |
| | Metal | 5A(BSD) | B | - | 15.6 | - | - | - |
| | | | E | 16.0 | 15.6 | 3.1 | - | |
| | - | 5A+2A(BDU) | A | 14.8 | 15.6 | - | - | 42.6 |
| | - | 10A(BB) | A | 14.8 | 15.6 | - | - | 42.6 |
| | Metal | 10A(BSB) | C | 14.1 | 15.6 | - | - | - |
| | | | A | 14.8 | 15.6 | - | - | 42.6 |
| - | 10A+5A(BBD) | A | 14.8 | 15.6 | - | - | 42.6 | |
| Middle Size | - | 2A(CU) | A | 19.4 | 20.8 | - | - | - |
| | - | 5A(CD) | A | 19.4 | 20.8 | - | - | 47.0 |
| | - | 5A+2A(CDU) | A | 19.4 | 20.8 | - | - | - |
| | - | 10A(CB) | A | 19.4 | 20.8 | - | - | 47.0 |
| | - | 10A+2A(CBU) | A | 19.4 | 20.8 | - | - | - |
| | - | 10A+5A(CBD) | A | 19.4 | 20.8 | - | - | 59.5 |
| | - | 20A(CC) | A | 19.4 | 20.8 | - | - | 47.0 |
| Large Size | - | 2A(DU) | A | 23.6 | 25.6 | - | - | - |
| | - | 5A(DD) | A | 23.6 | 25.6 | - | - | - |
| | Metal | 5A(DD) | D | 23.6 / 24.4 | 25.6 | 3.1 | - | - |
| | | | E | 24.8 / 24.5 | 24.8 | 3.1 | - | |
| | | | F | 23.2 / 24.5 | 25.6 | 3.1 | - | |
| | - | 20A(DC) | A | 23.6 | 25.6 | - | - | - |
| | - | 20A(DC) | D | 23.6 / 24.4 | 25.6 | 3.1 | - | - |
| | - | 20A+2A(DCU) | A | 23.6 | 25.6 | - | - | - |
| - | 20A+5A(DCD) | A | 23.6 | 25.6 | - | - | - | |
| Macro Size | - | 5A(ED) | D | 29.0 / 30.1 | 30.1 | 3.5 | - | - |
| Others | - | 10+5A(GBD) | - | - | - | - | - | - |
| | - | 10A(MAB) | - | - | - | - | - | - |
| | - | 5A(PLD) | C | 11.3 | 12.8 | - | - | - |

| A | B | C | D | Panel Thickness Max | |
|--------------------|---------------------|--------------------|--------------------|---------------------|------------------|
| | | | | Lock Type | Screw Type |
| P: 18.4 R: 18.0 | P: 14.0 R: 10.8 | 15.7 | 18.1 | P: 3.5 R: 5.0 | P: 5.0 R: 5.0 |
| 18.6 | 14.0 | 15.7 | 18.1 | P: 3.5 | - |
| P: 18.4 R: 18.0 | P: 14.0 R: 10.8 | 15.7 | 18.1 | P: 3.5 R: 5.0 | P: 5.0 R: 5.0 |
| 18.6 | 14.0 | 15.7 | 18.1 | P: 3.5 | - |
| P: 18.0 R: 18.0 | P: 14.0 R: 10.65 | 20.6 | 23.5 | P: 4.5 R: 5.0 | P: 4.0 R: 5.0 |
| P: 18.8 R: 19.8 | P: 16.3 R: 11.3 | 22.0 | 25.4 | - | P: 5.0 R: 7.0 |
| P: 18.0 R: 18.0 | P: 14.0 R: 10.65 | 20.6 | 25.4 | P: 4.5 R: 5.0 | P: 4.0 R: 5.0 |
| P: 18.0 R: 19.8 | P: 14.0 R: 11.3 | P: 21.0 R: 22.0 | P: 23.9 R: 25.4 | - | P: 4.4 R: 7.0 |
| P: 18.0 R: 18.0 | P: 14.0 R: 10.65 | 20.6 | 23.5 | P: 4.5 R: 5.0 | P: 4.0 R: 5.0 |
| P: 18.0 R: 18.0 | P: 14 R: 10.65 | 20.6 | 23.5 | P: 4.5 R: 5.0 | P: 4.0 R: 5.0 |
| 19.8 | 11.3 | 22.0 | 25.4 | - | R: 7.0 |
| P: 18.0 R: 18.0 | P: 14.0 R: 10.65 | 20.6 | 23.8 | P: 4.5 R: 5.0 | P: 4.0 R: 5.0 |
| 17.0 | 14.0 | 25.4 | 29.3 | P: 4.0 | P: 3.0 |
| P: 17.0 R: 18.0 | P: 14.0 R: 10.0 | 25.4 | 29.3 | P: 4.0 R: 4.0 | P: 3.0 R: 4.0 |
| 18.0 | 14.0 | 25.4 | 29.3 | P: 4.0 | P: 3.0 |
| P: 17.0 R: 18.0 | P: 14.0 R: 10.0 | 25.4 | 29.3 | P: 4.0 R: 4.0 | P: 3.0 R: 4.0 |
| 18.0 | 15.0 | 25.4 | 29.3 | P: 4.0 | - |
| 19.5 | F: 15 R: 11.5 | 25.4 | 29.3 | P: 4.0 | P: 3.0 |
| P: 17.0 R: 18.0 | P: 14.0 R: 10.0 | 25.4 | 29.3 | P: 4.0 R: 4.0 | P: 3.0 R: 4.0 |
| 18.0 | 14.8 | 28.5 | 33.0 | P: 4.0 | - |
| P: 18.0 R: 18.0 | P: 14.9 R: 10.3 | 28.5 | 33.0 | P: 4.0 R: 4.0 | P: 4.0 R: 4.0 |
| 17.9 | 14.6 | 29.0 | 33.5 | - | P: 3.5 |
| 18.0 | 14.6 | 29.0 | 33.4 | - | P: 3.5 |
| P: 18.0 R: 18.0 | P: 14.9 R: 10.3 | 28.5 | 33.0 | P: 4.0 R: 4.0 | P: 4.0 R: 4.0 |
| 18.8 | 14.8 | 28.5 | 33.0 | P: 4.0 | - |
| 19 | P: 14.9 / R: 10.8 | 28.5 | 33.0 | P: 4.0 / R: 3.5 | P: 4.0 / R: 3.5 |
| 17.6 | 14.9 | 34.9 | 4.0 | P: 3.5 | - |
| - | - | - | - | - | - |
| - | - | - | - | - | - |
| 15.9 | 13.4 | 15.8 | 17.3 | P: 3.0 | - |

| L | | OD | |
|--------|------|--------------------|--------------------|
| Female | Male | Female | Male |
| 43.5 | 44.5 | 15.2 | 13.5 |
| - | - | - | - |
| 43.5 | 44.5 | 15.2 | 13.5 |
| - | - | - | - |
| 55.5 | 59.0 | S: 20.0 L: 18.0 | 14.6 |
| - | - | - | - |
| 55.5 | 59.0 | S: 20.0 L: 18.0 | 14.6 |
| - | - | - | - |
| 55.5 | 59.0 | S: 20.0 L: 18.0 | 14.6 |
| - | - | - | - |
| 43.0 | 59.0 | S: 20.0 L: 18.0 | 14.6 |
| 60.0 | - | L: 22.2 S: 25.4 | - |
| 60.0 | 60.0 | L: 22.2 S: 25.4 | 20.0 |
| 60.5 | - | L: 22.2 S: 25.4 | - |
| 60.0 | - | L: 22.2 S: 25.4 | - |
| 60.3 | - | 23.0 | - |
| 60.0 | - | L: 22.2 S: 25.4 | - |
| 60.0 | - | L: 22.2 S: 25.4 | - |
| 59.5 | - | S: 32.0 L: 28.5 | - |
| 59.5 | 59.5 | S: 32.0 L: 28.5 | 22.5 |
| - | - | - | - |
| - | - | - | - |
| 59.5 | - | S: 32.0 L: 28.5 | - |
| 63.5 | 69.7 | 28.5 | 22.5 |
| 59.5 | 59.5 | S: 32.0 L: 28.5 | S: 32.0 L: 28.5 |
| 70.0 | - | 33.3 | - |
| 68.7 | 73.5 | 26.6 | 25.0 |
| 61.5 | 61.5 | 23.0 | 19.4 |
| - | - | - | - |

Field installable



without Strain Relief / Straight

with Strain Relief / Right Angle

without Strain Relief / Right Angle

without Strain Relief / Straight

| L | | OD | |
|--------|------|------------------|------|
| Female | Male | Female | Male |
| 34.0 | 35.3 | 15.2 | 13.5 |
| - | - | - | - |
| 34.0 | 35.3 | 15.2 | 13.5 |
| - | - | - | - |
| 43.0 | 45.0 | S-20.0 L-18.0 | 14.6 |
| 37.8 | - | 19.0 | - |
| 43.0 | 45.0 | S-20.0 L-18.0 | 14.6 |
| 37.8 | - | 19.0 | - |
| 43.0 | - | S-20.0 L-18.0 | - |
| 43.0 | 45.0 | S-20.0 L-18.0 | 14.6 |
| - | - | - | - |
| 43.0 | 45.0 | S-20.0 L-18.0 | 14.6 |
| 41.8 | - | L-22.2 S-25.4 | - |
| 41.8 | 41.8 | L-22.2 S-25.4 | 20.0 |
| 41.8 | - | L-22.2 S-25.4 | - |
| 41.8 | - | L-22.2 S-25.4 | - |
| - | - | - | - |
| 41.8 | - | L-22.2 S-25.4 | - |
| 41.8 | - | L-22.2 S-25.4 | - |
| 52.0 | - | S-32.0 L-28.5 | - |
| 52.0 | 52.0 | S-32.0 L-28.5 | 22.5 |
| 49.3 | - | 30.0 | - |
| 49.3 | - | 30.0 | - |
| 52.0 | - | S32.0 L-28.5 | - |
| - | - | - | - |
| - | - | - | - |
| 60.2 | 65.0 | 26.6 | 25.0 |
| 53.0 | 53.0 | 23.0 | 19.4 |
| - | - | - | - |

| L [A] | | L [B] | | OD | |
|--------|------|--------|------|------------------|------|
| Female | Male | Female | Male | Female | Male |
| - | - | - | - | - | - |
| - | - | - | - | - | - |
| - | - | - | - | - | - |
| 34.0 | - | 35.0 | - | S-20.0 L-18.0 | - |
| - | - | - | - | - | - |
| 34.0 | - | 35.0 | - | S-20.0 L-18.0 | - |
| - | - | - | - | - | - |
| 34.0 | - | 35.0 | - | S-20.0 L-18.0 | - |
| 34.0 | - | 35.0 | - | S-20.0 L-18.0 | - |
| - | - | - | - | - | - |
| 34.0 | - | 35.0 | - | S-20.0 L-18.0 | - |
| - | - | - | - | - | - |
| 42.5 | - | 39.5 | - | 22.2 | - |
| - | - | - | - | - | - |
| - | - | - | - | - | - |
| - | - | - | - | - | - |
| - | - | - | - | - | - |
| - | - | - | - | - | - |
| - | - | - | - | - | - |
| - | - | - | - | - | - |
| 44.1 | - | 49.8 | - | S-32.0 L-28.5 | - |
| 40.0 | - | 40.0 | - | 30.0 | - |
| 40.0 | - | 40.0 | - | 30.0 | - |
| - | - | - | - | - | - |
| - | - | - | - | - | - |
| 44.1 | - | 49.8 | - | 28.5 | - |
| - | - | - | - | - | - |
| - | - | - | - | - | - |
| - | - | - | - | - | - |
| - | - | - | - | - | - |
| - | - | - | - | - | - |

| L [A] | | L [B] | | OD | |
|--------|------|--------|------|------------------|------|
| Female | Male | Female | Male | Female | Male |
| 24.0 | - | 29.4 | - | 15.2 | - |
| - | - | - | - | - | - |
| 24.0 | - | 29.4 | - | 15.2 | - |
| - | - | - | - | - | - |
| - | - | - | - | - | - |
| 30.0 | - | 33.6 | - | 19.0 | - |
| 25.5 | - | 31.0 | - | S-20.0 L-18.0 | - |
| 30.0 | - | 33.6 | - | 19.0 | - |
| - | - | - | - | - | - |
| 25.5 | - | 31.0 | - | S-20.0 L-18.0 | - |
| - | - | - | - | - | - |
| 25.5 | - | 31.0 | - | S-20.0 L-18.0 | - |
| - | - | - | - | - | - |
| - | - | - | - | - | - |
| - | - | - | - | - | - |
| - | - | - | - | - | - |
| - | - | - | - | - | - |
| - | - | - | - | - | - |
| - | - | - | - | - | - |
| 40.0 | - | 40.0 | - | 30.0 | - |
| 40.0 | - | 40.0 | - | 30.0 | - |
| - | - | - | - | - | - |
| - | - | - | - | - | - |
| - | - | - | - | - | - |
| - | - | - | - | - | - |
| - | - | - | - | - | - |
| - | - | - | - | - | - |

| L | | OD | |
|--------|-------|------------------|------|
| Female | Male | Female | Male |
| 41.5 | 41.5 | 15.2 | 13.5 |
| - | - | - | - |
| 41.5 | 41.5 | 15.2 | 13.5 |
| - | - | - | - |
| 44.0 | 43.0 | S-20.0 L-18.0 | 14.6 |
| - | - | - | - |
| 43.0 | 43.0 | S-20.0 L-18.0 | 14.6 |
| - | - | - | - |
| 43.0 | - | S-20.0 L-18.0 | - |
| 43.0 | 43.0 | S-20.0 L-18.0 | 14.6 |
| - | - | - | - |
| 43.0 | 43.0 | S-20.0 L-18.0 | 14.6 |
| 48.2 | - | L-22.2 S-25.4 | - |
| 48.2 | 48.65 | L-22.2 S-25.4 | 20.0 |
| - | - | - | - |
| 48.2 | - | L-22.2 S-25.4 | - |
| 49.7 | - | 23.0 | - |
| - | - | - | - |
| 48.2 | - | L-22.2 S-25.4 | - |
| - | - | - | - |
| - | - | - | - |
| 54.9 | 54.9 | S-32.0 L-28.5 | 23.0 |
| - | - | - | - |
| - | - | - | - |
| 54.9 | 54.9 | S-32.0 L-28.5 | 23.0 |
| 62.8 | 59.3 | L-28.5 | 23.0 |
| 59.9 | 59.9 | L-28.5 | 23.0 |
| - | - | - | - |
| - | - | - | - |
| 39.2 | 35.3 | 15.0 | 15.0 |

Unit: mm





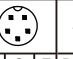













[Note] Design and specification are subject to change without notice.

Contact Configuration

| | Mini Size (A) | | | | | | Standard Size (B) | | | | | | | |
|---|---------------|----------|-----------|----------|----------|----------|-------------------|----------|-----------|-----------|-----------|----------|-----------|-----------|
| | 2A(AU)(ASU) | | 5A(AD) | | 5A(ASD) | | 2A(BU)(BSU) | | 5A(BD) | | 5A(BSD) | | 10A(BB) | |
| 4 5 | MM or FF | MF or FM | MM or FF | MF or FM | MM or FF | MF or FM | MM or FF | MF or FM | MM or FF | MF or FM | MM or FF | MF or FM | MM or FM | MF or FM |
| 2 Pin | | | | | | | | | | | | | | |
| | | | R C F | | R | | | | R C F | R C F | | | R C F | R C F |
| 3 Pin | | | | | | | | | | | | | | |
| | | | R C F | | | | | | R C F | R C F | | | R C F | R C F |
| 4 Pin | | | | | | | | | | | | | | |
| | R C F | | | | | | | | R C F | R C F | R C F | | R C F | |
| 5 Pin | | | | | | | | | | | | | | |
| | R C F | | | | | | | | R C F | R C F | R C F | | | |
| 6 Pin | | | | | | | | | | | | | | |
| | R C F | | | | | | | | R C F | R C F | R C F | | | |
| 7 Pin | | | | | | | | | | | | | | |
| | | | | | | | | | R C F | | R C F | | | |
| 8 Pin | | | | | | | | | | | | | | |
| | | | | | | | | | R C F | | R C F | | | |
| 9 Pin | | | | | | | | | | | | | | |
| 10 Pin | | | | | | | | | | | | | | |
| | | | | | | | R C F | | | | | | | |
| 12 Pin | | | | | | | | | | | | | | |
| | | | | | | | R C F | | | | | | | |
| 14 Pin | | | | | | | | | | | | | | |
| 18 Pin | | | | | | | | | | | | | | |
| 20 Pin | | | | | | | | | | | | | | |
| 21 Pin | | | | | | | | | | | | | | |
| 22 Pin | | | | | | | | | | | | | | |
| 31 Pin | | | | | | | | | | | | | | |

* Standard Size Metal (BSU): 10 Contact

Contact Configuration

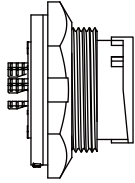
| | Middle Size (C) | | | | | | Middle Size (C) | | | | Large Size (D) | | | |
|--------|---|---|---|---|------------|---|---|---|---|---|--|---|---|----------|
| | 10A(CB) | | 20A(CC) | | 5A+2A(CDU) | | 10A+5A(CBD) | | 10A+2A(CBU) | | 2A(DU) | | 5A(DD)(DSD) | |
| 4 5 | MM or FF | MF or FM | MM or FF | MF or FM | MM or FF | MF or FM | MM or FF | MF or FM | MM or FF | MF or FM | MM or FF | MF or FM | MM or FF | MF or FM |
| 2 Pin | | | |  | | | | | | | | | | |
| | | | | R C F | | | | | | | | | | |
| 3 Pin | | |  | | | | | | | | | | | |
| | | | R C F | | | | | | | | | | | |
| 4 Pin |  |  | | | | | | | | | | | | |
| | R C F | R C F | | | | | | | | | | | | |
| 5 Pin |  |  | | | | | | | | | | | | |
| | R C F | R C F | | | | | | | | | | | | |
| 6 Pin |  | | | | | | | | | | | | | |
| | R C F | | | | | | | | | | | | | |
| 7 Pin | | | | | | | | | | | | | | |
| 8 Pin | | | | | | |  |  |  |  | | | | |
| | | | | | | | R C | R C | R C F | R C F | | | | |
| 9 Pin | | | | | | | | | | | | | | |
| 10 Pin | | | | | | | | | | | | | | |
| 12 Pin | | | | | |  | | | | | | | | |
| | | | | | | R C F | | | | | | | | |
| 14 Pin | | | | | |  | | | | | | | | |
| | | | | | | R C F | | | | | | | | |
| 18 Pin | | | | | | | | | | | |  |  | |
| | | | | | | | | | | | | R C F | R C F | |
| 20 Pin | | | | | | | | | | |  | | | |
| | | | | | | | | | | | R C F | | | |
| 21 Pin | | | | | | | | | | |  | | | |
| | | | | | | | | | | | R C F | | | |
| 22 Pin | | | | | | | | | | |  | | | |
| | | | | | | | | | | | R C F | | | |
| 31 Pin | | | | | | | | | | | | | | |

| Large Size (D) | | | | | | Marco Size (E) | | Other Size | | | | | |
|----------------|----------|-------------|-----------|-------------|-----------|----------------|----------|-------------|----------|----------|-----------|----------|----------|
| 20A(DC) | | 20A+2A(DCU) | | 20A+5A(DCD) | | 5A(ED) | | 10A+5A(GBD) | | 10A(MAB) | | 5A(PLD) | |
| MM or FF | MF or FM | MM or FF | MF or FM | MM or FF | MF or FM | MM or FF | MF or FM | MM or FF | MF or FM | MM or FF | MF or FM | MM or FF | MF or FM |
| | | | | | | | | | | | | | |
| R C F | | | | | | | | | | | | | R F |
| | | | | | | | | | | | | | |
| R C F | | | | | | | | | | | | | R F |
| | | | | | | | | | | | | | |
| R C F | | | | | | | | | | | R C F | | R F |
| | | | | | | | | | | | | | |
| R C F | | | | | | | | | | | | | |
| | | | | | | | | | | | | | |
| R C F | | | | | | | | | C | | | | |
| | | | | | | | | | | | | | |
| | | R C F | R C F | | | | | | | | | | |
| | | | | | | | | | | | | | |
| | | | | | | | | | | | | | |
| | | | | R C F | R C F | | | | | | | | |
| | | | | | | | | | | | | | |
| | | | | | | | | | | | | | |
| | | | | | | | | | | | | | |
| | | | | | | | | | | | | | |
| | | | | | | | | | | | | | |
| | | | | | | | | | | | | | |
| | | | | | | | | | | | | | |
| | | | | | | | | | R C | | | | |

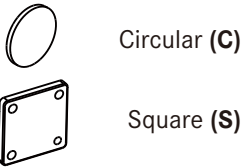
[Note] Design and specification are subject to change without notice.

Product Features

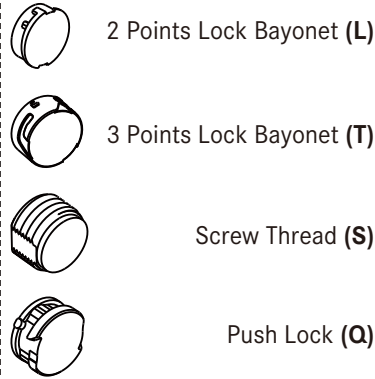
Receptacle



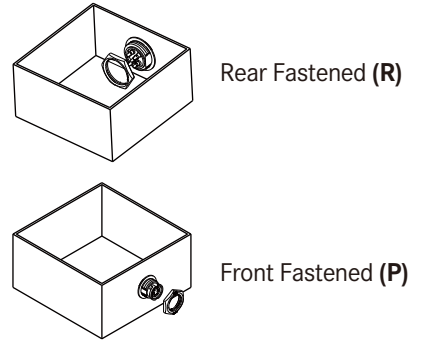
Flange 8



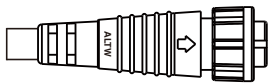
Mating Style 7



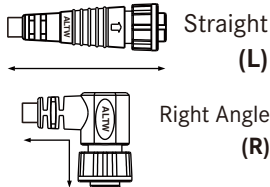
Connector Body (Style) 3



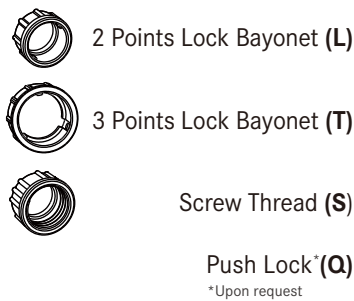
Overmolded with Cable



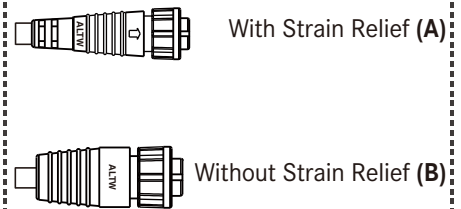
Backshell 8



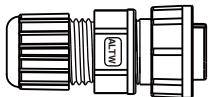
Mating Style 7



Connector Body (Style) 3



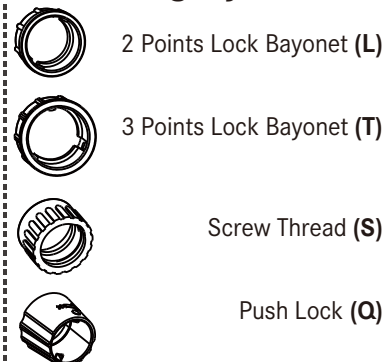
Field Installable



Backshell 8



Mating Style 7

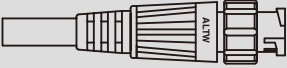
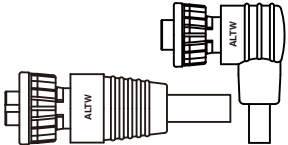
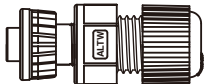


Connector Body (Style) 3



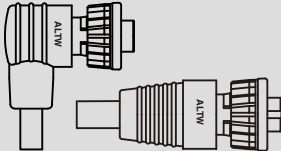
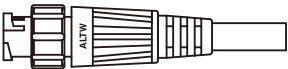
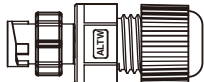
Find Our Standard Products

Mini Size: 7/16"-28 UNS > In-line

| <ul style="list-style-type: none"> • Male Connector (Housing) • Male Contacts • 2 Points Lock Bayonet | | <p>Overmolded with Cable</p>  | <p>Overmolded with Cable</p>  | <p>Field Installable</p>  |
|--|-------------------|--|--|--|
| Current Rating (Code) | Contacts 2 | Male Connector (M) Male Contacts (M) | Female Connector (F) Female Contacts (F) | Female Connector (F) Female Contacts (F) |
| 2A (AU) | 04,05,06 | AU- 2 AMMM-LL6A ^{XX} * AU- 2 BMMM-LL7A ^{XX} * | AU- 2 AFFM-LL6A ^{XX} * AU- 2 BFFM-LL7A ^{XX} * AU- 2 BFFM-LR6A ^{XX} * | AU- 2 BFFA-LL7001 |
| 5A (AD) | 02,03 | AD- 2 AMMM-LL6A ^{XX} * AD- 2 BMMM-LL7A ^{XX} * | AD- 2 AFFM-LL6A ^{XX} * AD- 2 BFFM-LL7A ^{XX} * AD- 2 BFFM-LR6A ^{XX} * | AD- 2 BFFA-LL7001 |

* XX: Choose the cable length from 01~99m

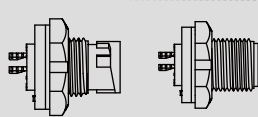
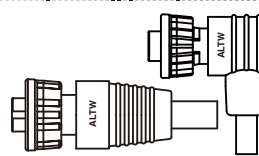
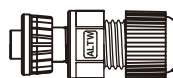
Mini Size: 7/16"-28 UNS > In-line

| <ul style="list-style-type: none"> • Female Connector (Housing) • Female Contacts • 2 Points Lock Bayonet | | <p>Overmolded with Cable</p>  | <p>Overmolded with Cable</p>  | <p>Field Installable</p>  |
|--|-------------------|--|---|--|
| Current Rating (Code) | Contacts 2 | Female Connector (F) Female Contacts (F) | Male Connector (M) Male Contacts (M) | Male Connector (M) Male Contacts (M) |
| 2A (AU) | 04,05,06 | AU- 2 AFFM-LL6A ^{XX} * AU- 2 BFFM-LL7A ^{XX} * AU- 2 BFFM-LR6A ^{XX} * | AU- 2 AMMM-LL6A ^{XX} * AU- 2 BMMM-LL7A ^{XX} * | AU- 2 BMMA-LL7001 |
| 5A (AD) | 02,03 | AD- 2 AFFM-LL6A ^{XX} * AD- 2 BFFM-LL7A ^{XX} * AD- 2 BFFM-LR6A ^{XX} * | AD- 2 AMMM-LL6A ^{XX} * AD- 2 BMMM-LL7A ^{XX} * | AD- 2 BMMA-LL7001 |

* XX: Choose the cable length from 01~99m

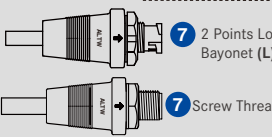
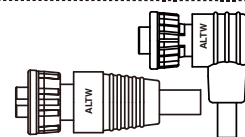
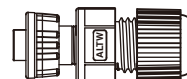
[Note] Design and specification are subject to change without notice.

Mini Size: 7/16"-28 UNS > Receptacle and Mating Pair

| <ul style="list-style-type: none"> • Male Connector (Housing) • Male Contacts • Screw Thread & 2 Points Lock Bayonet | | <p>Receptacle</p>  <ul style="list-style-type: none"> 7 2 Points Lock Bayonet (L) 7 Screw Thread (S) 6 Choose the PCB Type (P/R) or Solder Type (S) 8 Choose the backshell circular (C) or square flange (S). 10 Choose Plastic (001) or Metal Nut (002) | <p>Overmolded with Cable</p>  <ul style="list-style-type: none"> 7 Choose 2 Points Lock Bayonet (L) or Screw Thread (S) | <p>Field Installable</p>  <ul style="list-style-type: none"> 7 Choose 2 Points Lock Bayonet (L) or Screw Thread (S) |
|---|------------|--|---|---|
| Current Rating (Code) | Contacts 2 | Male Connector (M) Male Contacts (M) | Female Connector (F) Female Contacts (F) | Female Connector (F) Female Contacts (F) |
| 2A (AU) | 04,05,06 | AU-2 PMM 6-7 8 7001 AU-2 RMMS - 7 C7001 | AU-2 AFFM-7 L6A _{XX} * AU-2 BFFM-7 L7A _{XX} * AU-2 BFFM-7 R6A _{XX} * | AU-2 BFFA-7 L7001 |
| 2A (ASU) *Metal | 04,05,06 | ASU-2 PMMS- LS70010 | AU-2 AFFM-LL6A _{XX} * AU-2 BFFM-LL7A _{XX} * AU-2 BFFM-LR6A _{XX} * | AU-2 BFFA-LL7001 |
| 5A (AD) | 02,03 | AD-2 PMM 6-7 8 7001 AD-2 RMMS - 7 C70010 | AD-2 AFFM-7 L6A _{XX} * AD-2 BFFM-7 L7A _{XX} * AD-2 BFFM-7 R6A _{XX} * | AD-2 BFFA-7 L7001 |
| 5A (ASD) *Metal | 02,03 | ASD-2 PMM 6-LS70010 | AD-2 AFFM-LL6A _{XX} * AD-2 BFFM-LL7A _{XX} * AD-2 BFFM-LR6A _{XX} * | AD-2 BFFA-LL7001 |

* XX: Choose the cable length from 01~99m

Mini Size: 7/16"-28 UNS > Receptacle with Overmolded Cable and Mating Pair

| <ul style="list-style-type: none"> • Male Connector (Housing) • Male Contacts • Screw Thread & 2 Points Lock Bayonet | | <p>Receptacle</p>  <ul style="list-style-type: none"> 7 2 Points Lock Bayonet (L) 7 Screw Thread (S) | <p>Overmolded with Cable</p>  <ul style="list-style-type: none"> 7 Choose 2 Points Lock Bayonet (L) or Screw Thread (S) | <p>Field Installable</p>  <ul style="list-style-type: none"> 7 Choose 2 Points Lock Bayonet (L) or Screw Thread (S) |
|---|------------|---|---|---|
| Current Rating (Code) | Contacts 2 | Male Connector (M) Male Contacts (M) | Female Connector (F) Female Contacts (F) | Female Connector (F) Female Contacts (F) |
| 2A (AU) | 04,05,06 | AU-2 PMMM-7 L7A _{XX} * | AU-2 AFFM-7 L6A _{XX} * AU-2 BFFM-7 L7A _{XX} * AU-2 BFFM-7 R6A _{XX} * | AU-2 BFFA-7 L7001 |
| 5A (AD) | 02,03 | AD-2 PMMM-7 L7A _{XX} * | AD-2 AFFM-7 L6A _{XX} * AD-2 BFFM-7 L7A _{XX} * AD-2 BFFM-7 R6A _{XX} * | AD-2 BFFA-7 L7001 |

* XX: Choose the cable length from 01~99m

Standard Size: 5/8"-27 UNS > In-line

| <ul style="list-style-type: none"> • Male Connector (Housing) • Male Contacts • 2 Points Lock Bayonet | | Overmolded with Cable | Overmolded with Cable | Field Installable |
|--|--------------------------|--|--|---|
| Current Rating (Code) | Contacts 2 | Male Connector (M) Male Contacts (M) | Female Connector (F) Female Contacts (F) | Female Connector (F) Female Contacts (F) |
| 2A (BU) | 10, 12 | BU- 2 AMMM-LL6A ^{XX} * BU- 2 BMMM-LL7A ^{XX} * | BU- 2 AFFM-LL6A ^{XX} * BU- 2 AFFM-LR7A ^{XX} * BU- 2 BFFM-LL7A ^{XX} * BU- 2 BFFM-LR6A ^{XX} * | BU- 2 BFFA-LL7001 |
| 5A (BD) | 02,03,04, 05,06,07,08 | BD- 2 AMMM-LL6A ^{XX} * BD- 2 BMMM-LL7A ^{XX} * | BD- 2 AFFM-LL6A ^{XX} * BD- 2 AFFM-LR7A ^{XX} * BD- 2 BFFM-LL7A ^{XX} * BD- 2 BFFM-LR6A ^{XX} * | BD- 2 BFFA-LL7001 |
| 10A (BB) | 02,03,04 | BB- 2 AMMM-LL6A ^{XX} * BB- 2 BMMM-LL7A ^{XX} * | BB- 2 AFFM-LL6A ^{XX} * BB- 2 AFFM-LR7A ^{XX} * BB- 2 BFFM-LL7A ^{XX} * BB- 2 BFFM-LR6A ^{XX} * | BB- 2 BFFA-LL7001 |

* XX: Choose the cable length from 01~99m

Standard Size: 5/8"-27 UNS > In-line

| <ul style="list-style-type: none"> • Male Connector (Housing) • Male Contacts • 2 Points Lock Bayonet | | Field Installable | Overmolded with Cable | Field Installable |
|--|--------------------------|---|--|---|
| Current Rating (Code) | Contacts 2 | Male Connector (M) Male Contacts (M) | Female Connector (F) Female Contacts (F) | Female Connector (F) Female Contacts (F) |
| 2A (BU) | 10, 12 | BU- 2 BMMA-LL7001 | BU- 2 AFFM-LL6A ^{XX} * BU- 2 AFFM-LR7A ^{XX} * BU- 2 BFFM-LL7A ^{XX} * BU- 2 BFFM-LR6A ^{XX} * | BU- 2 BFFA-LL7001 |
| 5A (BD) | 02,03,04, 05,06,07,08 | BD- 2 BMMA-LL7001 | BD- 2 AFFM-LL6A ^{XX} * BD- 2 AFFM-LR7A ^{XX} * BD- 2 BFFM-LL7A ^{XX} * BD- 2 BFFM-LR6A ^{XX} * | BD- 2 BFFA-LL7001 |
| 10A (BB) | 02,03,04 | BB- 2 BMMA-LL7001 | BB- 2 AFFM-LL6A ^{XX} * BB- 2 AFFM-LR7A ^{XX} * BB- 2 BFFM-LL7A ^{XX} * BB- 2 BFFM-LR6A ^{XX} * | BB- 2 BFFA-LL7001 |

[Note] Design and specification are subject to change without notice.

* XX: Choose the cable length from 01~99m

Standard Size: 5/8"-27 UNS > In-line

| <ul style="list-style-type: none"> Female Connector (Housing) Female Contacts 2 Points Lock Bayonet | | Overmolded with Cable → | Overmolded with Cable → | Field Installable |
|--|--------------------------|--|--|---|
| | | | | |
| Current Rating (Code) | Contacts 2 | Female Connector (F) Female Contacts (F) | Male Connector (M) Male Contacts (M) | Male Connector (M) Male Contacts (M) |
| 2A (BU) | 10, 12 | BU- 2 AFFM-LL6A ^{XX} * BU- 2 AFFM-LR7A ^{XX} * BU- 2 BFFM-LL7A ^{XX} * BU- 2 BFFM-LR6A ^{XX} * | BU- 2 AMMM-LL6A ^{XX} * BU- 2 BMMM-LL7A ^{XX} * | BU- 2 BMMA-LL7001 |
| 5A (BD) | 02,03,04, 05,06,07,08 | BD- 2 AFFM-LL6A ^{XX} * BD- 2 AFFM-LR7A ^{XX} * BD- 2 BFFM-LL7A ^{XX} * BD- 2 BFFM-LR6A ^{XX} * | BD- 2 AMMM-LL6A ^{XX} * BD- 2 BMMM-LL7A ^{XX} * | BD- 2 BMMA-LL7001 |
| 10A (BB) | 02,03,04 | BB- 2 AFFM-LL6A ^{XX} * BB- 2 AFFM-LR7A ^{XX} * BB- 2 BFFM-LL7A ^{XX} * BB- 2 BFFM-LR6A ^{XX} * | BB- 2 AMMM-LL6A ^{XX} * BB- 2 BMMM-LL7A ^{XX} * | BB- 2 BMMA-LL7001 |

* XX: Choose the cable length from 01~99m

Standard Size: 5/8"-27 UNS > In-line

| <ul style="list-style-type: none"> Female Connector (Housing) Female Contacts 2 Points Lock Bayonet | | Field Installable → | Overmolded with Cable → | Field Installable |
|--|--------------------------|---|--|---|
| | | | | |
| Current Rating (Code) | Contacts 2 | Female Connector (F) Female Contacts (F) | Male Connector (M) Male Contacts (M) | Male Connector (M) Male Contacts (M) |
| 2A (BU) | 10, 12 | BU- 2 BFFA-LL7001 | BU- 2 AMMM-LL6A ^{XX} * BU- 2 BMMM-LL7A ^{XX} * | BU- 2 BMMA-LL7001 |
| 5A (BD) | 02,03,04, 05,06,07,08 | BD- 2 BFFA-LL7001 | BD- 2 AMMM-LL6A ^{XX} * BD- 2 BMMM-LL7A ^{XX} * | BD- 2 BMMA-LL7001 |
| 10A (BB) | 02,03,04 | BB- 2 BFFA-LL7001 | BB- 2 AMMM-LL6A ^{XX} * BB- 2 BMMM-LL7A ^{XX} * | BB- 2 BMMA-LL7001 |

* XX: Choose the cable length from 01~99m

Standard Size: 5/8"-27 UNS > In-line

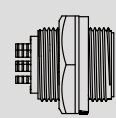
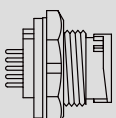
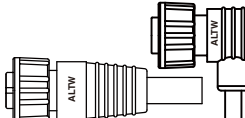
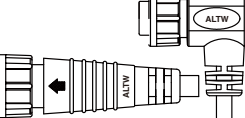
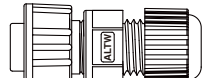
| <ul style="list-style-type: none"> Female Connector (Housing) Male Contacts 2 Points Lock Bayonet | | <p>Overmolded with Cable</p> | <p>Overmolded with Cable</p> | <p>Field Installable</p> |
|--|-------------------|--|--|---|
| Current Rating (Code) | Contacts 2 | Female Connector (F) Male Contacts (M) | Male Connector (M) Female Contacts (F) | Male Connector (M) Female Contacts (F) |
| 5A (BD) | 02,03,04,05,06 | BD- 2 AFMM-LL6A _{XX} * BD- 2 AFMM-LR7A _{XX} * BD- 2 BFMM-LL7A _{XX} * BD- 2 BFMM-LR6A _{XX} * | BD- 2 AMFM-LL6A _{XX} * BD- 2 BMFM-LL7A _{XX} * | BD- 2 BMFA-LL7001 |
| 10A (BB) | 02,03 | BB- 2 AFMM-LL6A _{XX} * BB- 2 AFMM-LR7A _{XX} * BB- 2 BFMM-LL7A _{XX} * BB- 2 BFMM-LR6A _{XX} * | BB-02AMFM-LL6A _{XX} * BB-02BMFM-LL7A _{XX} * BB-03AMFM-LL6A _{XX} * BB-03BMFM-LL7A _{XX} * | BB-02BMFA-LL7001 BB-03BMFA-LL7001 |
| 5A+2A (BDU) | 08 (2+6) | BDU-08AFMM-LL6A _{XX} * BDU-08AFMM-LR7A _{XX} * BDU-08BFMM-LL7A _{XX} * | BDU-08AMFM-LL6A _{XX} * BDU-08BMFM-LL7A _{XX} * | BDU-08BMFA-LL7001 |
| 10A+5A (BBD) | 06 (2+4) | BBD- 2 AFMM-LL6A _{XX} * BBD- 2 AFMM-LR7A _{XX} * BBD- 2 BFMM-LL7A _{XX} * BBD- 2 BFMM-LR6A _{XX} * | BBD-06AMFM-LL6A _{XX} * BBD-06BMFM-LL7A _{XX} * | BBD-06BMFA-LL7001 |

【Note】 BDU-08AMFM-LL6A_{XX} and BDU-08BMFM-LL7A_{XX} are coming soon.

* _{XX}: Choose the cable length from 01~99m

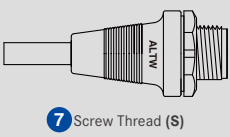
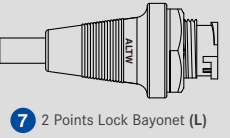
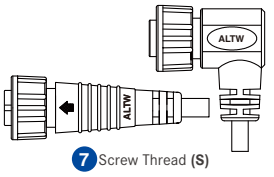
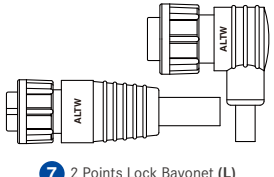
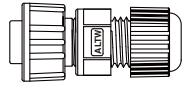
【Note】 Design and specification are subject to change without notice.

Standard Size: 5/8"-27 UNS > Receptacle and Mating Pair

| | | | | |
|---|--------------------------|--|---|--|
| <ul style="list-style-type: none"> • Male Connector (Housing) • Male Contacts • Screw Thread & 2 Points Lock Bayonet | | <p>Receptacle</p>  <p>7 Screw Thread (S)</p>  <p>7 2 Points Lock Bayonet (L)</p> <p>6 Choose the PCB Type (P/R) or Solder Type (S)</p> | <p>Overmolded with Cable</p>  <p>7 Screw Thread (S)</p>  <p>7 2 Points Lock Bayonet (L)</p> | <p>Field Installable</p>  <p>7 Choose 2 Points Lock Bayonet (L) or Screw Thread (S)</p> |
| | | <p>Current Rating (Code)</p> | <p>Contacts 2</p> | <p>Male Connector (M) Male Contacts (M)</p> |
| 2A (BU) | 10, 12 | BU- 2 PMM 6 - 7 C7001 BU- 2 RMMS - 7 C7001 | BU- 2 AFFM- 7 L6A _{XX} * BU- 2 AFFM- 7 R7A _{XX} * BU- 2 BFFM- 7 L7A _{XX} * BU- 2 BFFM-LR6A _{XX} * | BU- 2 BFFA- 7 L7001 |
| 2A (BSU) *Metal | 10 | BSU- 2 PMM 6 -SC7001 BSU- 2 RMMS-SC7001 | BSU-10BFFM-SL7A _{XX} * BSU-10BFFM-SR6A _{XX} * | BSU-10BFFA-SL7001 |
| 5A (BD) | 02,03,04, 05,06,07,08 | BD- 2 PMM 6 - 7 C7001 BD- 2 RMMS - 7 C7001 BD- 2 RMM 6 -LC7001 | BD- 2 AFFM- 7 L6A _{XX} * BD- 2 AFFM- 7 R7A _{XX} * BD- 2 BFFM- 7 L7A _{XX} * BD- 2 BFFM- 7 R6A _{XX} * | BD- 2 BFFA- 7 L7001 |
| 5A (BSD) | 04,05,06, 07,08 | BSD- 2 PMM 6 -SC7001 BSD- 06RMMS-SC7001 BSD- 08RMMS-SC7001 | BSD- 2 BFFM-SL6A _{XX} * BSD- 2 BFFM-SR6A _{XX} * | - |
| 10A (BB) | 02,03,04 | BB- 2 PMM 6 - 7 C7001 BB- 2 RMMS- 7 C7001 BB- 2 RMM 6 -LC7001 | BB- 2 AFFM- 7 L6A _{XX} * BB- 2 AFFM- 7 R7A _{XX} * BB- 2 BFFM- 7 L7A _{XX} * BB- 2 BFFM- 7 R6A _{XX} * | BB- 2 BFFA- 7 L7001 |
| 10A (BSB) *Metal | 04 | BSB-04RMMS-SC7001 | BSB-04BFFM-SL7A _{XX} * | - |

* XX: Choose the cable length from 01~99m

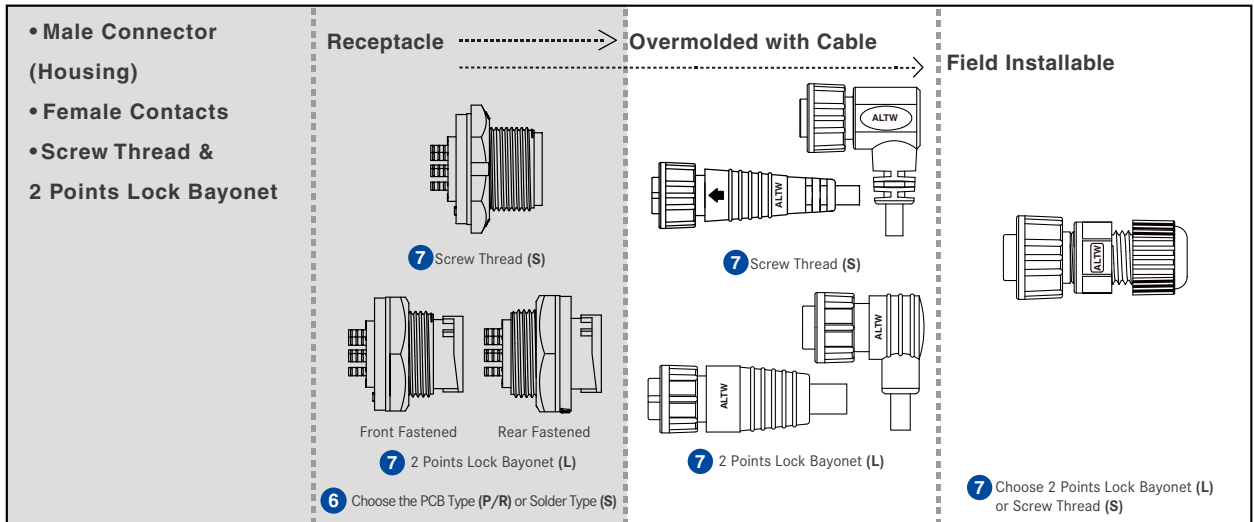
Standard Size: 5/8"-27 UNS > Receptacle with Overmolded Cable and Mating Pair

| <ul style="list-style-type: none"> • Male Connector (Housing) • Male Contacts • Screw Thread & 2 Points Lock Bayonet | | <p>Receptacle</p>  <p>7 Screw Thread (S)</p>  <p>7 2 Points Lock Bayonet (L)</p> | <p>Overmolded with Cable</p>  <p>7 Screw Thread (S)</p>  <p>7 2 Points Lock Bayonet (L)</p> | <p>Field Installable</p>  <p>7 Choose 2 Points Lock Bayonet (L) or Screw Thread (S)</p> |
|---|--------------------------|--|---|--|
| Current Rating (Code) | Contacts 2 | Male Connector (M) Male Contacts (M) | Female Connector (F) Female Contacts (F) | Female Connector (F) Female Contacts (F) |
| 2A (BU) | 10, 12 | BU- 2 PMMM- 7 L7A _{XX} * | BU- 2 AFFM- 7 L6A _{XX} * BU- 2 AFFM- 7 R7A _{XX} * BU- 2 BFFM- 7 L7A _{XX} * | BU- 2 BFFA- 7 L7001 |
| 5A (BD) | 02,03,04, 05,06,07,08 | BD- 2 PMMM- 7 L7A _{XX} * | BD- 2 AFFM- 7 L6A _{XX} * BD- 2 AFFM- 7 R7A _{XX} * BD- 2 BFFM- 7 L7A _{XX} * BD- 2 BFFM- 7 R6A _{XX} * | BD- 2 BFFA- 7 L7001 |
| 10A (BB) | 02,03,04 | BB- 2 PMMM- 7 L7A _{XX} * | BB- 2 AFFM- 7 L6A _{XX} * BB- 2 AFFM- 7 R7A _{XX} * BB- 2 BFFM- 7 L7A _{XX} * BB- 2 BFFM- 7 R6A _{XX} * | BB- 2 BFFA- 7 L7001 |

* XX: Choose the cable length from 01-99m

【Note】 Design and specification are subject to change without notice.

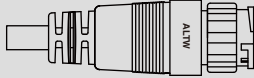
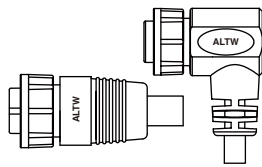
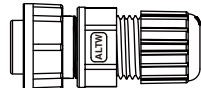
Standard Size: 5/8"-27 UNS > Receptacle and Mating Pair



| Current Rating (Code) | Contacts 2 | Male Connector (M) Female Contacts (F) | Female Connector (F) Male Contacts (M) | Female Connector (F) Male Contacts (M) |
|-----------------------|--|--|--|---|
| 5A (BD) | 02,03,04, 05,06 | BD- 2 PMF 6 - 7 C7001 BD- 2 RMFS- 7 C7001 | BD- 2 AFMM- 7 L6A XX * BD- 2 AFMM- 7 R7A XX * BD- 2 BFMM- 7 L7A XX * BD- 2 BFMM- 7 R6A XX * | BD- 2 BFMA- 7 L7001 |
| 10A (BB) | 02,03 | BB- 2 PMF 6 - 7 C7001 BB- 2 RMFS- 7 C7001 | BB- 2 AFMM- 7 L6A XX * BB- 2 AFMM- 7 R7A XX * BB- 2 BFMM- 7 L7A XX * BB- 2 BFMM- 7 R6A XX * | BB- 2 BFMA- 7 L7001 |
| 5A+2A (BDU) | 08 (2+6) | BDU-08PMF 6 - 7 C7001 BDU-08RMFS- 7 C7001 | BDU-08AFMM- 7 L6A XX * BDU-08AFMM- 7 R7A XX * BDU-08BFMM- 7 L7A XX * | BDU-08BFMA- 7 L7001 |
| 10A+5A (BBD) | 06 (2+4) | BBD-06PMF 6 - 7 C7001 BBD-06RMFS- 7 C7001 | BBD-06AFMM- 7 L6A XX * BBD-06AFMM- 7 R7A XX * BBD-06BFMM- 7 L7A XX * BBD-06BFMM- 7 R6A XX * | BBD-06BFMA- 7 L7001 |

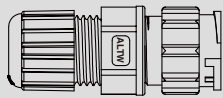
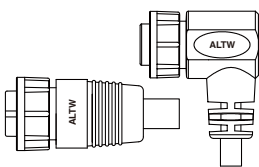
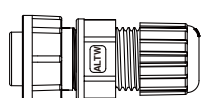
* ~~XX~~: Choose the cable length from 01~99m

▾ Middle Size: 13/16"-28 UNS > In-line

| | | | | |
|--|-----------------------|--|--|--|
| <ul style="list-style-type: none"> • Male Connector (Housing) • Male Contacts • 2 Points Lock Bayonet | | <p>Overmolded with Cable →</p>  | <p>Overmolded with Cable →</p>  | <p>Field Installable</p>  |
| Current Rating (Code) | Contacts 2 | Male Connector (M) Male Contacts (M) | Female Connector (F) Female Contacts (F) | Female Connector (F) Female Contacts (F) |
| 5A (CD) | 07,08,09, 10,12,14 | CD- 2 AMMM-LL7A ^{XX} * CD- 2 BMMM-LL6A ^{XX} * | CD- 2 AFFM-LL7A ^{XX} * CD- 2 BFFM-LL6A ^{XX} * CD- 2 AFFM-LR7A ^{XX} * | CD- 2 BFFA-LL7001 |

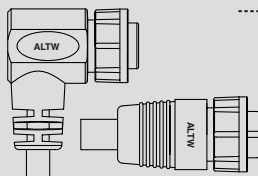
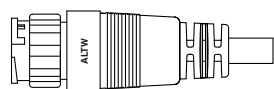
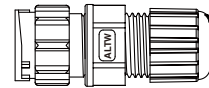
* XX: Choose the cable length from 01-99m

▾ Middle Size: 13/16"-28 UNS > In-line

| | | | | |
|--|-----------------------|---|--|---|
| <ul style="list-style-type: none"> • Male Connector (Housing) • Male Contacts • 2 Points Lock Bayonet | | <p>Field Installable →</p>  | <p>Overmolded with Cable →</p>  | <p>Field Installable</p>  |
| Current Rating (Code) | Contacts 2 | Male Connector (M) Male Contacts (M) | Female Connector (F) Female Contacts (F) | Female Connector (F) Female Contacts (F) |
| 5A (CD) | 07,08,09, 10,12,14 | CD- 2 BMMA-LL7001 | CD- 2 AFFM-LL7A ^{XX} * CD- 2 AFFM-LR7A ^{XX} * CD- 2 BFFM-LL6A ^{XX} * | CD- 2 BFFA-LL7001 |

* XX: Choose the cable length from 01-99m

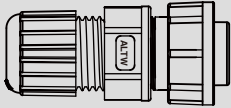
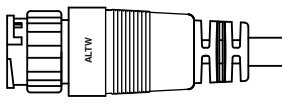
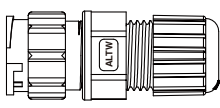
▾ Middle Size: 13/16"-28 UNS > In-line

| | | | | |
|--|-----------------------|--|---|--|
| <ul style="list-style-type: none"> • Female Connector (Housing) • Female Contacts • 2 Points Lock Bayonet | | <p>Overmolded with Cable →</p>  | <p>Overmolded with Cable →</p>  | <p>Field Installable</p>  |
| Current Rating (Code) | Contacts 2 | Female Connector (F) Female Contacts (F) | Male Connector (M) Male Contacts (M) | Male Connector (M) Male Contacts (M) |
| 5A (CD) | 07,08,09, 10,12,14 | CD- 2 AFFM-LL7A ^{XX} * CD- 2 AFFM-LR7A ^{XX} * CD- 2 BFFM-LL6A ^{XX} * | CD- 2 AMMM-LL7A ^{XX} * CD- 2 BMMM-LL6A ^{XX} * | CD- 2 BMMA-LL7001 |

* XX: Choose the cable length from 01-99m

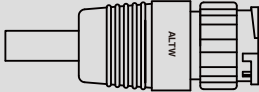
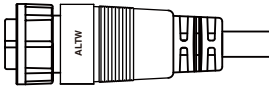
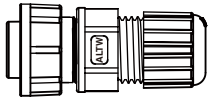
[Note] Design and specification are subject to change without notice.

∨ Middle Size: 13/16"-28 UNS > In-line

| | | | | |
|--|-----------------------|--|---|--|
| <ul style="list-style-type: none"> • Female Connector (Housing) • Female Contacts • 2 Points Lock Bayonet | | Field Installable  | Overmolded with Cable  | Field Installable  |
| Current Rating (Code) | Contacts 2 | Female Connector (F) Female Contacts (F) | Male Connector (M) Male Contacts (M) | Male Connector (M) Male Contacts (M) |
| 5A (CD) | 07,08,09, 10,12,14 | CD- 2 BFFA-LL7001 | CD- 2 AMMM-LL7A ^{XX} * CD- 2 BMMM-LL6A ^{XX} * | CD- 2 BMMA-LL7001 |

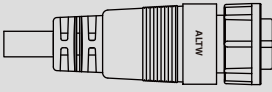
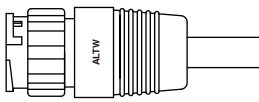
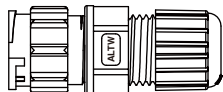
* XX: Choose the cable length from 01~99m

∨ Middle Size: 13/16"-28 UNS > In Line

| | | | | |
|--|------------|---|---|---|
| <ul style="list-style-type: none"> • Male Connector (Housing) • Female Contacts • 2 Points Lock Bayonet | | Overmolded with Cable  | Overmolded with Cable  | Field Installable  |
| Current Rating (Code) | Contacts 2 | Male Connector (M) Female Contacts (F) | Female Connector (F) Male Contacts (M) | Female Connector (F) Male Contacts (M) |
| 5A (CD) | 07,08,09 | CD- 2 AMFM-LL7A ^{XX} * CD- 2 BMFM-LL6A ^{XX} * | CD- 2 AFMM-LL7A ^{XX} * CD- 2 BFMM-LL6A ^{XX} * | CD- 2 BFMA-LL7001 |

* XX: Choose the cable length from 01~99m

∨ Middle Size: 13/16"-28 UNS > In Line

| | | | | |
|--|------------|--|---|--|
| <ul style="list-style-type: none"> • Female Connector (Housing) • Male Contacts • 2 Points Lock Bayonet | | Overmolded with Cable  | Overmolded with Cable  | Field Installable  |
| Current Rating (Code) | Contacts 2 | Female Connector (F) Male Contacts (M) | Male Connector (M) Female Contacts (F) | Male Connector (M) Female Contacts (F) |
| 5A (CD) | 07,08,09 | CD- 2 AFMM-LL7A ^{XX} * CD- 2 BFMM-LL6A ^{XX} * | CD- 2 AMFM-LL7A ^{XX} * CD- 2 BMFM-LL6A ^{XX} * | CD- 2 BMFA-LL7001 |

* XX: Choose the cable length from 01~99m

∨ Middle Size: 13/16"-28 UNS > Receptacle and Mating Pair

| <ul style="list-style-type: none"> • Male Connector (Housing) • Male Contacts • Screw Thread & 2 Points Lock Bayonet | | <p>Receptacle</p> <p>Front Fastened Rear Fastened</p> <p>7 Screw Thread (S)</p> <p>7 2 Points Lock Bayonet (L)</p> <p>6 Choose PCB (P/R) or Solder Type (S)</p> | <p>Overmolded with Cable</p> <p>7 Screw Thread (S)</p> <p>7 2 Points Lock Bayonet (L)</p> <p>** Select cable length from 01-99m</p> | <p>Field Installable</p> <p>7 Choose 2 Points Lock Bayonet (L) or Screw Thread (S)</p> |
|---|-----------------------|--|---|--|
| Current Rating (Code) | Contacts 2 | Male Connector (M) Male Contacts (M) | Female Connector (F) Female Contacts (F) | Female Connector (F) Female Contacts (F) |
| 2A (CU) | 18 | CU-18PMMP-7 C7001 CU-18PMMP-SC7002 | CU-18AFFM-7 L7A XX * CU-18BFFM-7 L6A XX * | CU-18BFFA-7 L7001 |
| 5A (CD) | 07,08,09, 10,12,14 | CD- 2 PMM 6 - 7 C7001 CD- 2 RMMS- 7 C7001 | CD- 2 AFFM- 7 L7A XX * CD- 2 BFFM- 7 L6A XX * CD- 2 AFFM-LR7A XX * | CD- 2 BFFA- 7 L7001 |
| 10A (CB) | 04,05,06 | CB- 2 PMM 6 - 7 C7001 CB- 2 RMMS- 7 C7001 | CB- 2 AFFM- 7 L7A XX * CB- 2 BFFM- 7 L6A XX * | CB- 2 BFFA- 7 L7001 |
| 10A+5A (CBD) | 08 (2+6) | CBD-08PMM 6 - 7 C7001 | CBD-08AFFM- 7 L7A XX * CBD-08BFFM- 7 L6A XX * | CBD-08BFFA- 7 L7001 |
| 20A (CC) | 03 | CC-03PMM 6 - 7 C7001 CC-03RMMS- 7 C7001 | CC-03AFFM- 7 L7A XX * CC-03BFFM- 7 L6A XX * | CC-03BFFA- 7 L7001 |

* XX: Choose the cable length from 01-99m

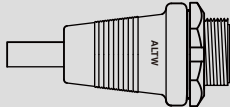
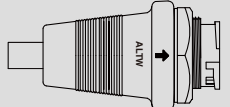
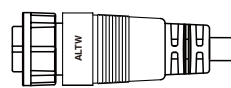
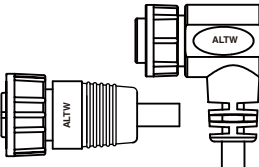
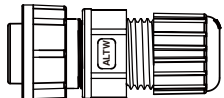
【Note】 Design and specification are subject to change without notice.

Middle Size: 13/16"-28 UNS

Receptacle with Overmolded Cable and Mating Pair
Screw Thread & 2 Points Lock Bayonet

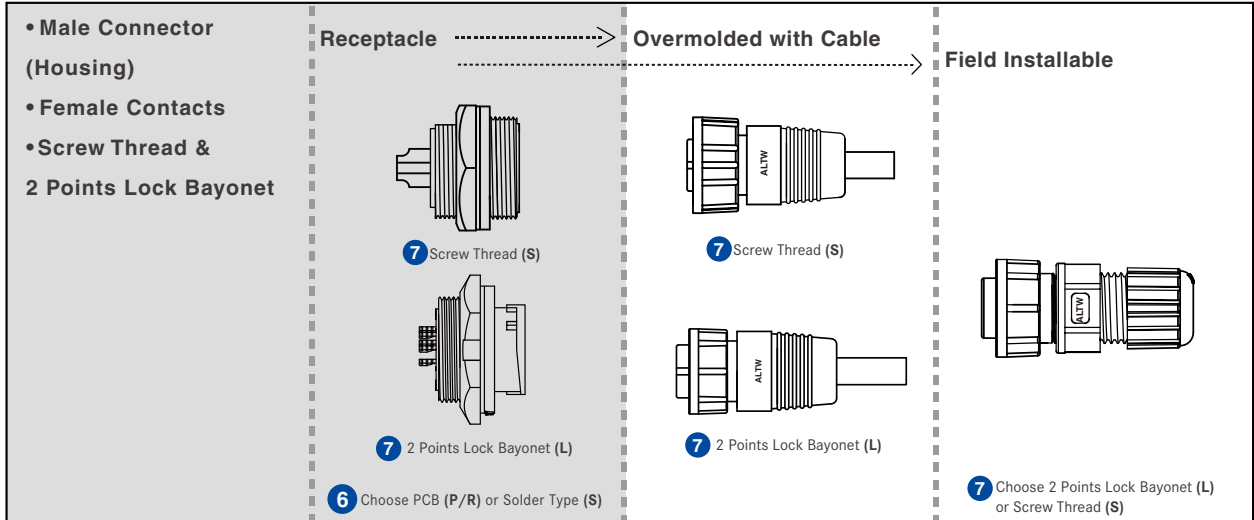
IP 66 ~ 68 9
Unmated or Mated

▾ Middle Size: 13/16"-28 UNS > Receptacle with Overmolded Cable and Mating Pair

| | | | | | |
|---|-------------------|--|---|---|--|
| <ul style="list-style-type: none"> • Male Connector (Housing) • Male Contacts • Screw Thread & 2 Points Lock Bayonet | | <p>Receptacle</p>  <p>7 Screw Thread (S)</p>  <p>7 2 Points Lock Bayonet (L)</p> | <p>Overmolded with Cable</p>  <p>7 Screw Thread (S)</p>  <p>7 2 Points Lock Bayonet (L)</p> | | <p>Field Installable</p>  <p>7 Choose 2 Points Lock Bayonet (L) or Screw Thread (S)</p> |
| | | <p>Current Rating (Code)</p> | <p>Contacts 2</p> | <p>Male Connector (M) Male Contacts (M)</p> | <p>Female Connector (F) Female Contacts (F)</p> |
| 5A (CD) | 07,08,09,10,12,14 | CD- 2 PMMM- 7 L7A ^{XX} * | CD- 2 AFFM- 7 L7A ^{XX} * CD- 2 BFFM- 7 L6A ^{XX} * CD- 2 AFFM-LR7A ^{XX} * | CD- 2 BFFA- 7 L7001 | |
| 10A (CB) | 04,05,06 | CB- 2 PMMM- 7 L7A ^{XX} * | CB- 2 AFFM- 7 L7A ^{XX} * CB- 2 BFFM- 7 L6A ^{XX} * | CB- 2 BFFA- 7 L7001 | |
| 20A (CC) | 03 | CC-03PMMM-SL7A ^{XX} * | CC-03AFFM-SL7A ^{XX} * CC-03BFFM-SL6A ^{XX} * | CC-03BFFA-SL7001 | |

* XX: Choose the cable length from 01~99m

∟ Middle Size: 13/16"-28 UNS > Receptacle and Mating Pair



| Current Rating (Code) | Contacts 2 | Male Connector (M) Female Contacts (F) | Female Connector (F) Male Contacts (M) | Female Connector (F) Male Contacts (M) |
|-----------------------|------------------------|--|--|---|
| 5A (CD) | 07,08,09 | CD- 2 PMF 6 - 7 C7001 CD- 2 RMFS- 7 C7001 | CD- 2 AFMM- 7 L7A _{XX} * CD- 2 BFMM- 7 L6A _{XX} * | CD- 2 BFMA- 7 L7001 |
| 5A+2A (CDU) | 12 (2+10) 14 (2+12) | CDU- 2 PMF 6 - 7 C7001 | CDU- 2 AFMM- 7 L7A _{XX} * CDU- 2 BFMM- 7 L6A _{XX} * CDU- 2 BFMM- 7 L7A _{XX} * | CDU- 2 BFMA- 7 L7001 |
| 10A (CB) | 04,05 | CB- 2 PMF 6 - 7 C7001 CB- 2 RMFS- 7 C7001 | CB- 2 AFMM- 7 L7A _{XX} * CB- 2 BFMM- 7 L6A _{XX} * | CB- 2 BFMA- 7 L7001 |
| 10A+5A (CBD) | 08 (2+6) | CBD-08PMF 6 - 7 C7001 | CBD-08AFMM- 7 L7A _{XX} * CBD-08BFMM- 7 L6A _{XX} * | CBD-08BFMA- 7 L7001 |
| 20A (CC) | 02 | CC-02PMFS- LC7001 | CC-02AFMM- LL7A _{XX} * | CC-02BFMA-LL7001 |

* XX: Choose the cable length from 01~99m

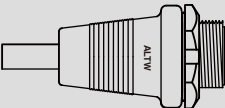
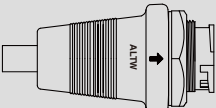
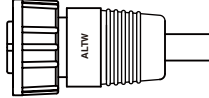
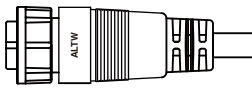
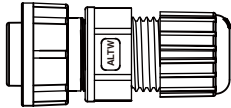
【Note】 Design and specification are subject to change without notice.

Middle Size: 13/16"-28 UNS

Receptacle with Overmolded Cable and Mating Pair
Screw Thread & 2 Points Lock Bayonet

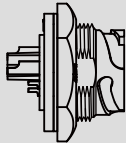
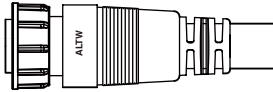
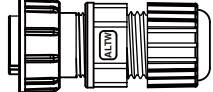
IP 66 ~ 68 9
Unmated or Mated

▾ Middle Size: 13/16"-28 UNS > Receptacle with Overmolded Cable and Mating Pair

| | | | | |
|---|------------|--|--|--|
| <ul style="list-style-type: none"> • Male Connector (Housing) • Female Contacts • Screw Thread & 2 Points Lock Bayonet | | <p>Receptacle</p>  <p>7 Screw Thread (S)</p>  <p>7 2 Points Lock Bayonet (L)</p> | <p>Overmolded with Cable</p>  <p>7 Screw Thread (S)</p>  <p>7 2 Points Lock Bayonet (L)</p> | <p>Field Installable</p>  <p>7 Choose 2 Points Lock Bayonet (L) or Screw Thread (S)</p> |
| | | <p>Male Connector (M) Female Contacts (F)</p> | <p>Female Connector (F) Male Contacts (M)</p> | <p>Female Connector (F) Male Contacts (M)</p> |
| Current Rating (Code) | Contacts 2 | | | |
| 5A (CD) | 07,08,09 | CD- 2 PMFM- 7 L7A XX * | CD- 2 AFMM- 7 L7A XX * CD- 2 BFMM- 7 L6A XX * | CD- 2 BFMA- 7 L7001 |
| 10A (CB) | 04,05 | CB- 2 PMFM- 7 L7A XX * | CB- 2 AFMM- 7 L7A XX * CB- 2 BFMM- 7 L6A XX * | CB- 2 BFMA- 7 L7001 |

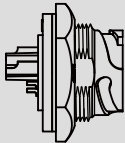
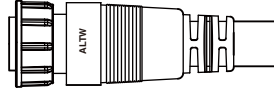
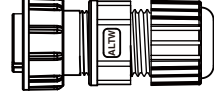
* XX: Choose the cable length from 01~99m

➤ Middle Size: 13/16"-28 UNS > Receptacle and Mating Pair

| <ul style="list-style-type: none"> • Male Connector (Housing) • Female Power+Male Signal • 3 Points Lock Bayonet | | <p>Receptacle</p>  | <p>Overmolded with Cable</p>  | <p>Field Installable</p>  |
|---|----------|---|---|--|
| Current Rating (Code) | Contacts | Male Connector (M) Female Power+Male Signal (D) | Female Connector (F) Male Power+Female Signal (E) | Female Connector (F) Male Power+Female Signal (E) |
| 10A+2A (CBU) | (3+5) | CBU-08PMDS-TC7001 | CBU-08AFEM-TL7A ^{XX} * | CBU-08BFEA-TL7001 |

* XX: Choose the cable length from 01~99m

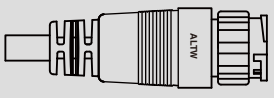
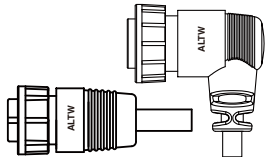
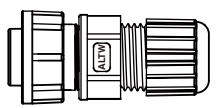
➤ Middle Size: 13/16"-28 UNS > Receptacle and Mating Pair

| <ul style="list-style-type: none"> • Male Connector (Housing) • Male Power+Female Signal • 3 Points Lock Bayonet | | <p>Receptacle</p>  | <p>Overmolded with Cable</p>  | <p>Field Installable</p>  |
|---|----------|--|---|--|
| Current Rating (Code) | Contacts | Male Connector (M) Male Power+Female Signal (E) | Female Connector (F) Female Power+Male Signal (D) | Female Connector (F) Female Power+Male Signal (D) |
| 10A+2A (CBU) | (3+5) | CBU-08PMES-TC7001 | CBU-08AFDM-TL7A ^{XX} * | CBU-08BFDA-TL7001 |

* XX: Choose the cable length from 01~99m

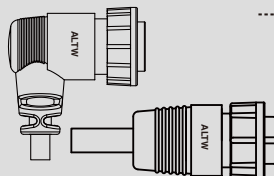


【Note】 Design and specification are subject to change without notice.

Large Size: 1"-20 UNEF > In-line

| | | | | |
|--|----------|--|---|--|
| <ul style="list-style-type: none"> • Male Connector (Housing) • Male Contacts • 2 Points Lock Bayonet | | <p>Overmolded with Cable →</p>  | <p>Overmolded with Cable →</p>  | <p>Field Installable</p>  |
| Current Rating (Code) | Contacts | Male Connector (M) Male Contacts (M) | Female Connector (F) Female Contacts (F) | Female Connector (F) Female Contacts (F) |
| 5A (DD) | 18 | DD-18AMMM-LL7A ^{XX} * DD-18BMMM-LL6A ^{XX} * | DD-18AFFM-LL7A ^{XX} * DD-18AFFM-LR7A ^{XX} * DD-18BFFM-LL6A ^{XX} * | DD-18BFFA-LL7001 |

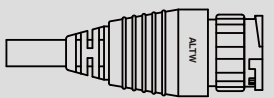
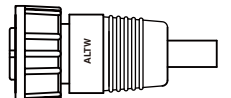
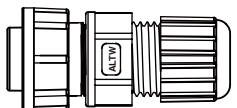
* XX: Choose the cable length from 01~99m

Large Size: 1"-20 UNEF > In-line

| | | | | |
|--|----------|---|---|---|
| <ul style="list-style-type: none"> • Female Connector (Housing) • Female Contacts • 2 Points Lock Bayonet | | <p>Overmolded with Cable →</p>  | <p>Overmolded with Cable →</p>  | <p>Field Installable</p>  |
| Current Rating (Code) | Contacts | Female Connector (F) Female Contacts (F) | Male Connector (M) Male Contacts (M) | Male Connector (M) Male Contacts (M) |
| 5A (DD) | 18 | DD-18AFFM-LL7A ^{XX} * DD-18AFFM-LR7A ^{XX} * DD-18BFFM-LL6A ^{XX} * | DD-18AMMM-LL7A ^{XX} * DD-18BMMM-LL6A ^{XX} * | DD-18BMMA-LL7001 |

* XX: Choose the cable length from 01~99m

Large Size: 1"-20 UNEF > In-line

| | | | | |
|--|----------|--|--|--|
| <ul style="list-style-type: none"> • Male Connector (Housing) • Female Contacts • 2 Points Lock Bayonet | | <p>Overmolded with Cable →</p>  | <p>Overmolded with Cable →</p>  | <p>Field Installable</p>  |
| Current Rating (Code) | Contacts | Male Connector (M) Female Contacts (F) | Female Connector (F) Male Contacts (M) | Female Connector (F) Male Contacts (M) |
| 5A (DD) | 18 | DD-18AMFM-LL7A ^{XX} * DD-18BMFM-LL6A ^{XX} * | DD-18AFMM-LL7A ^{XX} * DD-18BFMM-LL6A ^{XX} * | DD-18BFMA-LL7001 |

* XX: Choose the cable length from 01~99m

↘ Large Size: 1"-20 UNEF > In-line

| | | | | |
|--|----------|--|--|---|
| <ul style="list-style-type: none"> • Female Connector (Housing) • Male Contacts • 2 Points Lock Bayonet | | Overmolded with Cable | Overmolded with Cable | Field Installable |
| | | | | |
| Current Rating (Code) | Contacts | Female Connector (F) Male Contacts (M) | Male Connector (M) Female Contacts (F) | Male Connector (M) Female Contacts (F) |
| 5A (DD) | 18 | DD-18AFMM-LL7A ^{XX} * DD-18BFMM-LL6A ^{XX} * | DD-18AMFM-LL7A ^{XX} * DD-18BMFM-LL6A ^{XX} * | DD-18BMFA-LL7001 |

* XX: Choose the cable length from 01~99m

↘ Large Size: 1"-20 UNEF > In-line

| | | | | |
|---|----------|--|--|--|
| <ul style="list-style-type: none"> • Male Connector (Housing) • Female Power+Male Signal • 2 Points Lock Bayonet | | Overmolded with Cable | Overmolded with Cable | Field Installable |
| | | | | |
| Current Rating (Code) | Contacts | Male Connector (M) Female Power+Male Signal (D) | Female Connector (F) Male Power+Female Signal (E) | Female Connector (F) Male Power+Female Signal (E) |
| 20A+2A (DCU) | (3+5) | DCU-08AMDMD-LL7B ^{XX} * | DCU-08AFEM-LL7B ^{XX} * | DCU-08BFEM-LL7001 |
| 20A+5A (DCD) | (3+9) | DCD-12AMDMD-LL7A ^{XX} * | DCD-12AFEM-LL7A ^{XX} * DCD-12AFEM-LR7A ^{XX} * | DCD-12BFEM-LL7001 |

* XX: Choose the cable length from 01~99m

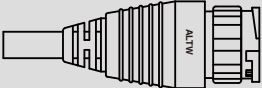
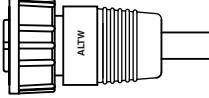
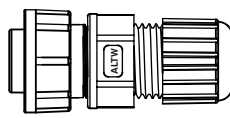
↘ Large Size: 1"-20 UNEF > In-line

| | | | | |
|---|----------|--|--|--|
| <ul style="list-style-type: none"> • Male Connector (Housing) • Female Power+Male Signal • 2 Points Lock Bayonet | | Field Installable | Overmolded with Cable | Field Installable |
| | | | | |
| Current Rating (Code) | Contacts | Male Connector (M) Female Power+Male Signal (D) | Female Connector (F) Male Power+Female Signal (E) | Female Connector (F) Male Power+Female Signal (E) |
| 20A+2A (DCU) | (3+5) | DCU-08BMDD-LL7001 | DCU-08AFEM-LL7B ^{XX} * | DCU-08BFEM-LL7001 |
| 20A+5A (DCD) | (3+9) | DCD-12BMDD-LL7001 | DCD-12AFEM-LL7A ^{XX} * DCD-12AFEM-LR7A ^{XX} * | DCD-12BFEM-LL7001 |

* XX: Choose the cable length from 01~99m


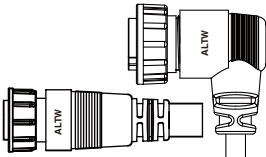
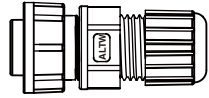
[Note] Design and specification are subject to change without notice.

Large Size: 1"-20 UNEF > In-line

| <ul style="list-style-type: none"> • Male Connector (Housing) • Male Power+Female Signal • 2 Points Lock Bayonet | | Overmolded with Cable | Overmolded with Cable | Field Installable |
|---|----------|---|---|---|
| | |  |  |  |
| Current Rating (Code) | Contacts | Male Connector (M) Male Power+Female Signal (E) | Female Connector (F) Female Power+Male Signal (D) | Female Connector (F) Female Power+Male Signal (D) |
| 20A+2A (DCU) | (3+5) | DCU-08AMEM-LL7BXX* | DCU-08AFDM-LL7BXX* | DCU-08BFDA-LL7001 |
| 20A+5A (DCD) | (3+9) | DCD-12AMEM-LL7AXX* | DCD-12AFDM-LL7AXX* DCD-12AFDM-LR7AXX* | DCD-12BFDA-LL7001 |

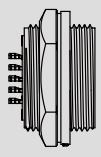
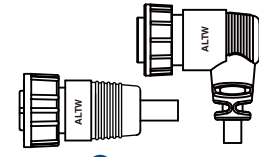
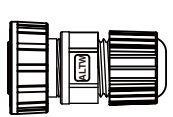
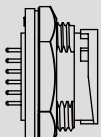
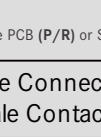
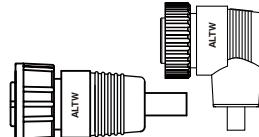
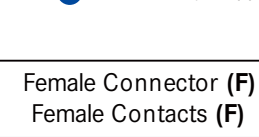

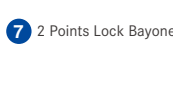
* XX: Choose the cable length from 01~99m

Large Size: 1"-20 UNEF > In-line

| <ul style="list-style-type: none"> • Male Connector (Housing) • Male Power+Female Signal • 2 Points Lock Bayonet | | Field Installable | Overmolded with Cable | Field Installable |
|---|----------|--|--|--|
| | |  |  |  |
| Current Rating (Code) | Contacts | Male Connector (M) Male Power+Female Signal (E) | Female Connector (F) Female Power+Male Signal (D) | Female Connector (F) Female Power+Male Signal (D) |
| 20A+2A (DCU) | (3+5) | DCU-08BMEA-LL7001 | DCU-08AFDM-LL7BXX* | DCU-08BFDA-LL7001 |
| 20A+5A (DCD) | (3+9) | DCD-12BMEA-LL7001 | DCD-12AFDM-LL7AXX* DCD-12AFDM-LR7AXX* | DCD-12BFDA-LL7001 |

* XX: Choose the cable length from 01~99m

Large Size: 1"-20 UNEF > Receptacle and Mating Pair

| <ul style="list-style-type: none"> • Male Connector (Housing) • Male Contacts • Screw Thread & 2 Points Lock Bayonet | | Receptacle  | Overmolded with Cable  | Field Installable  |
|---|-----------------------|--|---|---|
| | |  7 Screw Thread (S)  7 2 Points Lock Bayonet (L) 6 Choose PCB (P/R) or Solder Type (S) |  7 Screw Thread (S)  7 2 Points Lock Bayonet (L) |  7 Screw Thread (S)  7 2 Points Lock Bayonet (L) |
| Current Rating (Code) | Contacts 2 | Male Connector (M) Male Contacts (M) | Female Connector (F) Female Contacts (F) | Female Connector (F) Female Contacts (F) |
| 2A (DU) | 20,21,22** | DU-2 PMM 6-7 C7001 | DU-2 AFFM-7 L7AXX* DU-2 BFFM-7 L6AXX* | - |
| 5A (DD) | 18 | DD-18PMM 6-7 C7001 DD-18RMMS-7 C7001 | DD-18AFFM-7 L7AXX* DD-18AFFM-7 R7AXX* DD-18BFFM-7 L6AXX* | DD-18BFFA-7 L7001 |
| 20A (DC) | 02,03,04, 05,06,07 | DC-2 PMM 6-7 C7001 DC-2 PMM 6-7 S7001 DC-2 RMMS-7 C7001 | DC-2 AFFM-7 L7AXX* DC-2 BFFM-7 L6AXX* | DC-2 BFFA-7 L7001 DC-02BFFB-7 L7001 |

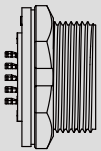
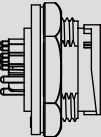
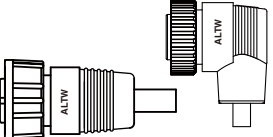
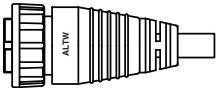

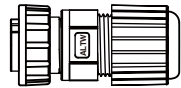
* XX: Choose the cable length from 01~99m
 ** The specification of 22 contacts is upon request.

[Note] Design and specification are subject to change without notice.

Large Size: 1"-20 UNEF

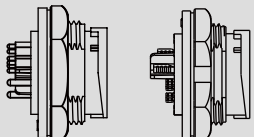
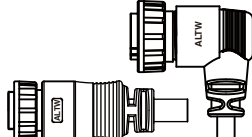
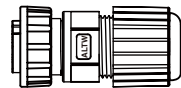
Receptacle and Mating Pair
Screw Thread & 2 Points Lock Bayonet

↘ **Large Size: 1"-20 UNEF > Receptacle and Mating Pair**

| | | | | |
|---|-------|---|---|---|
| <ul style="list-style-type: none"> • Male Connector (Housing) • Female Contacts • Screw Thread & 2 Points Lock Bayonet | | <p>Receptacle</p>  <p>7 Screw Thread (S)</p>  <p>7 2 Points Lock Bayonet (L)</p> <p>6 Choose PCB (P/R) or Solder Type (S)</p> | <p>Overmolded with Cable</p>  <p>7 Screw Thread (S)</p>  <p>7 2 Points Lock Bayonet (L)</p> | <p>Field Installable</p>  <p>7 Screw Thread (S)</p>  <p>7 2 Points Lock Bayonet (L)</p> |
| | | <p>Current Rating (Code)</p> <p>Contacts 2</p> <p>Male Connector (M) Female Contacts (F)</p> | <p>Female Connector (F) Male Contacts (M)</p> | <p>Female Connector (F) Male Contacts (M)</p> |
| 5A (DD) | 18 | DD-18PMF 6 - 7 C7001 DD-18PMF 6 - 7 S7001 DD-18RMFS - 7 C7001 | DD-18AFMM- 7 L7A _{XX} * DD-18BFMM- 7 L6A _{XX} * | DD-18BFMA- 7 L7001 |
| 5A (DSD) *Metal | 18 | DSD-18PMF 6 - SS8001 DSD-18PMF 6 - SS8002 | DSD-18BFMM-SL6A _{XX} * DSD-18BFMM-SR6A _{XX} * | - |
| 20A (DC) | 02,03 | DC- 2 PMFP- 7 C7001 | DC- 2 AFMM- 7 L7A _{XX} * DC- 2 BFMM- 7 L6A _{XX} * | DC- 2 BFMB- 7 L7001 |

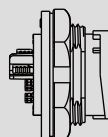
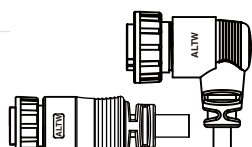
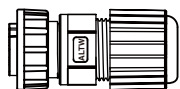
* XX: Choose the cable length from 01~99m

↘ Large Size: 1"-20UNEF > Receptacle and Mating Pair

| <ul style="list-style-type: none"> • Male Connector (Housing) • Female Power+Male Signal • 2 Points Lock Bayonet | | <p>Receptacle</p>  <p>PCB (P/R) Type Solder Type (S)</p> <p>6 Choose PCB (P/R) or Solder Type (S)</p> | <p>Overmolded with Cable</p>  | <p>Field Installable</p>  |
|---|----------|---|---|--|
| Current Rating (Code) | Contacts | Male Connector (M) Female Power+Male Signal (D) | Female Connector (F) Male Power+Female Signal (E) | Female Connector (F) Male Power+Female Signal (E) |
| 20A+2A (DCU) | (3+5) | DCU-08PMDS-LC700 1 | DCU-08AFEM-LL7BXX* | DCU-08BFEA-LL700 1 |
| 20A+5A (DCD) | (3+9) | DCD-12PMD 6 -LC700 1 | DCD-12AFEM-LL7AXX* DCD-12AFEM-LR7AXX* | DCD-12BFEA-LL700 1 |

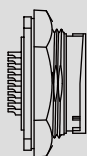
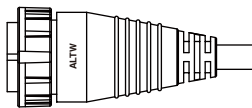
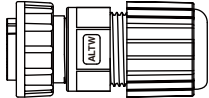
* XX: Choose the cable length from 01~99m

↘ Large Size: 1"-20 UNEF > Receptacle and Mating Pair

| <ul style="list-style-type: none"> • Male Connector (Housing) • Male Power+Female Signal • 2 Points Lock Bayonet | | <p>Receptacle</p>  | <p>Overmolded with Cable</p>  | <p>Field Installable</p>  |
|---|----------|--|---|---|
| Current Rating (Code) | Contacts | Male Connector (M) Male Power+Female Signal (E) | Female Connector (F) Female Power+Male Signal (D) | Female Connector (F) Female Power+Male Signal (D) |
| 20A+2A (DCU) | (3+5) | DCU-08PMES-LC700 1 | DCU-08AFDM-LL7BXX* | DCU-08BFDA-LL700 1 |
| 20A+5A (DCD) | (3+9) | DCD-12PMES-LC700 1 | DCD-12AFDM-LL7AXX* DCD-12AFDM-LR7AXX* | DCD-12BFDA-LL700 1 |

* XX: Choose the cable length from 01~99m

↘ Macro Size: 1 3/16"-20 UNS > Receptacle and Mating pair

| <ul style="list-style-type: none"> • Male Connector (Housing) • Female Contacts • 2 Points Lock Bayonet | | <p>Receptacle</p>  <p>6 Choose PCB (P) or Solder Type (S)</p> | <p>Overmolded with Cable</p>  | <p>Field Installable</p>  |
|--|----------|--|---|--|
| Current Rating (Code) | Contacts | Male Connector (M) Female Contacts (F) | Female Connector (F) Male Contacts (M) | Female Connector (F) Male Contacts (M) |
| 5A (ED) | 31 | ED-31PMF 6 -LS700 1 | ED-31AFMM-LL7AXX* | - |

* XX: Choose the cable length from 01~99m

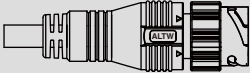
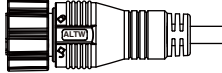
[Note] Design and specification are subject to change without notice.

Other Size

In-line
2 & 3 Points Lock Bayonet



IP 66 ~ 68 9
Unmated or Mated

∟ **Other Size > In-line**

| <ul style="list-style-type: none"> • Male Connector (Housing) • Female Power+Male Signal • 3 Points Lock Bayonet | | Receptacle  | Overmolded with Cable  | Field Installable |
|---|----------|--|---|---|
| Current Rating (Code) | Contacts | Male Connector (M) Male Contacts (M) | Female Connector (F) Female Contacts (F) | Female Connector (F) Female Contacts (F) |
| 5A (GBD) | 08 | GBD-08AMMM-TL8A ^{XX} * GBD-08BMMM-TL7A ^{XX} * | GBD-08AFFM-TL8A ^{XX} * GBD-08BFFM-TL7A ^{XX} * | - |

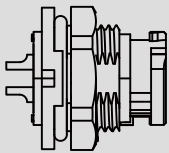
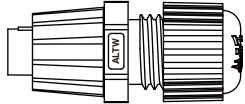
* XX: Choose the cable length from 01~99m

∟ **Other Size > In-line**

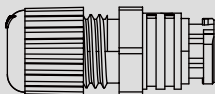
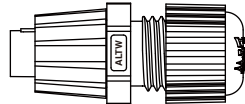
| <ul style="list-style-type: none"> • Male Connector (Housing) • Female Power+Male Signal • 2 Points Lock Bayonet | | Receptacle  | Overmolded with Cable  | Field Installable |
|---|----------|--|---|---|
| Current Rating (Code) | Contacts | Male Connector (M) Female Contacts (F) | Female Connector (F) Male Contacts (M) | Female Connector (F) Male Contacts (M) |
| 10A (MAB) | 04 | MAB-04AMFM-LL7A ^{XX} * MAB-04BMFM-LL6A ^{XX} * | MAB-04AFMM-LL7A ^{XX} * MAB-04BFMM-LL6A ^{XX} * | - |

* XX: Choose the cable length from 01~99m

Other Size > Receptacle and Mating Pair

| | | | | |
|--|-------------------|--|---|---|
| <ul style="list-style-type: none"> • Male Connector (Housing) • Female Contacts • Push Lock | | Receptacle  | Field Installable  | Field Installable |
| Current Rating (Code) | Contacts 2 | Male Connector (M) Female Contacts (F) | Female Connector (F) Male Contacts (M) | Female Connector (F) Male Contacts (M) |
| 5A (PLD) | 02,03,04 | PLD- 2 PMFS-QC7001 | PLD- 2 BFMA-QL7001 | - |

Other Size > In-line

| | | | | |
|--|-------------------|--|--|---|
| <ul style="list-style-type: none"> • Male Connector (Housing) • Female Contacts • Push Lock | | Field Installable  | Field Installable  | Field Installable |
| Current Rating (Code) | Contacts 2 | Male Connector (M) Female Contacts (F) | Female Connector (F) Male Contacts (M) | Female Connector (F) Male Contacts (M) |
| 5A (PLD) | 02,03,04 | PLD- 2 BMFA-QL7001 | PLD- 2 BFMA-QL7001 | - |

【Note】 Design and specification are subject to change without notice.

Amphenol LTW Technology Co., Ltd.

5F-3, No.51, Sec.4, Zhongyang Rd., Tucheng Dist., New Taipei City 236, Taiwan
Telephone: +886-2-77416888 Fax: +886-2-77416999
www.amphenolltw.com

Kunshan Factory

No. 62, DaTong Road, Development Zone, Kunshan City, JiangSu Province, 215333 China
Telephone: +86-512-5761-0501
Fax: : +86-512-5761-0515

For further information, please contact :

Sales & Marketing Department | Email : sales@ltw-tech.com