

DC Fan Motors

Dyna Ace $\phi 172\text{mm}$

Dyna Ace



With a high air flow, it is best suited for large computers and industrial equipment.

General specifications

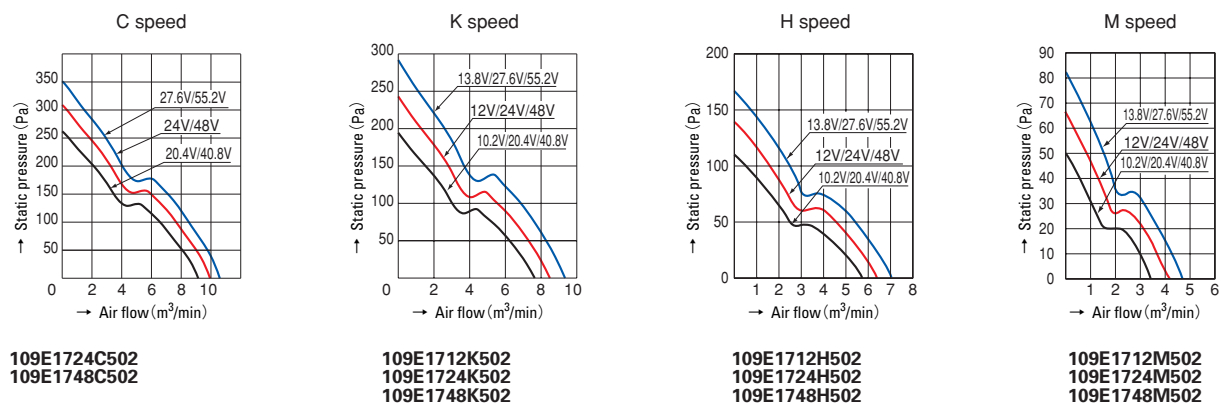
- Motor protection system ····Current cut system (with reverse-connection protection)
- Dielectric strength ······50/60 Hz, 500 VAC, 1 minute
(between lead conductor and frame)
- Operating thermally range -10°C to +60°C (non-condensing)
- Fan power lead ········H and F speeds, ⊕ red, ⊖ black
M speed, ⊕ red, ⊖ blue

51 mm thick (Round shape)

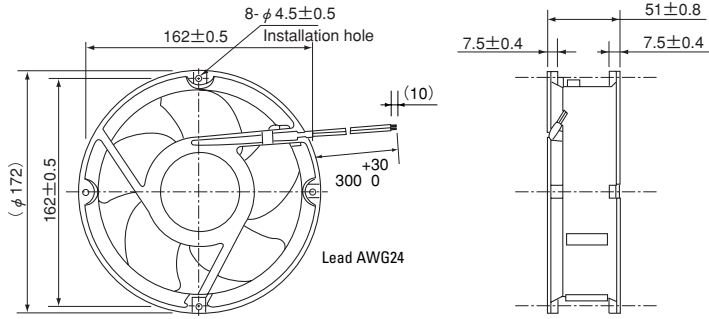
Specifications

Model No	Rated voltage (V)	Operating voltage range (V)	Rated current (A)	Rated input (W)	Rated rotating speed (min ⁻¹)	Air flow (m ³ /min)	Air flow (CFM)	Static pressure (Pa)	Noise (dB[A])	Mass (g)
109E1712K502	12	10.2~13.8	2.9	34.8	4,100	8.5	300	243.0	55	780
109E1712H502			1.2	14.4	3,050	6.4	226	137.2	47	
109E1712M502			0.48	5.76	2,000	4.2	148	67.6	36	
109E1724C502	24	20.4~27.6	2.3	55.2	4,800	9.9	350	308.0	60	
109E1724K502			1.3	31.2	4,100	8.5	300	243.0	55	
109E1724H502			0.58	13.92	3,050	6.4	226	137.2	47	
109E1724M502	48	40.8~55.2	0.2	4.8	2,000	4.2	148	67.6	36	
109E1748C502			1.2	57.6	4,800	9.9	350	308.0	60	
109E1748K502			0.7	33.6	4,100	8.5	300	243.0	55	
109E1748H502	48	40.8~55.2	0.28	13.44	3,050	6.4	226	137.2	47	
109E1748M502			0.11	5.28	2,000	4.2	148	67.6	36	

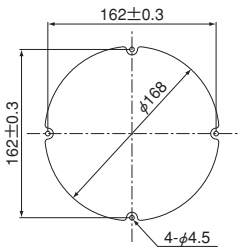
Typical air flow and static pressure characteristics



Dimensions (unit : mm)



Reference dimensional diagram for installation holes (unit : mm)



Notice

- The products shown in the catalog are subject to Japanese Export Control Law. Diversion contrary to the law of exporting country is prohibited.
- To protect against electrolytic cooling corrosion that may occur in locations of strong electromagnetic noise, we provide fans that are unaffected by electrolytic corrosion. Alternative measures to protect against electrolytic corrosion may include metallic finger guards or other metallic attachments. Please contact us for details.