

SDA1 - 20 - 25 - 30

DIN rail 20A, 25A & 30A solid-state relays

DURAKOOL



- High load voltage - up to 480VAC
- 4 ~ 32VDC or 90 ~ 250VAC control voltage
- Single Phase, Zero cross-over switching
- LED control input indicator
- Integrated heatsink
- RoHS Compliant



Output (load)

Load type	SPST-NO (1 N/O) Resistive	
Load current	20A, 25A, 30A	
Load switching voltage	AC V_{rms}	40 - 480V
Maximum peak voltage	AC V_{pk}	900V
Minimum load current	0.1A	
Inrush Current (max.)	10ms	20A: 240A / 25A: 300A / 30A: 380A
I^2t	20A: 288A ² s / 25A: 450A ² s / 30A: 660A ² s	
Switch type	Zero Cross (Consult factory for Random)	
On voltage drop	V AC	1.6V
Leakage current off	mA	≤ 10mA

Input (control)

Control voltage (rated)	V	DC Control: 4 - 32VDC / AC Control: 90 - 250VAC
Control current	mA	< 20mA
Turn-on voltage (min)	V_{min}	DC Control: 3.5VDC / AC Control: 80VAC
Turn-on voltage (max)	V_{max}	DC Control: 35VDC / AC Control: 280VAC
Turn-off voltage	V	DC Control: 2VDC / AC Control: 40VAC

Insulation

Insulation resistance	≤ 500MΩ at 500VDC, 50%RH	
Dielectric strength	V AC	≥ 2500V

General Data

Operating time (typical)	mS	Approximately 1/2 cycle of load frequency + ≤1ms
Release time (typical)	mS	Approximately 1/2 cycle of load frequency + ≤1ms
Dimensions	L x W x H	100 x 48 x 107mm
Weight	approx. 440g	
Ambient temperature	storage	-30 to 100°C (No icing or condensation)
	operating	-30 to 80°C (with derating). (No icing or condensation)
Relative Humidity	45 - 85% RH	

SDA1 - 20 - 25 - 30

DIN rail 20A, 25A & 30A solid-state relays



Ordering Code

S D A 1 Z - 25 K - A

Switch Function

- Z - Zero Crossover
- R - Random

Load Current Rating

- 20 - 20A
- 25 - 25A
- 30 - 30A

Load Voltage

- K - 40 to 480VAC

Control Voltage Input

- A - 90 to 250VAC
- D - 4 to 32VDC

Dimensions

Fig. 1

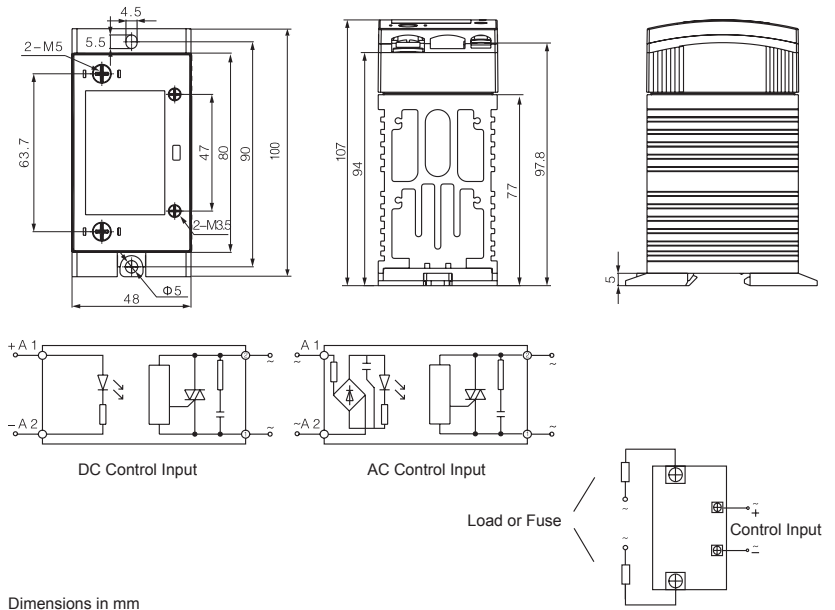


Fig. 2

