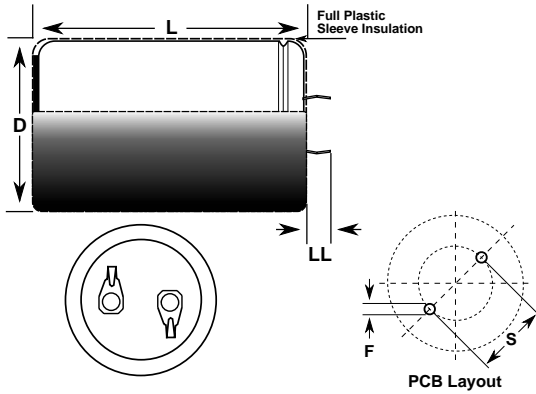


Aluminum Electrolytic, 105C, ELG, 100 uF, 20%, 450 V, -25/+105C



#### Dimensions

Dimension	Value
D	25mm +/-1mm
L	30mm +/-2mm
S	10mm +/-0.5mm
LL	5.8mm +/-1mm
F	2mm +/-0.1mm

#### Packaging Specifications

Packaging:	Bulk
------------	------

#### General Information

Dielectric:	Aluminum Electrolytic
Series:	ELG
Description:	Snap-In, Aluminum Electrolytic
RoHS:	Yes
Lead:	2 Pin

#### Specifications

Capacitance:	100 uF
Capacitance Tolerance:	20%
Voltage DC:	450 VDC, 500 VDC (Surge)
Temperature Range:	-25/+105C
Rated Temperature:	105C
Life:	2000 Hrs
Dissipation Factor:	20% 120Hz 20C
Resistance:	628 mOhms (20kHz)
Current:	600 mAmps (120Hz)
Leakage:	900 uAmps (5min 20C)