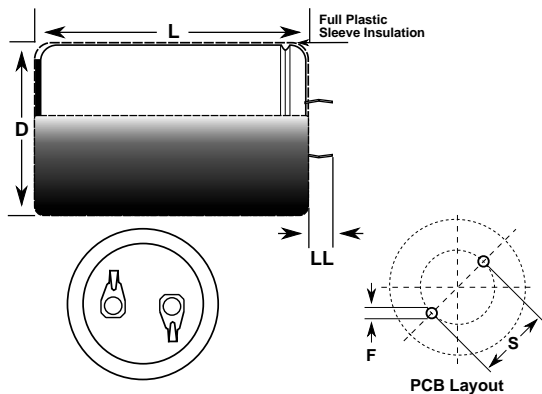


Aluminum Electrolytic, 85C, ELH, 2200 uF, 20%, 100 V, -40/+85C



**Dimensions**

D	25mm +/-1mm
L	40mm +/-2mm
S	10mm +/-0.5mm
LL	5.8mm +/-1mm
F	2mm +/-0.1mm

**Packaging Specifications**

Packaging:	Bulk
Packaging Quantity:	200

**General Information**

Dielectric:	Aluminum Electrolytic
Series:	ELH
Description:	Snap-In, Aluminum Electrolytic
RoHS:	Yes
Lead:	2 Pin

**Specifications**

Capacitance:	2200 uF
Capacitance Tolerance:	20%
Voltage DC:	100 VDC, 125 VDC (Surge)
Temperature Range:	-40/+85C
Rated Temperature:	85C
Life:	2000 Hrs
Dissipation Factor:	25%
Current:	3550 mAmps (120Hz)
Leakage:	3000 uAmps (5min 20C)