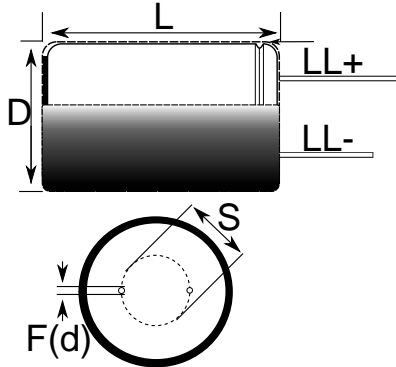


Aluminum Electrolytic, 85C, ESK, 100 uF, 20%, 35 V, -40/+85C, 11mm, Lead Spacing = 2.5mm



Note: '()' correspond to the letters used in the product bulletin

Dimensions	
D	6.3mm +/-0.5mm
L	11mm +1.5mm
S	2.5mm +/-0.5mm
LL Negative	15mm MIN
LL Positive	20mm MIN
F	0.5mm NOM

Packaging Specifications	
Packaging:	Bulk, Bag
Packaging Quantity:	10000

General Information	
Dielectric:	Aluminum Electrolytic
Series:	ESK
Description:	Single Ended, Aluminum Electrolytic
RoHS:	Yes
Lead:	Wire Leads

Specifications	
Capacitance:	100 uF
Capacitance Tolerance:	20%
Voltage DC:	35 VDC, 44 VDC (Surge)
Temperature Range:	-40/+85C
Rated Temperature:	85C
Life:	2000 Hrs
Dissipation Factor:	12% 120Hz 20C
Current:	185 mAmps (120Hz 85C)
Leakage:	35 uAmps (2min 20C)
Impedance Ratio at -25C:	3
Impedance Ratio at -40C:	3